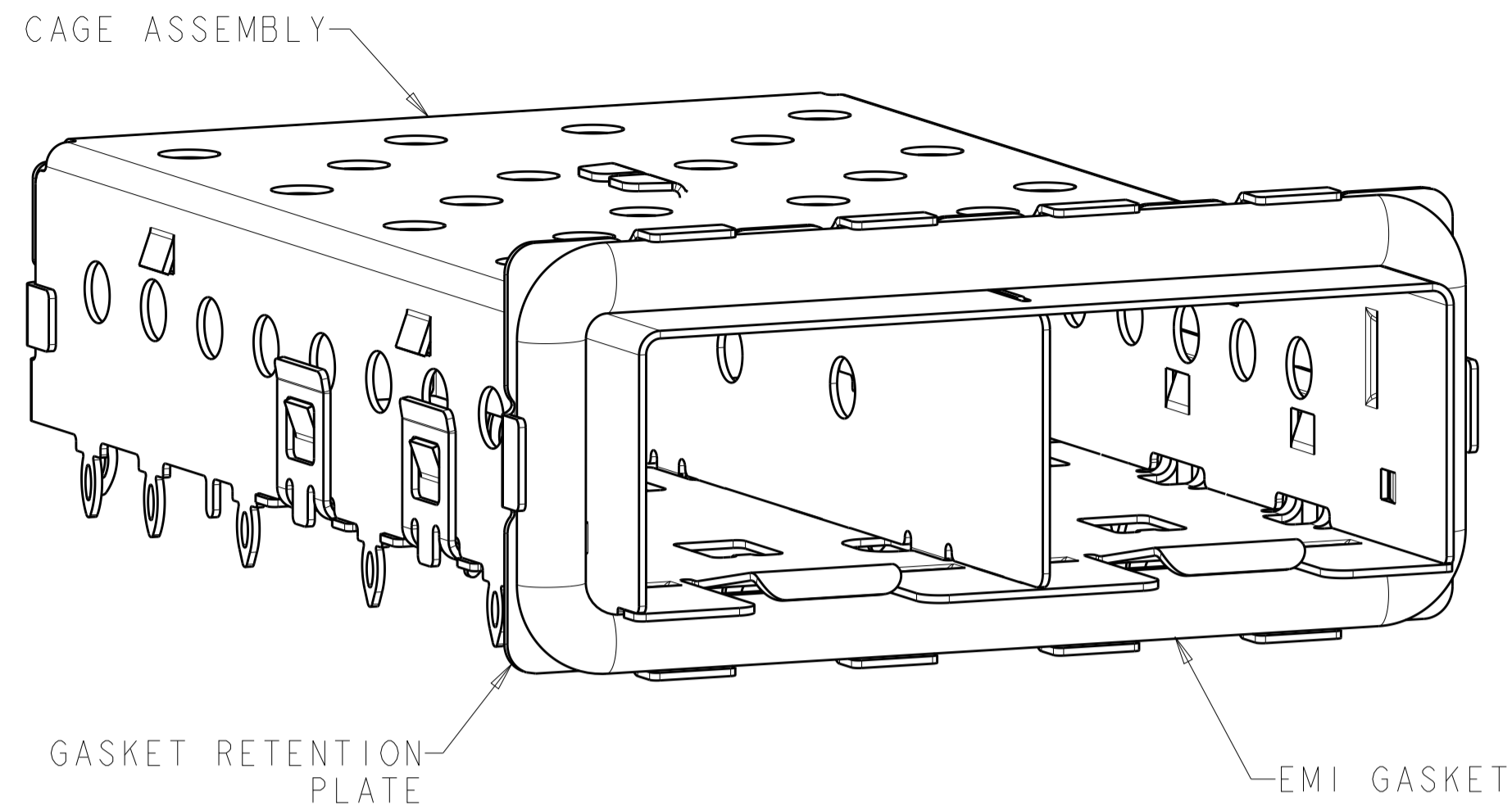
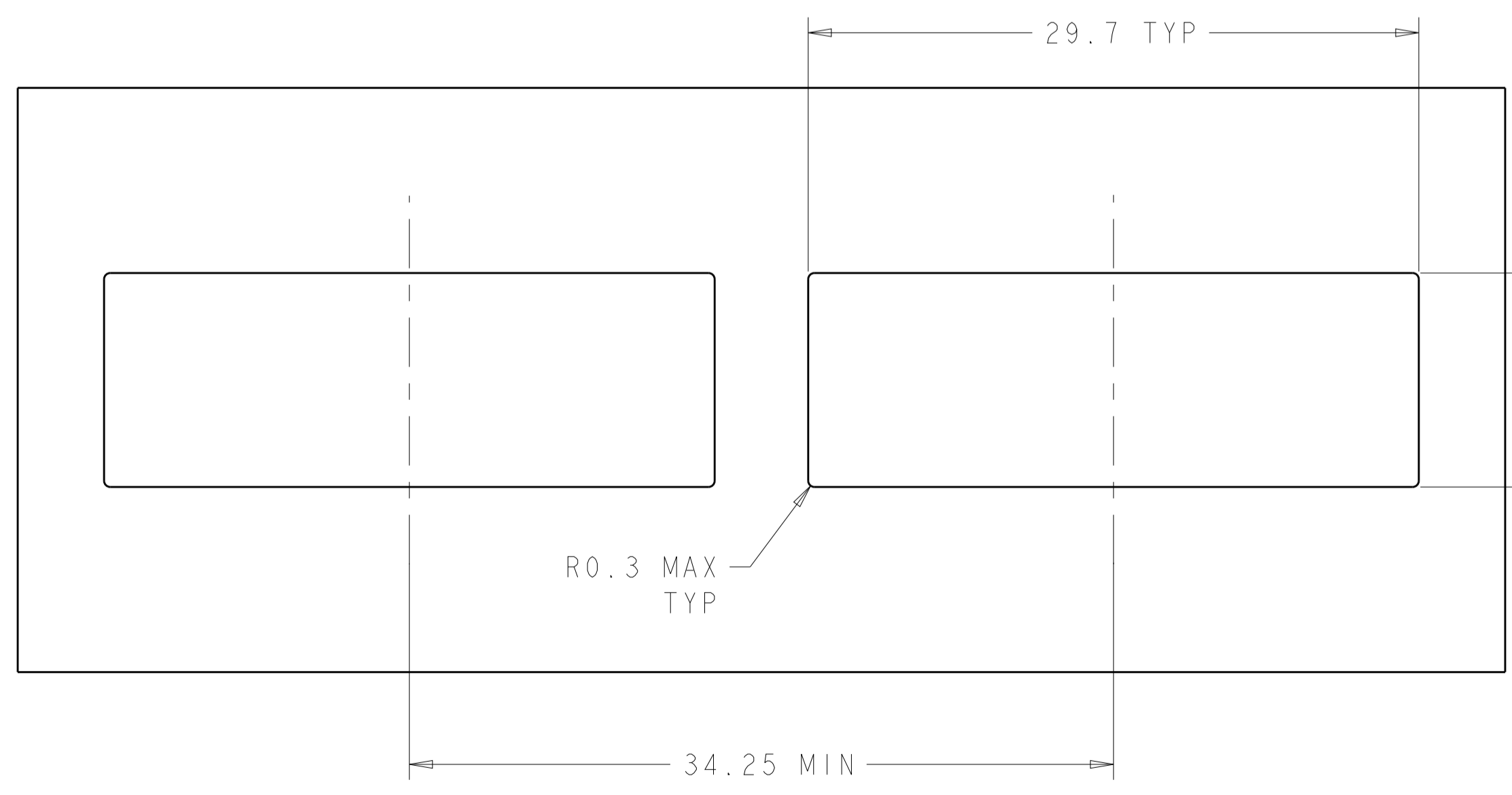
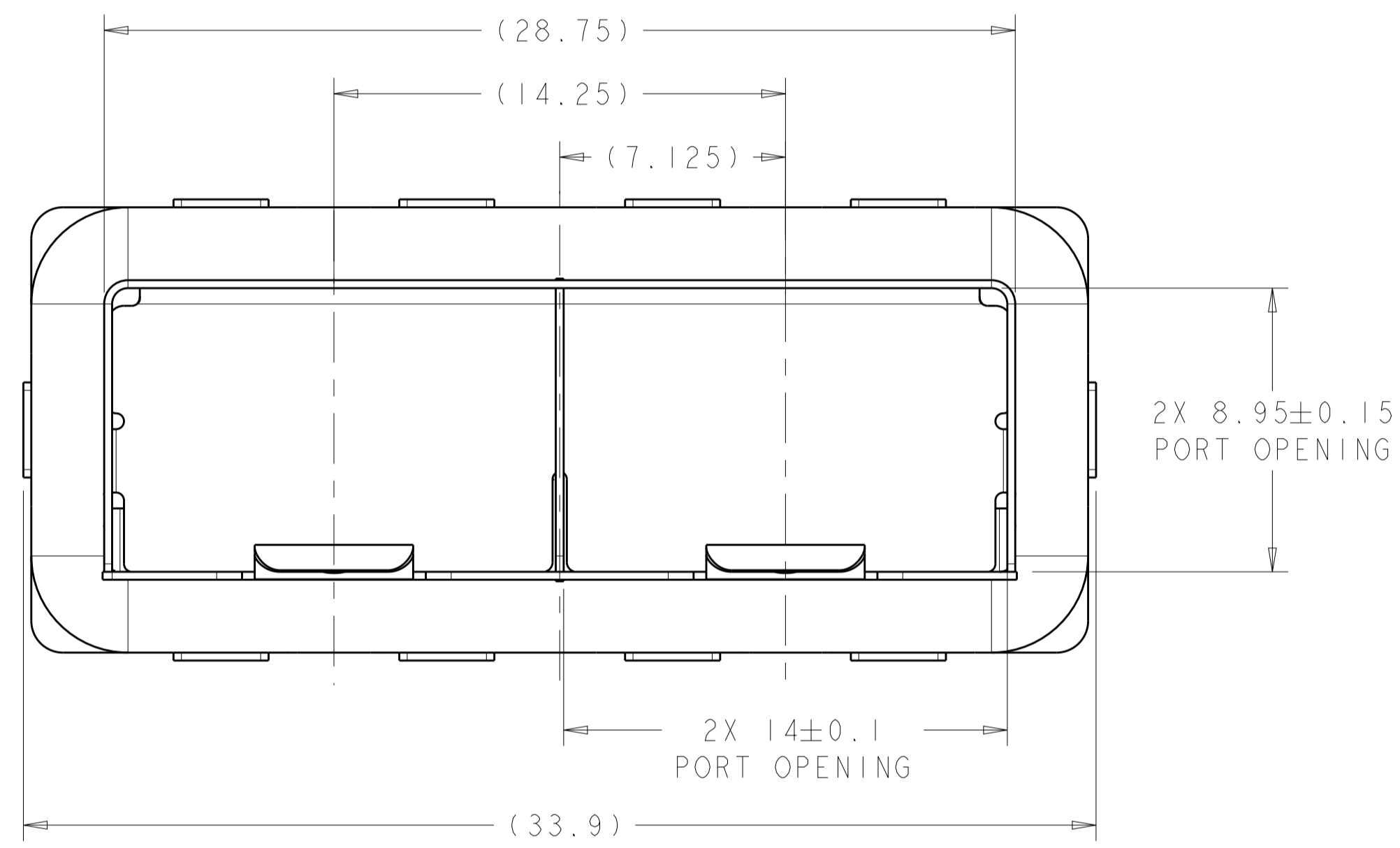


LOC		DIST		REVISIONS			
P	LTN	DESCRIPTION	DATE	DWN	APVD		
D1		REVISED PER ECO-11-004835	11MAR2011	RK	HMR		
E		REVISED PER ECO-12-014021	10DEC2012	TD	AC		



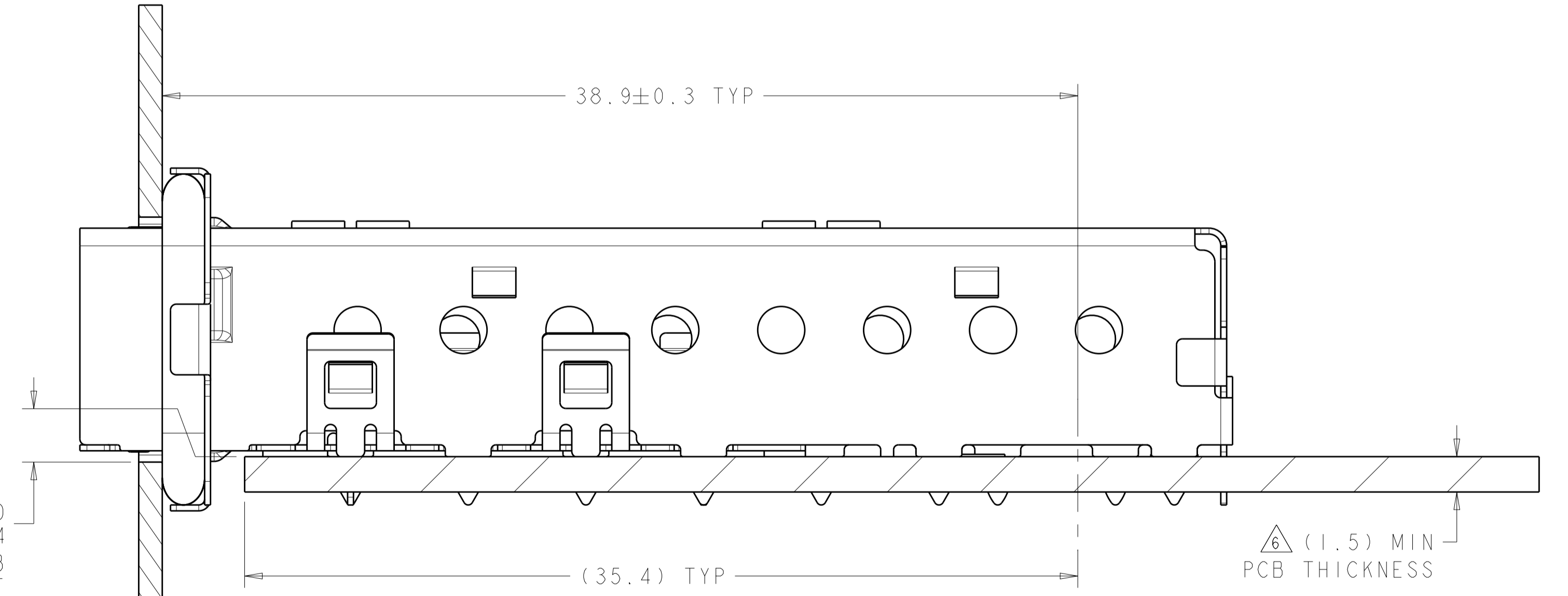
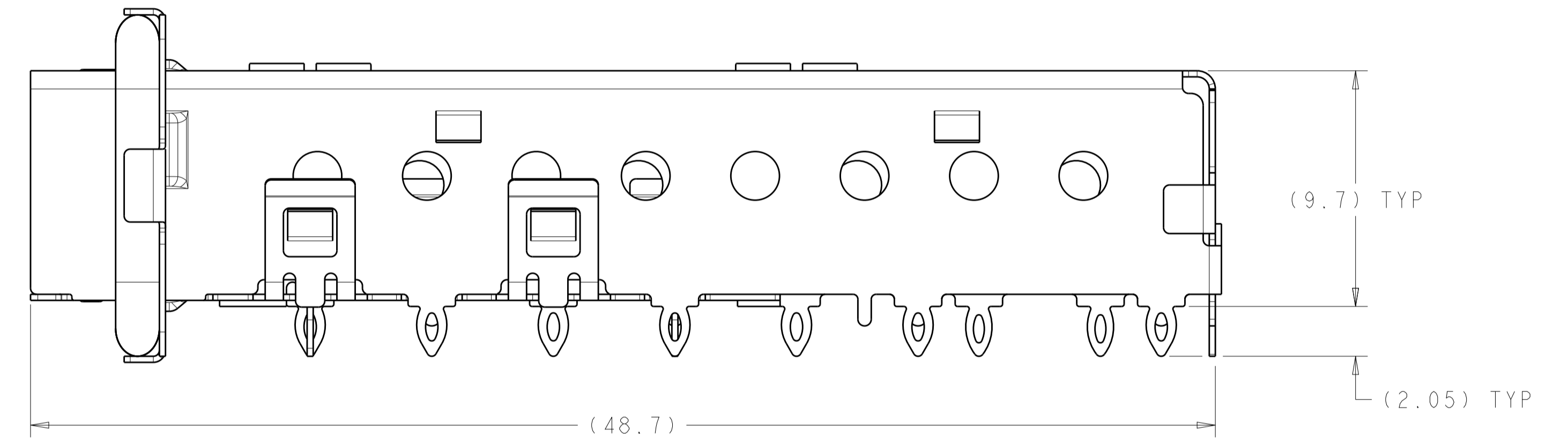
2007181-1
SCALE 5:1



RECOMMENDED BEZEL CUT-OUT
SCALE 4:1

0.23^{+0.10}_{-0.14}
TOP OF PCB
TO INSIDE OF
BEZEL CUT-OUT

- 1 MATERIAL:
CAGE ASSEMBLY - 0.25mm THICK NICKEL SILVER ALLOY
GASKET RETENTION PLATE - STAINLESS STEEL
EMI GASKET - PLATED FILLED SILICONE
- 2 DATUM AND BASIC DIMENSION ESTABLISHED BY CUSTOMER.
3. MATES WITH SFP MSA COMPLIANT TRANSCEIVERS.
- 4 PADS AND VIAS CHASSIS GROUND.
5. INTERPRETATION OF DATUM REFERENCE FRAME IN ACCORDANCE WITH SECT 4.4.1.1 OF ASME Y14.5M-1994.
- 6 MINIMUM PC BOARD THICKNESS = 1.50mm.
- 7 HOLE PATTERN REPEATS FOR EACH PORT, SPACING BETWEEN PORTS IS 14.25mm.
- 8 REFERENCE APPLICATION SPEC. 114-13120, HOLE A, FOR RECOMMENDED DRILL HOLE DIAMETER AND PLATING THICKNESS.
- 9 REFERENCE APPLICATION SPEC. 114-13120, HOLE B, FOR RECOMMENDED DRILL HOLE DIAMETER AND PLATING THICKNESS.
10. PRODUCT COMPLIES WITH SPECIFICATION SFF-8433 IMPROVED PLUGGABLE FORM FACTOR FOR SFP+ GANGED CAGES.



2007181-1
MOUNTED ON PC BOARD
SHOWN THRU RECOMMENDED BEZEL

2007181-1
PART NUMBER

THIS DRAWING IS A CONTROLLED DOCUMENT.		DWN M. SCHMITT 17JUL2007	17JUL2007		TE Connectivity
DIMENSIONS:		CHK M. SCHMITT 17JUL2007	17JUL2007		
TOLERANCES UNLESS OTHERWISE SPECIFIED:		APVD B. WERTZ 17JUL2007	NAME		
mm	0 PLC ±0.1	PRODUCT SPEC			
	1 PLC ±0.1	108-2364			
	2 PLC ±0.1	APPLICATION SPEC			
	3 PLC ±0.1	114-13120			
	4 PLC ±0.1	WEIGHT			
	ANGLES ±1°	Customer Drawing			
MATERIAL		SCALE 6:1		SHEET 1 OF 2	REV E

