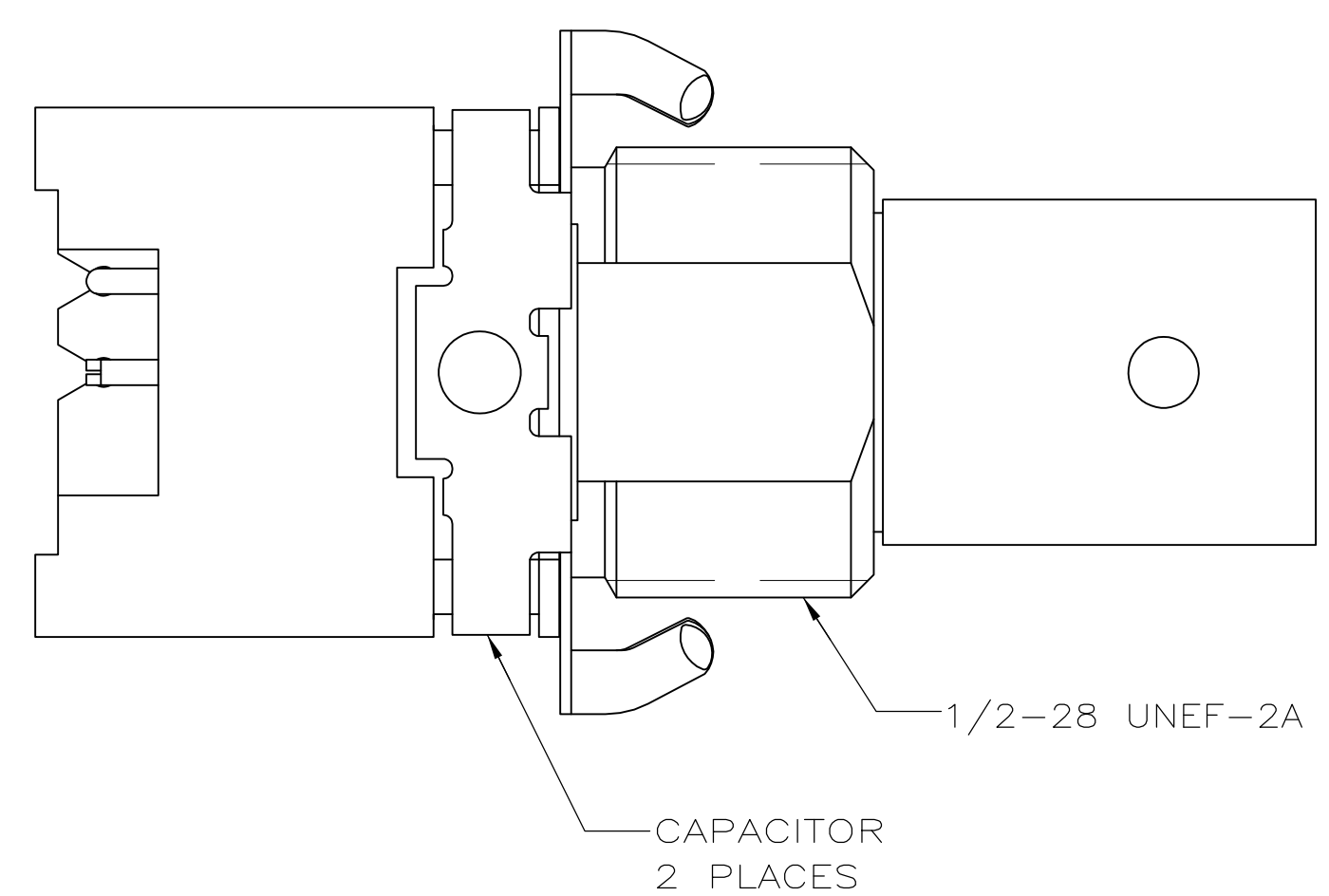
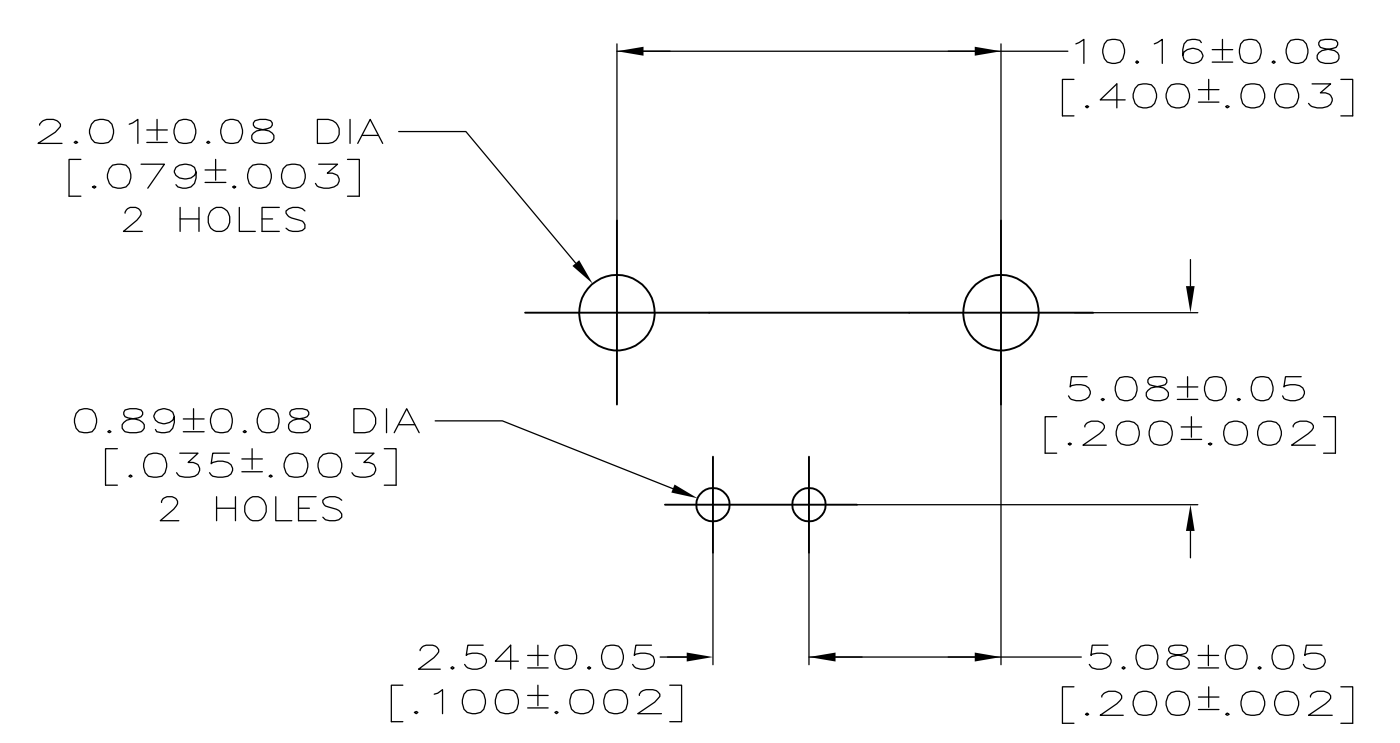
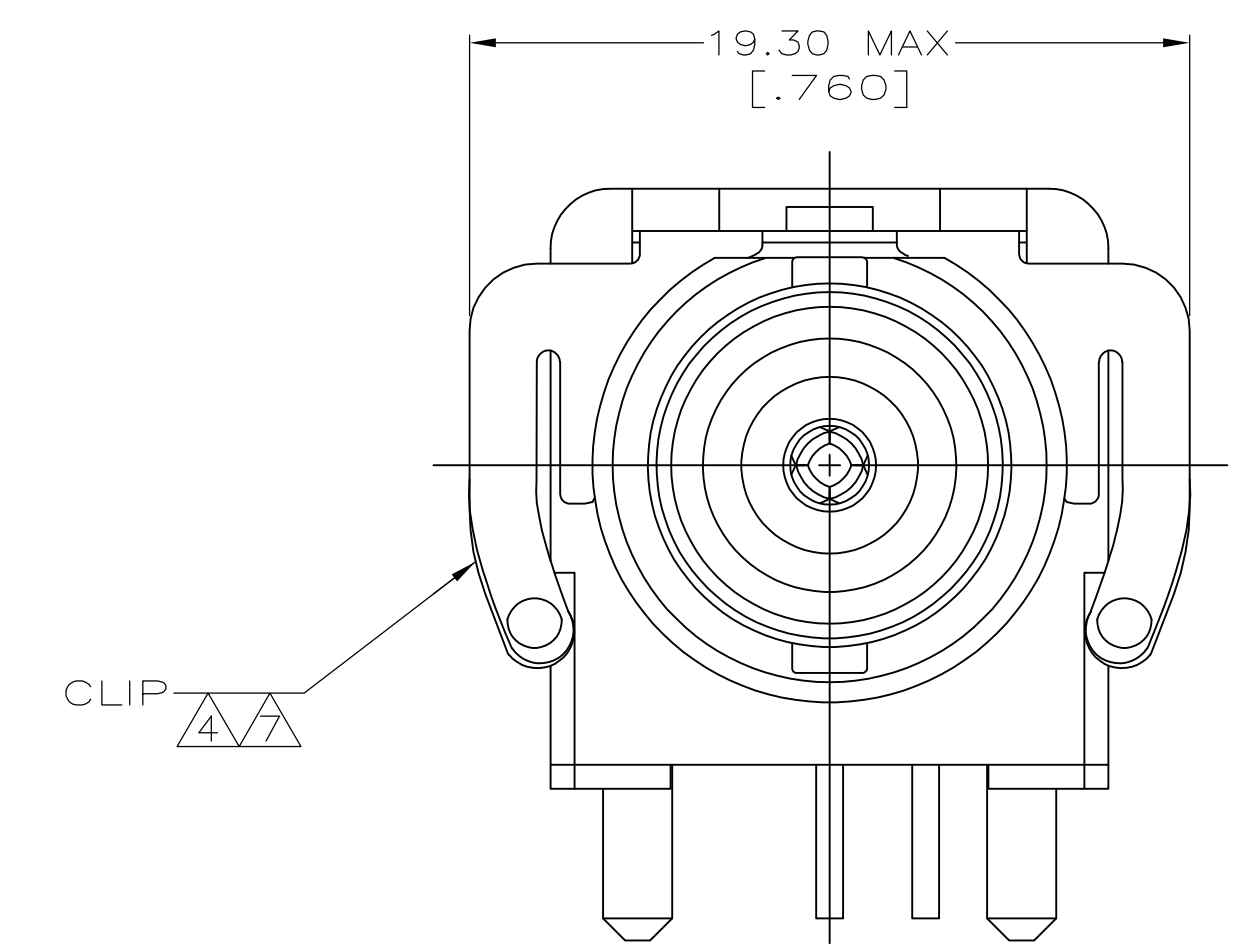
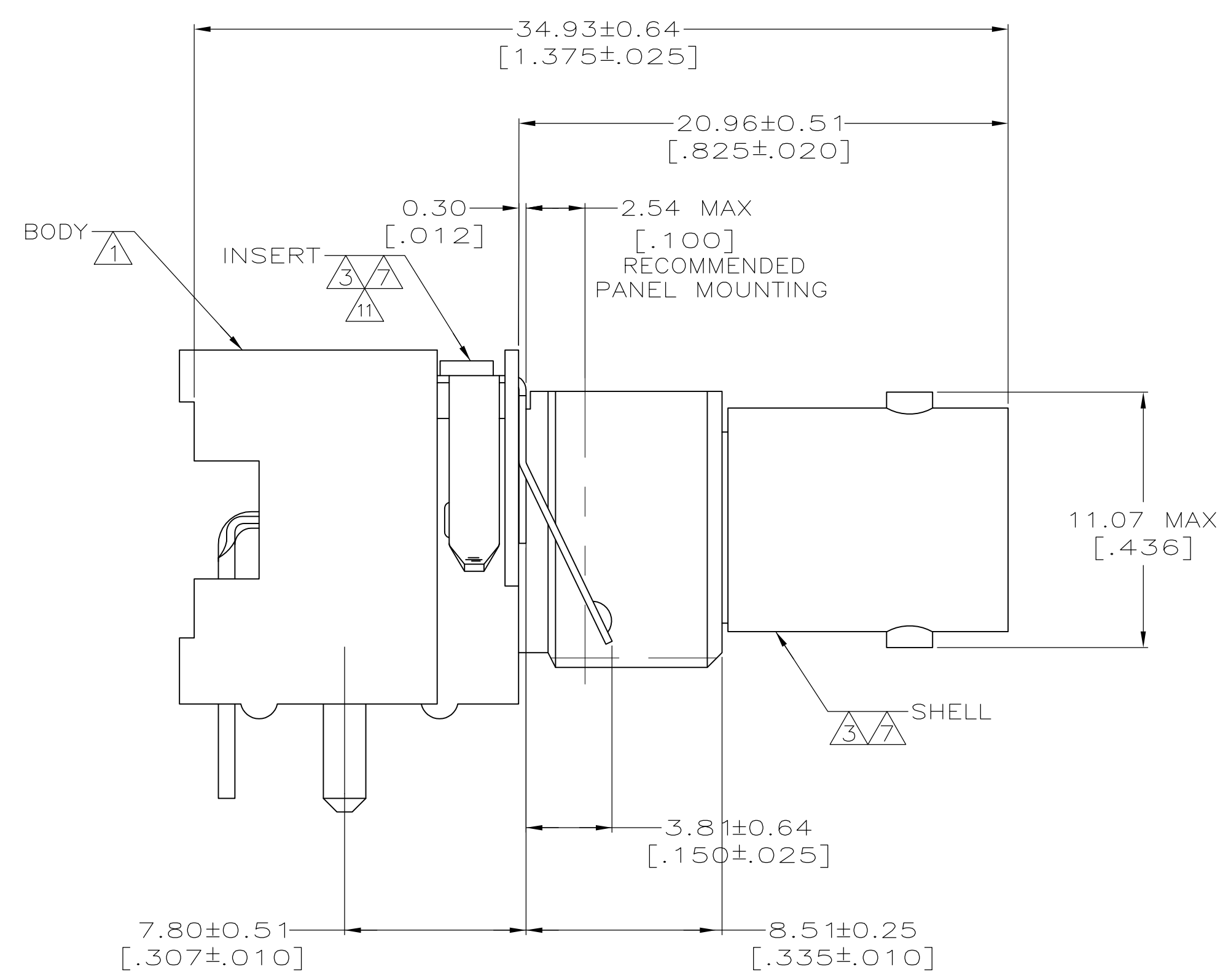
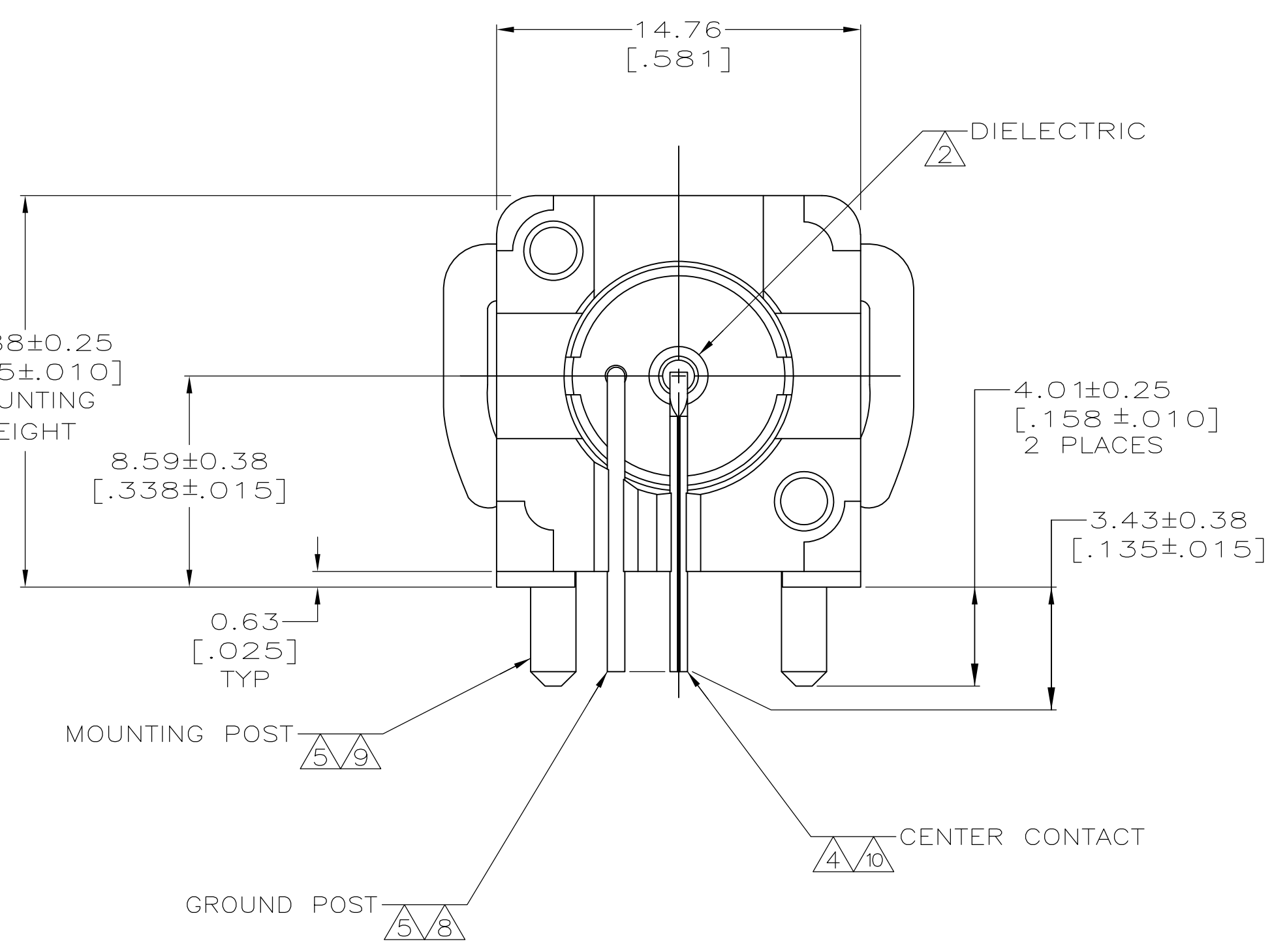


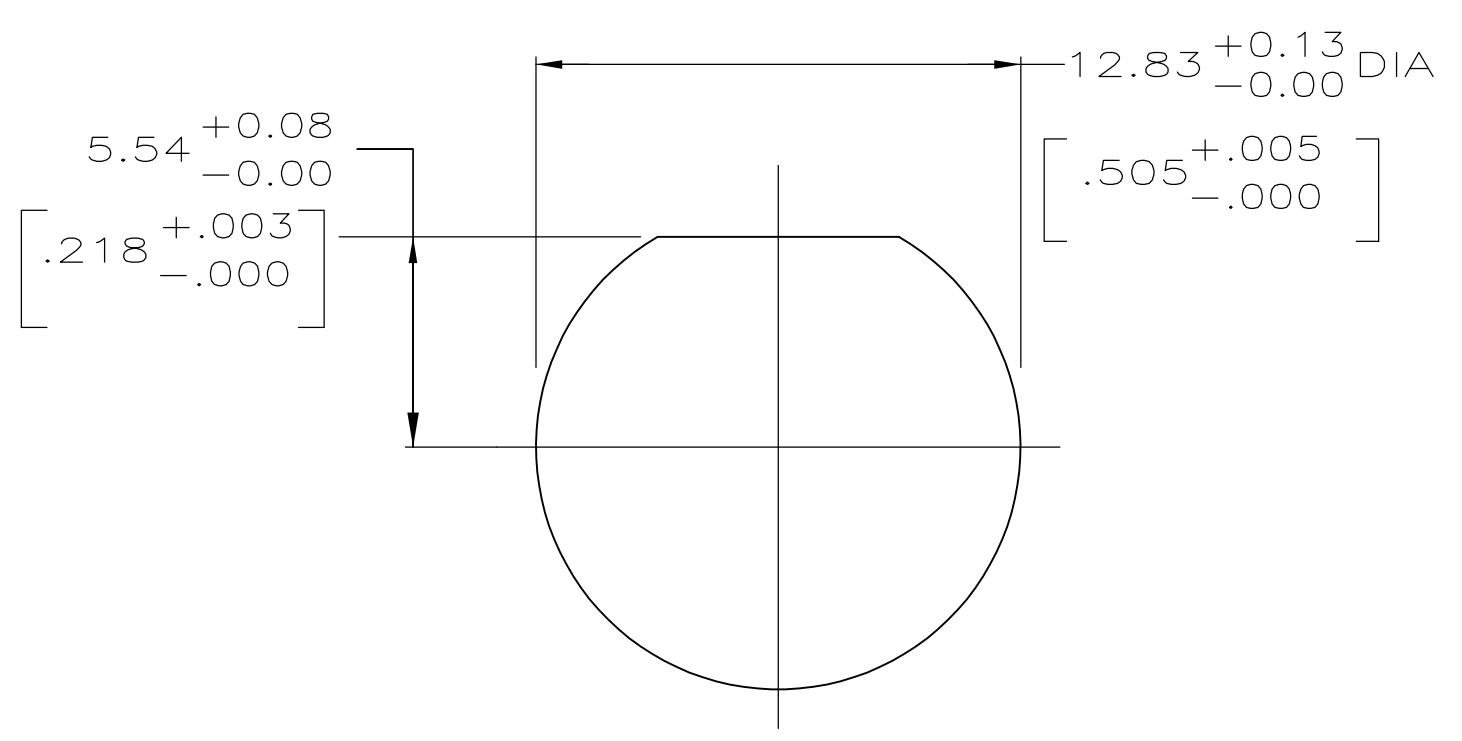
415085-2 ONLY



- ① POLYESTER, PBT, BLACK, PER MIL-M-24519.
- ② POLYMETHYLPENTENE GENERAL PURPOSE.
- ③ ZINC PER QQ-Z-363.
- ④ PHOSPHOR BRONZE PER QQ-B-750.
- ⑤ BRASS PER QQ-B-626.
- ⑥ BRASS PER ASTM-B-453.
- ⑦ NICKEL PL PER QQ-N-290.
- ⑧ TIN PLATE PER ASTM-B-545.
- ⑨ TIN PLATE PER ASTM-B-545.
- ⑩ SELECTIVELY GOLD PLATED ON INTERFACE AREA PER MIL-G-45204, 0.76 [.000030] THK, TIN PLATED ON SOLDER TAIL PER ASTM-B-545, ALL OVER NICKEL PL PER QQ-N-290.
- ⑪ ESD DEVICE, VOLTAGE BREAKDOWN <3.5KVDC.



PCB CONFIGURATION



RECOMMENDED PANEL CUTOUT

SUPCD BY 415085-1	9400 pf, 1500 VDC	415085-2
	9400 pf, 1500 VDC	415085-1
CAPACITANCE & VOLTAGE		PART NO

THIS DRAWING IS A CONTROLLED DOCUMENT.		DIN J. LIPPERT 6-14-95	Tyco Electronics Corporation Harrisburg, PA 17105-3608
DIMENSIONS: INCHES		CIK M. TOMCHAK 6-14-95	
TOLERANCES UNLESS OTHERWISE SPECIFIED:		APVD M. TOMCHAK 6-14-95	NAME JACK, DECOUPLER, PCB RIGHT ANGLE, STANDARD, ESD PROTECTED, 75 OHM BNC
0. PLC ± -		PRODUCT SPEC	
1. PLC ± -		108-1269	SIZE A1
2. PLC ± 0.20 [.008]		APPLICATION SPEC	
3. PLC ± -		WEIGHT	SCALE 5:1 SHEET 1 OF 1 REV G
4. PLC ANGLES ± -		CUSTOMER DRAWING	
MATERIAL SEE NOTES 1 - 6		FINISH SEE NOTES 7,8,9,10	RESTRICTED TO