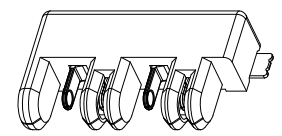
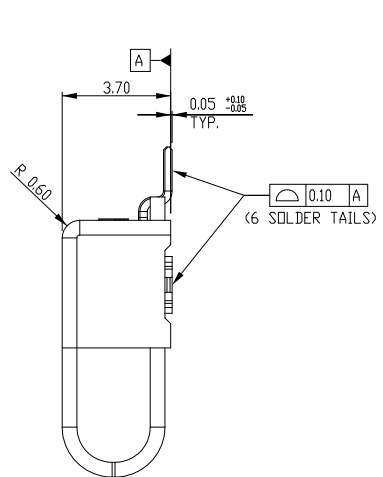
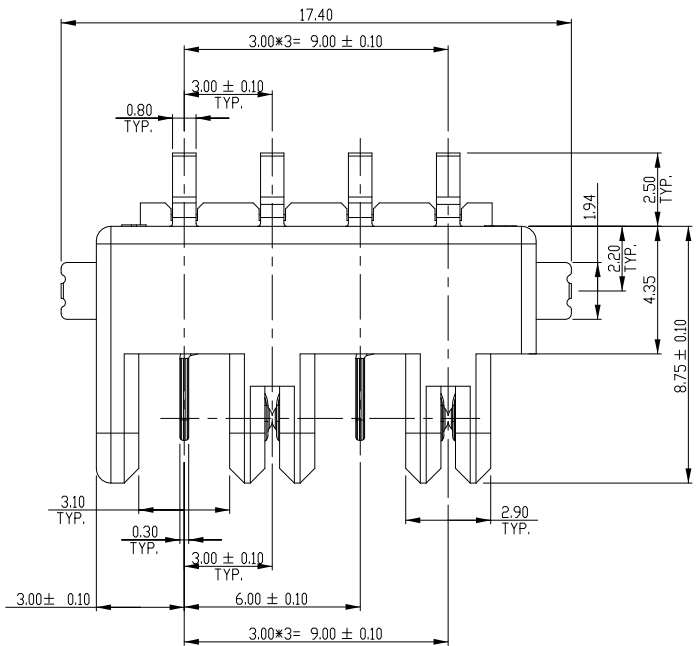
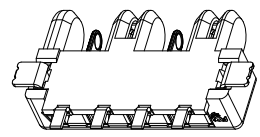


PART NUMBER
10120045-400LF

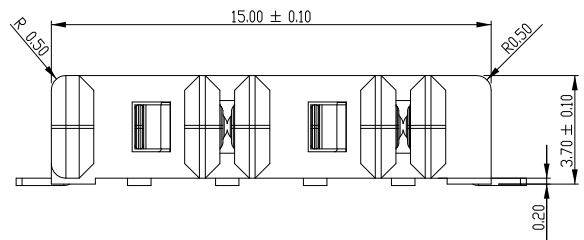


SCALE 2.000



SCALE 2.000

NOTES:
 1. MATERIAL:
 HOUSING: HIGH TEMPERATURE LCP, NATURAL
 UL 94 V-0 FLAME RETARDANT.
 CONTACTS: COPPER ALLOY.
 PLATING SPEC AS BELOW:
 FOR CONTACT AREA:
 * 0.76um GXT™ (30°GXT™);
 FOR SOLDER AREA:
 MATTE PURE TIN 3 um MIN.
 FOR UNDERPLATING:
 1.27 um MIN. THICKNESS NICKEL
 2. PRODUCT SPEC. GS-12-1079.
 3. LEAD FREE NOTES:
 3a. THE HOUSING WILL WITHSTAND EXPOSURE TO 260°C PEAK
 TEMPERATURE FOR 10 SECONDS IN A CONVECTION, INFRA-RED
 OR VAPOR PHASE REFLOW OVEN.
 3b. THIS PRODUCT MEETS EUROPEAN UNION DIRECTIVES AND
 OTHER COUNTRY REGULATIONS AS DESCRIBED IN GS-22-008.
 * GXT™ is an FCI Electronics patented process of palladium-nickel alloy plated with a gold flash.



SCALE 4.000

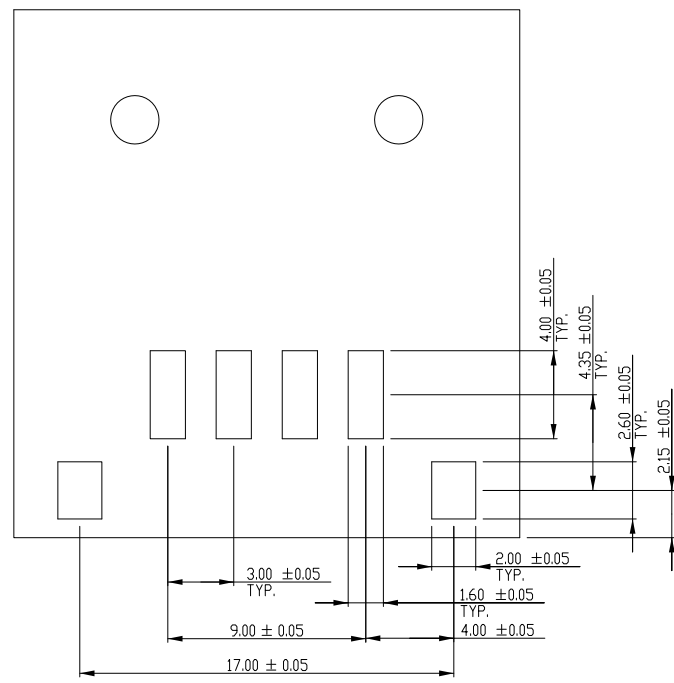


Copyright FCI.

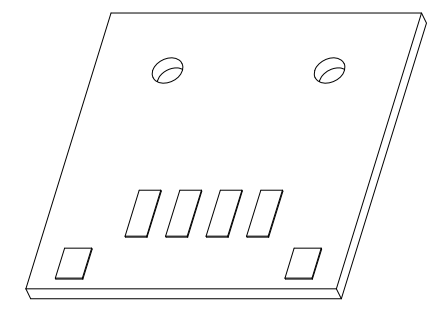
rev	ecn no	dr	date
A	-	MJA	2013-06-10
-	-	-	-
-	-	-	-
-	-	-	-
-	-	-	-
-	-	-	-

www.fciconnect.com			surface ISO 1302	tolerance std ISO 406 ISO 1101	projection MM	MM
			TOLERANCES UNLESS OTHERWISE SPECIFIED			
Dr	M JACOB	2013-06-10	ANGULAR	0.X ±X	size	Scale
Eng	M JACOB	2013-06-10	LINEAR	0.XX ±0.2	A4	4.000
Chr	M JACOB	2013-06-10	0° ±2'	0.XXX ±X	ECN	-
Appr	BIJU K PAUL	2013-06-10	Product family-RotaConnect		Spec ref	-
FCI			title ASSEMBLY 4 POS HOR TYPE ROTATABLE BOARD TO BOARD CONNECTOR		dwg no	Rev.
			catalog no : 10120045-400LF		10120045-400C	A
					CUSTOMER DRAWING	sheet 1 of 3

PART NUMBER
10120045-400LF



SCALE 3.000



SCALE 2.000



Copyright FCI.

rev	ecn no	dr	date
-	-	-	-
-	-	-	-
-	-	-	-
-	-	-	-
-	-	-	-
-	-	-	-

www.fciconnect.com			surface ISO 1302	<input checked="" type="checkbox"/>	tolerance std ISO 406	ISO 1101	projection 	MM 	
			TOLERANCES UNLESS OTHERWISE SPECIFIED					size A4	Scale 3.000
Dr	M JACOB	2013-06-10	ANGULAR	LINEAR	0.X	±X	size	ECN	
Eng	M JACOB	2013-06-10	0°	±2°	0.XX	±0.2	ECN	-	
Chr	M JACOB	2013-06-10			0.XXX	±X	Spec ref	-	
Appr	BIJU K PAUL	2013-06-10	Product family-RotaConnect				Spec ref	-	
			title ASSEMBLY 4 POS HOR TYPE ROTATABLE BOARD TO BOARD CONNECTOR			dwg no 10120045-400C		Rev. A	
			catalog no : 10120045-400LF			CUSTOMER DRAWING sheet 2 of 3			

PART NUMBER
10120045-400LF

T 0.4±0.10

∅1.50+0.10/-0

4±0.10

FEEDING DIRECTION

4.15 REF

SEE DETAIL 1

16.00 REF

SEE DETAIL D

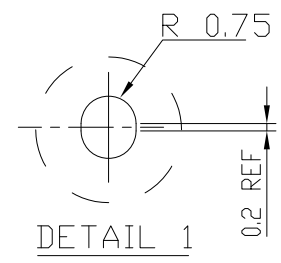
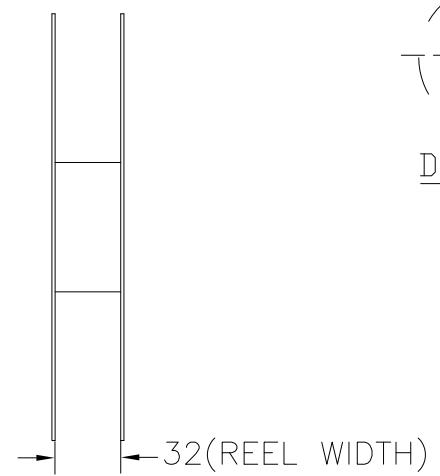
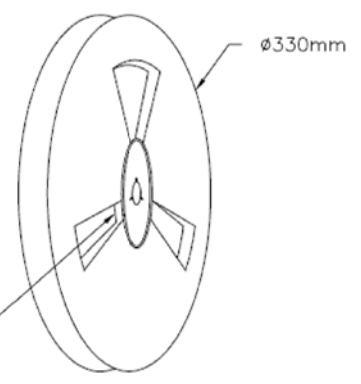
28.4±0.10

W 32±0.30

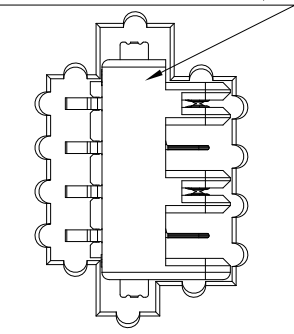
SECTION A-A



Copyright FCI.



Component inside carrier tape



DETAIL D
SCALE 2:1

NOTES :

1. MATERIAL : ANTI-STATIC POLYSTYRENE
2. PACKAGING AS PER EIA-481 STD.
3. QTY PER REEL : 975 NOS

www.fciconnect.com			surface ISO 1302	✓	tolerance std ISO 406	ISO 1101	projection MM	↔
			TOLERANCES UNLESS OTHERWISE SPECIFIED					
Dr	M JACOB	2013-06-10	ANGULAR		0.X	±X	size	Scale
Eng	M JACOB	2013-06-10		LINEAR	0.XX	±0.2	A4	1.000
Chr	M JACOB	2013-06-10	0°	±2°	0.XXX	±X	ECN	-
Appr	BIJU K PAUL	2013-06-10	Product family - RotaConnect				Spec ref	-
			title ASSEMBLY 4 POS HOR TYPE ROTATABLE BOARD TO BOARD CONNECTOR			dwg no 10120045-400C		Rev. A
catalog no : 10120045-400LF			CUSTOMER DRAWING			sheet 3 of 3		