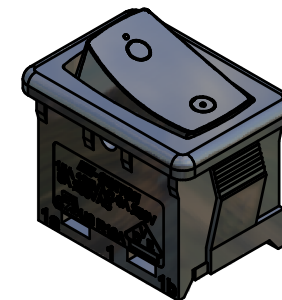
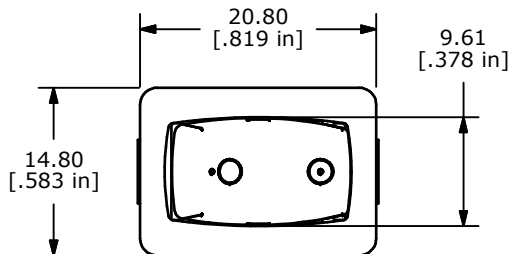


RECOMMENDED PANEL MOUNTING

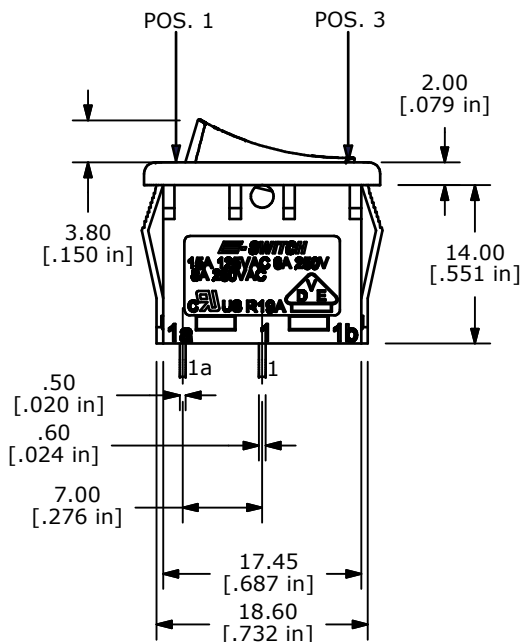
PANEL THICKNESS	X
0.75-1.25	19.2-19.3
1.25-2.00	19.3-19.4
2.00-3.00	19.5-19.6



SWITCH FUNCTION		
POS. 1	POS. 2	POS. 3
OFF	NONE	ON
OPEN	N/A	1-1a



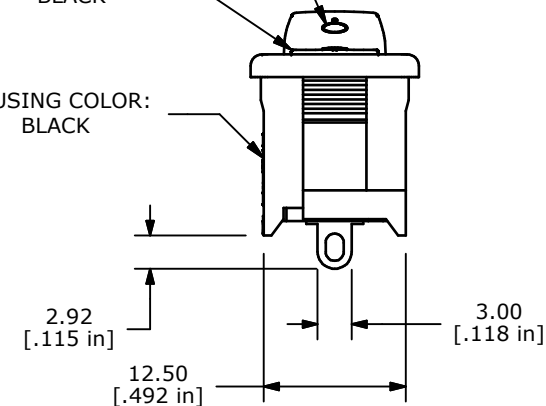
CIRCUIT: SPST



▲ CUSTOM MARKING  
WHITE PRINT

▲ ACTUATOR COLOR:  
BLACK

▲ HOUSING COLOR:  
BLACK



NOTES:

1. ALL DIMENSIONS IN MM [INCH]
2. GENERAL TOLERANCE: X.X=±0.4  
X.XX=±0.25
3. TERM. NOS. FOR REF. ONLY
4. RATING: 8A @ 250VAC  
15A @ 125VAC
5. CONTACT MATERIAL: SILVER
6. ELECTRICAL LIFE: 10,000 CYCLES MIN.
7. CONTACT RESISTANCE: <20 MILLI-OHMS INITIAL
8. DIELECTRIC STRENGTH: >1,500VAC FOR 1 MIN.
9. ▲ DENOTES CRITICAL PARAMETER.
10. 2002/95/EC (ROHS) COMPLIANT



B	19359	UPDATE HOUSING	11/02/10	BMA
A	18184	RELEASE FOR PRODUCTION	7/23/08	BLR
REV	PCR NO	DESCRIPTION	DATE	BY

TITLE R1966ABLKBLK SPECIAL S				
SCALE	DATE	DR	DWG	REV
1.5:1	7/23/2008	BLR	M300014	B

THE INFORMATION CONTAINED IN THIS DOCUMENT IS PROPRIETARY TO E-SWITCH AND IS NOT TO BE COPIED OR TRANSFERRED