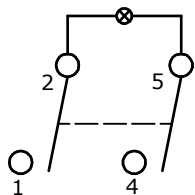
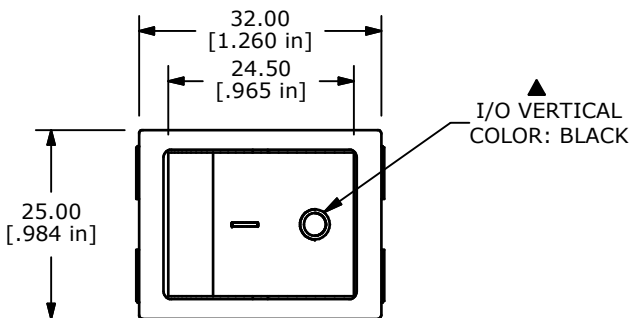


PANEL CUTOUT

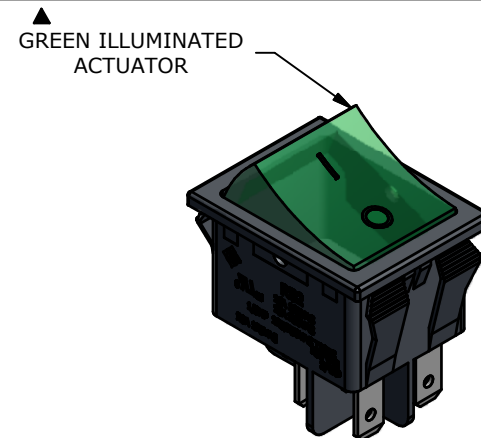
PANEL THICKNESS	(x)
0.75 - 1.25	30.0
1.25 - 2.00	30.2
2.00 - 3.00	30.5



CIRCUIT: DPST  
MAINTAINED



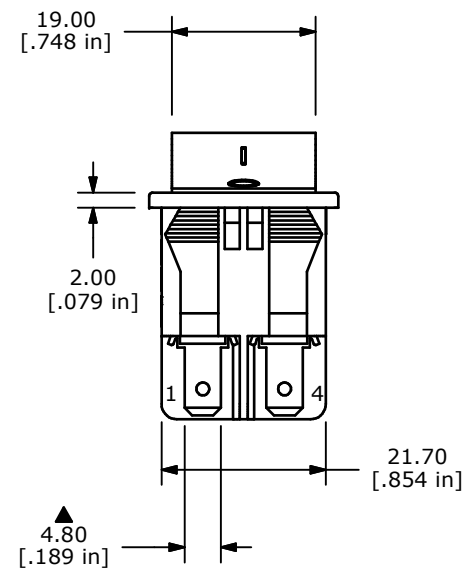
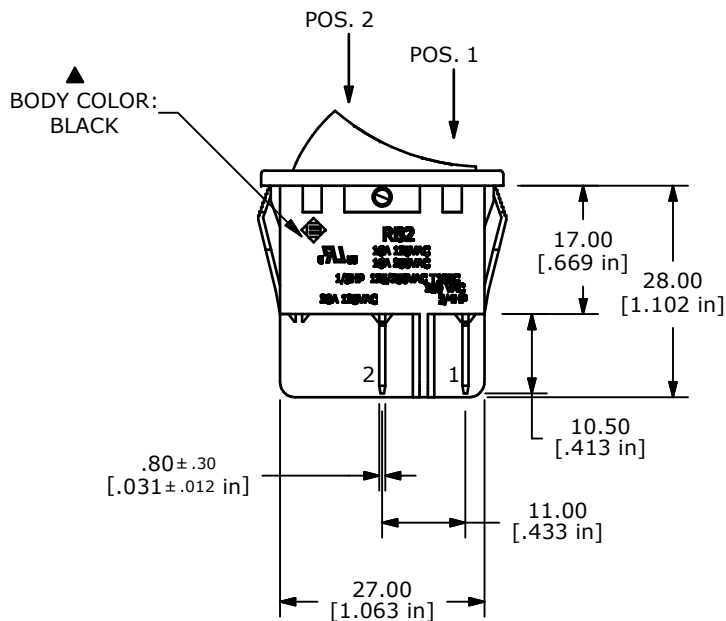
I/O VERTICAL  
COLOR: BLACK



SWITCH FUNCTION	
POS. 1	POS. 2
OFF	ON
OPEN	2-1, 5-4

NOTE:

- DIMENSIONS IN MM [INCH]
- GENERAL TOLERANCE: X.X = ± 0.4  
X.XX = ± 0.25
- TERMINAL NUMBERS FOR REF ONLY
- CONTACT MATERIAL: SILVER
- CONTACT RATINGS: 16A @ 125VAC T85 [cULus]  
8A @ 250VAC T85 [cULus]  
16(4)A 250V~ 1E4 T125/55 [ENEC]
- CONTACT RESISTANCE: 20mΩ MAX. INITIAL
- INSULATION RESISTANCE: 100MΩ MIN. @ 500VDC
- DIELECTRIC STRENGTH: 1,000VAC FOR 1 MINUTE
- ELECTRICAL LIFE: 6,000 CYCLES [cURus]
- OPERATING TEMPERATURE: -20°C TO 55°C [cURus]
- ▲ DENOTES CRITICAL PARAMETER
- 2002/95/EC (ROHS) COMPLIANT
- NEON LAMP VOLTAGE: 250V



TITLE RB212C1011-137				
SCALE	DATE 4/25/2013	DR EBP	DWG 38-RB212C1011137	REV A