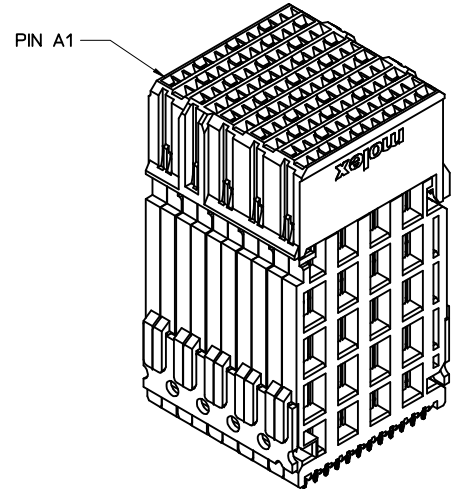


VERTICAL RECEPTACLE HOLE PATTERN
(CONNECTOR SIDE)



- NOTES:
1. MATERIALS: HOUSING - LIQUID CRYSTAL POLYMER (LCP), GLASS-FILLED, UL94V-0
TERMINALS - HIGH PERFORMANCE COPPER ALLOY
 2. FINISH: 30 μMCH MIN SELECTIVE GOLD IN CONTACT AREA, SELECTIVE MATTE TIN ON PCB TAILS. NICKEL OVERALL.
 3. REFER TO MOLEX PRODUCT SPEC PS-170540-999 FOR PERFORMANCE SPECIFICATIONS AND ADDITIONAL PCB INFORMATION.
 4. EACH SIGNAL WAFER CONTAINS 2 COLUMNS OF TERMINALS.
 5. SEE CHARTS FOR PACKAGING SPECIFICATIONS.
 6. THIS PART CONFORMS TO CLASS B REQUIREMENTS OF COSMETIC SPECIFICATION PS-45499-002.
 7. REFER TO MOLEX SALES DRAWING SD-170335-0001 FOR THE MATING HEADERS.
 8. REFER TO MOLEX PCB ROUTING GUIDE AS-76060-990 FOR ANTIPAD AND ROUTING RECOMMENDATIONS.
 9. MARKING: LOCATED APPROXIMATELY AS SHOWN PART NUMBER & DATE CODE
 10. GROUND PATHS ARE NOT DISCRETE CIRCUITS WITHIN CONNECTOR DUE TO PRESENCE OF PLUS CLIP.
 11. PART NUMBER 170390-1030 SHOWN ON DRAWING. KEYING FEATURES WILL CHANGE WITH COLUMN SIZE.
 12. THESE DIMENSIONS REPRESENT THE AREA NEEDED TO ACCOMODATE CONNECTOR INSERTION AND REPAIR ON THE PCB. THIS IS REFERRED TO AS THE "CONNECTOR KEEP OUT ZONE" AND DOES NOT REPRESENT THE ACTUAL PERIMETER OF THE CONNECTOR.

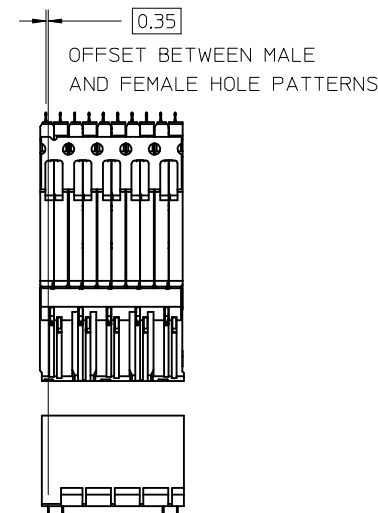
ADD LASER MARK INFO EC NO: UCP2016-3973 DRWNG:VARVARA 2015/07/29 CHKD:TELO 2016/02/22 APPR:TELO 2016/04/20	DESCRIPTION REV	QUALITY SYMBOLS	GENERAL TOLERANCES (UNLESS SPECIFIED)	DIMENSION STYLE MM ONLY	SCALE 3:1	DESIGN UNITS METRIC	THIRD ANGLE PROJECTION																
		$\nabla = 0$ $\nabla = 0$ $\nabla = 0$	<table border="1"> <thead> <tr> <th></th> <th>mm</th> <th>INCH</th> </tr> </thead> <tbody> <tr> <td>4 PLACES</td> <td>± ---</td> <td>± ---</td> </tr> <tr> <td>3 PLACES</td> <td>± ---</td> <td>± ---</td> </tr> <tr> <td>2 PLACES</td> <td>± 0.13</td> <td>± ---</td> </tr> <tr> <td>1 PLACE</td> <td>± 0.25</td> <td>± ---</td> </tr> <tr> <td>0 PLACE</td> <td>± ---</td> <td>± ---</td> </tr> </tbody> </table>		mm	INCH	4 PLACES	± ---	± ---	3 PLACES	± ---	± ---	2 PLACES	± 0.13	± ---	1 PLACE	± 0.25	± ---	0 PLACE	± ---	± ---	DRAWN BY JB INGHAM DATE 2013/04/03 CHECKED BY JLAURX DATE 2013/04/03 APPROVED BY JLAURX DATE 2013/04/05	TITLE IMPACT 4-PAIR 85-OHM UNGUDED MEZZANINE SALES DRAWING
			mm	INCH																			
		4 PLACES	± ---	± ---																			
3 PLACES	± ---	± ---																					
2 PLACES	± 0.13	± ---																					
1 PLACE	± 0.25	± ---																					
0 PLACE	± ---	± ---																					
ANGULAR ±1/2°	MATERIAL NO. SEE CHART	DOCUMENT NO. SD-170390-0001	SHEET NO. 1 OF 2																				
A3		DRAFT WHERE APPLICABLE MUST REMAIN WITHIN DIMENSIONS	THIS DRAWING CONTAINS INFORMATION THAT IS PROPRIETARY TO MOLEX INCORPORATED AND SHOULD NOT BE USED WITHOUT WRITTEN PERMISSION																				

PART NUMBER CHART

MATERIAL NUMBER	# OF COLUMNS	# OF DIFF PAIRS	DIM "A" MAX	DIM "B"	DIM "C"	DIM "D"	PACKAGING SPEC	18mm STACK HEIGHT (DIM H)
170390-1008	8	32	15.1	13.3	15.36	19.41	PK-70873-4001	
170390-1000	10	40	18.9	17.1				
170390-1002	12	48	22.7	20.9				
170390-1007	14	56	26.5	24.7				
170390-1006	16	64	30.3	28.5				
170390-1009	18	72	34.1	32.3				

MATERIAL NUMBER	# OF COLUMNS	# OF DIFF PAIRS	DIM "A" MAX	DIM "B"	DIM "C"	DIM "D"	PACKAGING SPEC	25mm STACK HEIGHT (DIM H)
170390-1028	8	32	15.1	13.3	22.36	19.41	PK-70873-4002	
170390-1020	10	40	18.9	17.1				
170390-1022	12	48	22.7	20.9				
170390-1027	14	56	26.5	24.7				
170390-1026	16	64	30.3	28.5				
170390-1029	18	72	34.1	32.3				

MATERIAL NUMBER	# OF COLUMNS	# OF DIFF PAIRS	DIM "A" MAX	DIM "B"	DIM "C"	DIM "D"	PACKAGING SPEC	37mm STACK HEIGHT (DIM H)
170390-1038	8	32	15.1	13.3	34.36	20.65	PK-70873-0044	
170390-1030	10	40	18.9	17.1				
170390-1032	12	48	22.7	20.9				
170390-1037	14	56	26.5	24.7				
170390-1036	16	64	30.3	28.5				
170390-1039	18	72	34.1	32.3				



PART NUMBER LOGIC

170390-103*

MODULE AND TAIL PLATING TYPE
1 = UNGUIDED, MATTE TIN

KEY ORIENTATION
0 = UNGUIDED

STACK HEIGHT (H)
0 = 18mm
2 = 25mm
3 = 37mm

OF COLUMNS
0 = 10 COL
2 = 12 COL
6 = 16 COL
7 = 14 COL
8 = 8 COL
9 = 18 COL

SEE SHEET 1 EC NO: UCP2016-3973 DRWNG:VARVARA 2015/07/29 CHKD:TELO 2016/02/22 APPR:TELO 2016/04/20	QUALITY SYMBOLS ▽=0 ▽=0 ▽=0	GENERAL TOLERANCES (UNLESS SPECIFIED)		DIMENSION STYLE MM ONLY	SCALE 2:1	DESIGN UNITS METRIC	THIRD ANGLE PROJECTION	
		4 PLACES ± --- ± ---	3 PLACES ± --- ± ---	mm INCH	DRAWN BY DATE JB INGHAM 2013/04/03	TITLE IMPACT 4-PAIR 85-OHM UNGUIDED MEZZANINE SALES DRAWING		
		2 PLACES ± 0.13 ± ---	1 PLACE ± 0.25 ± ---	0 PLACE ± --- ± ---	CHECKED BY DATE JLAURX 2013/04/03	APPROVED BY DATE JLAURX 2013/04/05		
		ANGULAR ±1/2°		MATERIAL NO. SEE CHART	DOCUMENT NO. SD-170390-0001	SHEET NO. 2 OF 2		
DRAFT WHERE APPLICABLE MUST REMAIN WITHIN DIMENSIONS		THIS DRAWING CONTAINS INFORMATION THAT IS PROPRIETARY TO MOLEX INCORPORATED AND SHOULD NOT BE USED WITHOUT WRITTEN PERMISSION						