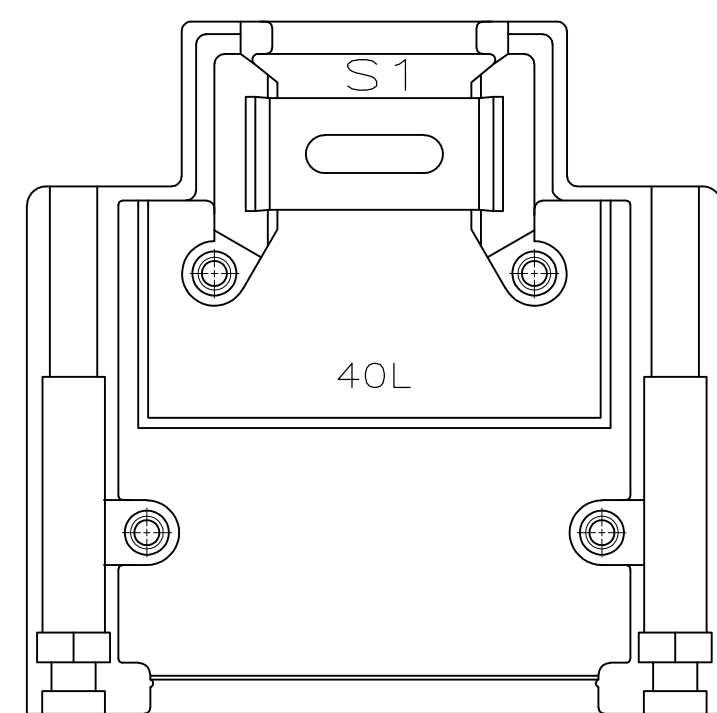
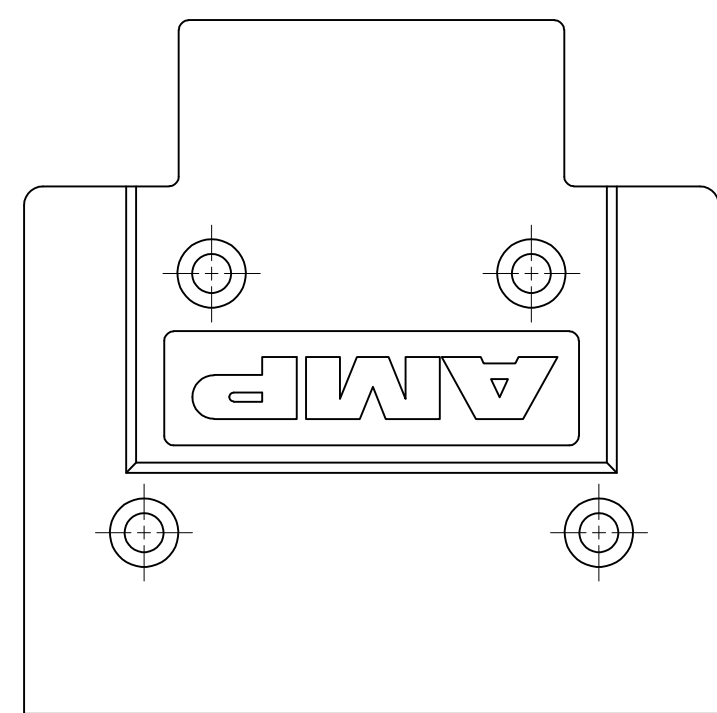
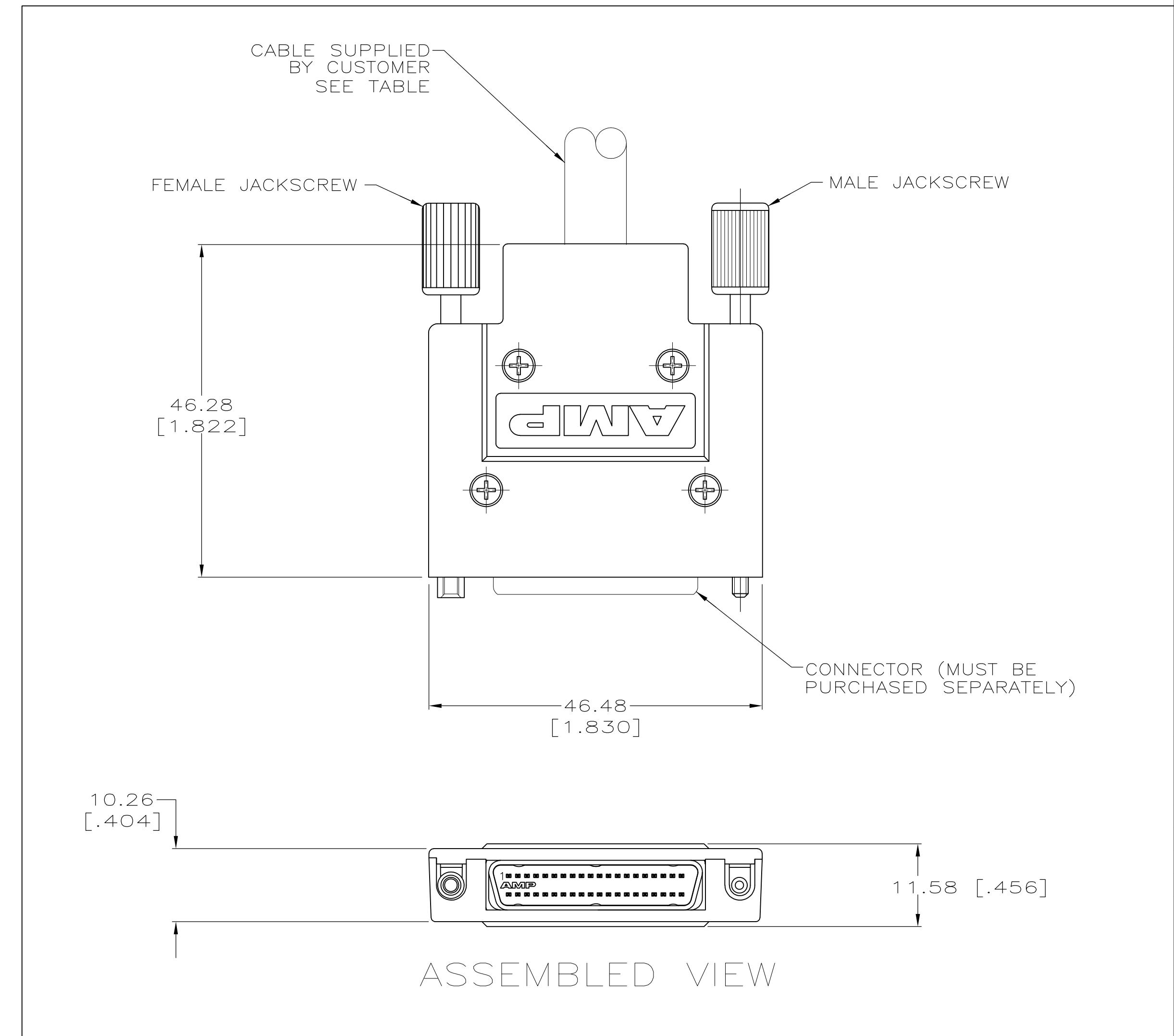
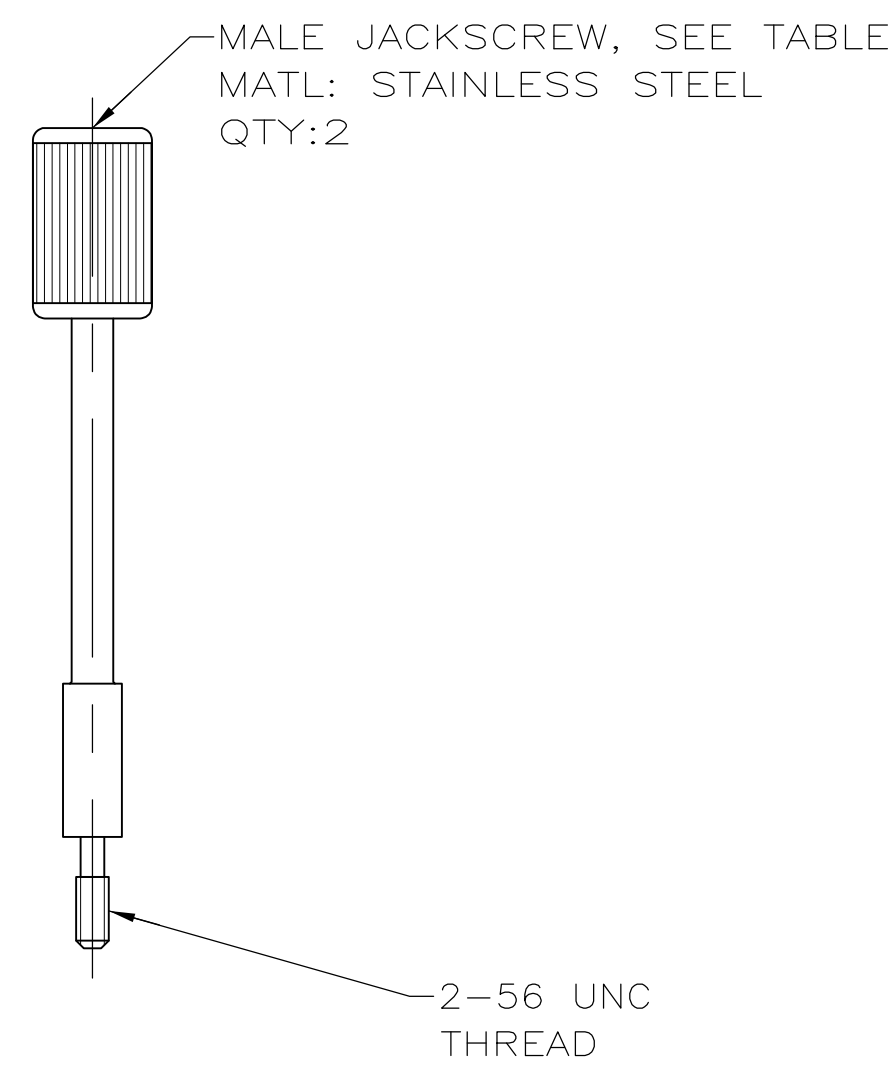
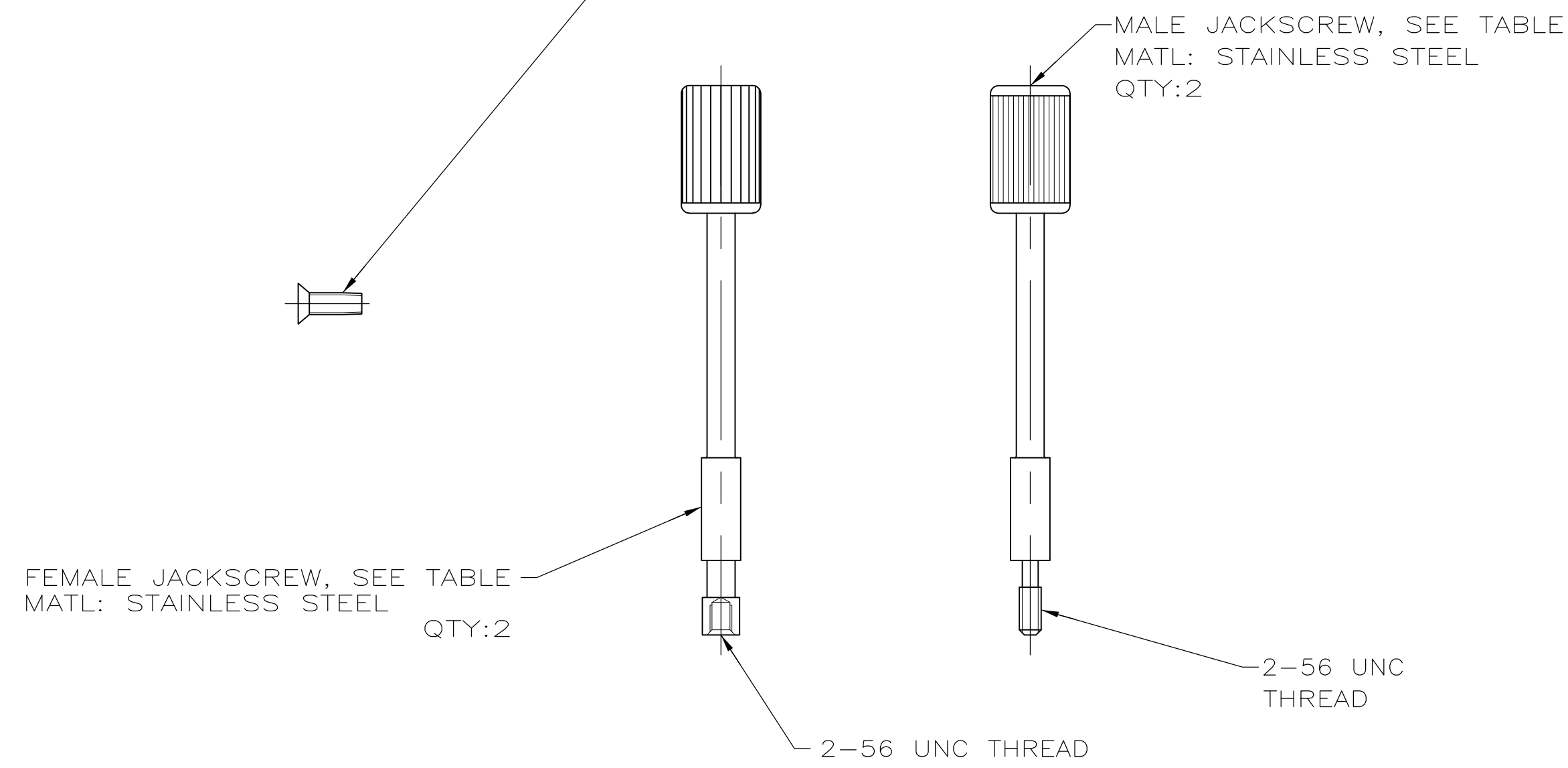
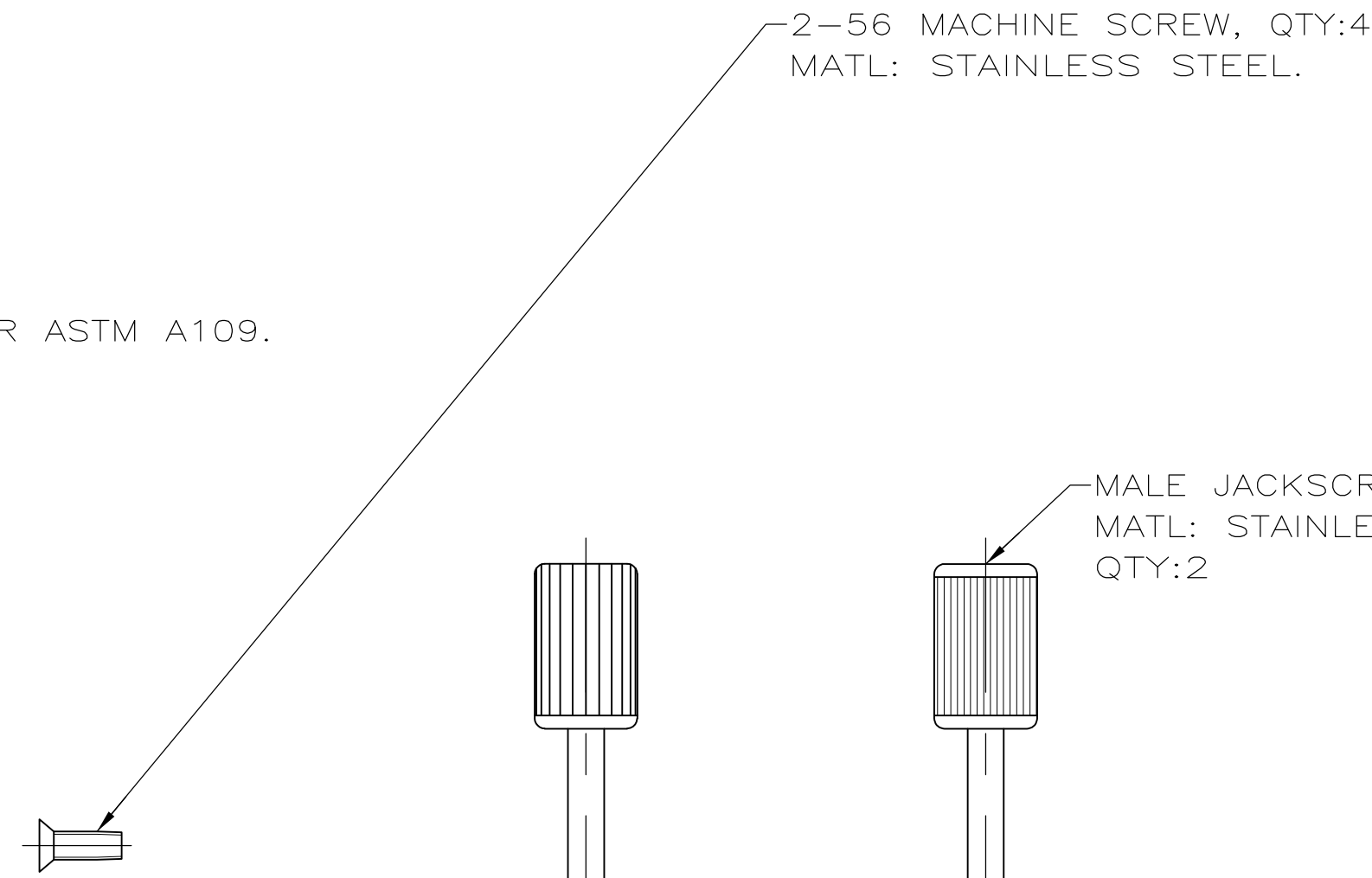
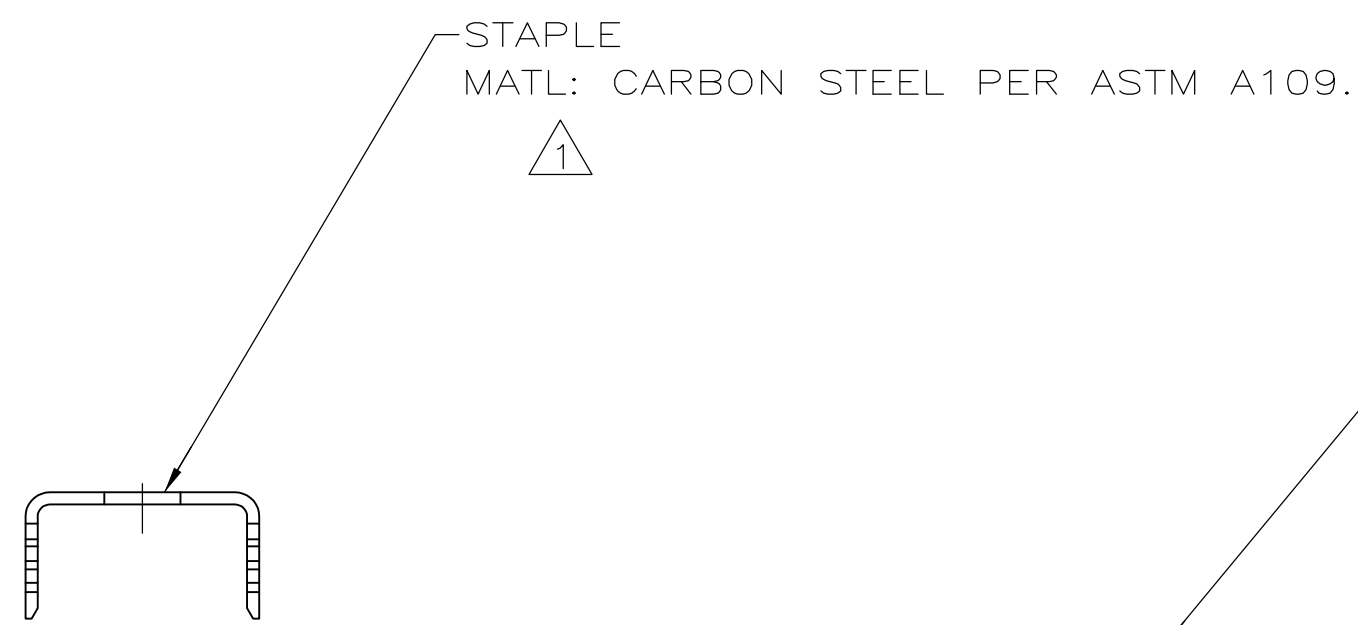


REVISIONS				
P	LT/R	DESCRIPTION	DATE	APP'D
B		REVISED PER ECO-16-005483	13APR2016	AP DG



- ① 1.27 μm [.000050] MIN BRIGHT TIN OVER 1.27 μm [.000050] MIN NICKEL.
- ② 2.54 μm [.000100] MIN NICKEL OVER 5.08 μm [.000200] MIN COPPER.
- ③ PARTS INDIVIDUALLY BULK PACKAGED.

JACKSCREW	CABLE MAX DIA.	PART NO.
FEMALE	8.89 [.350]	5787543-9
FEMALE	10.16 [.400]	5787543-8
FEMALE	11.43 [.450]	5787543-7
MALE	8.89 [.350]	5787543-3
MALE	10.16 [.400]	5787543-2
MALE	11.43 [.450]	5787543-1

THIS DRAWING IS A CONTROLLED DOCUMENT.

<p>APPROVED: G. PETERS 26AUG05</p> <p>CHK: S. SHUEY 26AUG05</p> <p>DRN: M. WALMSLEY 26AUG05</p> <p>PRODUCT SPEC: APPLICATION SPEC</p>	<p>NAME: BACKSHELL KIT, UNASSEMBLED, 40 POSITION .050 SERIES AMPLIMITE</p> <p>SIZE: A1</p> <p>WEIGHT: 0.000000</p> <p>CAGE CODE: 00779</p> <p>DRAWING NO: 5787543</p> <p>CUSTOMER DRAWING</p>	<p>TE Connectivity</p> <p>SCALE: 1:1</p> <p>SHEET 1 OF 1</p> <p>REV B</p>
---	---	---