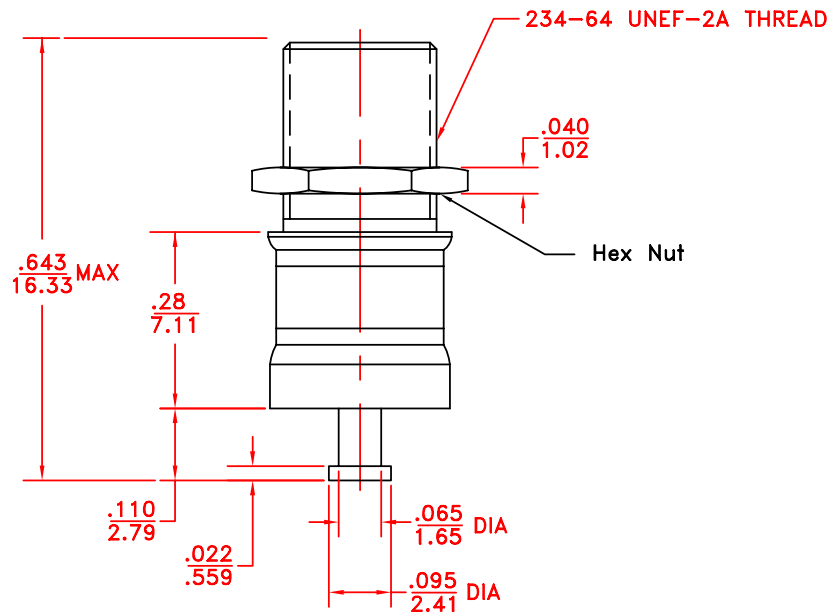
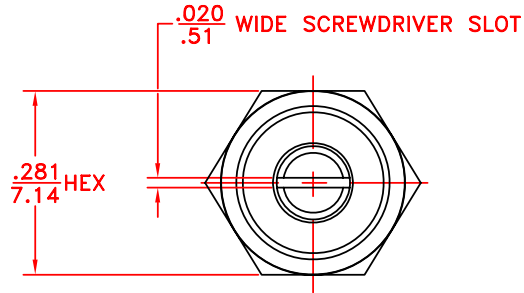


REV	DESCRIPTION	DATE	APP
00	NEW DRAWING	10/10/12	D.D.



NOTES:

1. Capacitance Range: ≤ 2.0 to ≥ 20.0 pF.
2. Working Voltage 1000 VDC
3. Withstanding Voltage test at 2000 VDC
4. $Q @ C_{max}$ and 100 MHz > 2000
5. Operating Temperature -55° C to $+125^{\circ}$ C
6. TC 0 ± 50 ppm
7. Adjustment Torque .5 to 5.0 oz-in
8. Dimensions: (in/mm)
9. Construction: nonmagnetic

TOLERANCES: (EXCEPT AS NOTED)		SPRAGUE GOODMAN ELECTRONICS INC. 1700 SHAMES DRIVE WESTBURY, NY 11590	
DECIMAL: .XX \pm .010 IN .XXX \pm .005mm	MATERIAL:	SCALE: 4:1	DRAWN BY: R. LEVIN APPROVED: D. DITLYA
FRACTIONAL: 1/64	TITLE: OUTLINE DWG SGNMA3T20001		USED FOR:
ANGULAR: 1*	DATE: 10/10/12	DRAWING NUMBER SGNMA3T20001	REV. 00