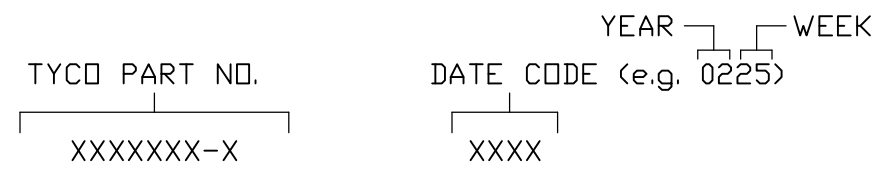


THIS DRAWING IS UNPUBLISHED. RELEASED FOR PUBLICATION
 © COPYRIGHT - BY TYCO ELECTRONICS CORPORATION. ALL RIGHTS RESERVED.

LOC	DIST	REVISIONS					
GP	00	P	LTR	DESCRIPTION	DATE	DWN	APVD
			A	NEW RELEASE	17MAY06	TK	SF

5. REFERENCE ELCON PART NUMBER: 296-0093-01100

4 ITEMS PROVIDED TO THIS SPECIFICATION TO BE PERMANENTLY IDENTIFIED PER THE FOLLOWING IDENTIFIER:



3 RECOMMENDED MOUNTING HARDWARE: TO BE ORDERED SEPARATELY. SHOWN FOR REFERENCE ONLY.
 FOR PANEL MOUNTING, USE:
 1650402-1: SHOULDER SCREW, #8-32
 1650589-1: SHOULDER SCREW, M4 X 0.7
 FOR PCB MOUNTING, USE COMMERCIALY AVAILABLE SCREW AND WASHER (IF REQUIRED).

2. MATERIALS:
 HOUSINGS: THERMOPLASTIC, GLASS REINFORCED, UL94V-0 FLAMMABILITY RATED, COLOR-BLACK.
 RETENTION CLIPS: BERYLLIUM COPPER OR STAINLESS STEEL.

1. PART NUMBER CHANGES AND OR DESIGN CHANGES AFFECTING ITEM INTERCHANGEABILITY REQUIRE PRIOR TYCO APPROVAL AND AUTHORIZATION BY REVISION TO THIS DRAWING.

NOTES: UNLESS OTHERWISE SPECIFIED

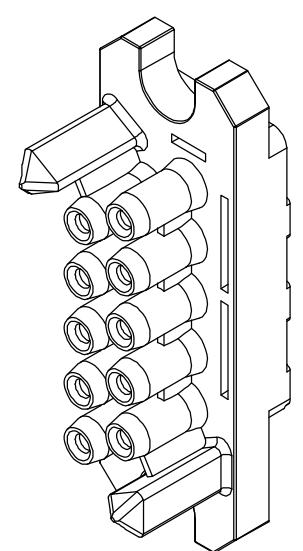
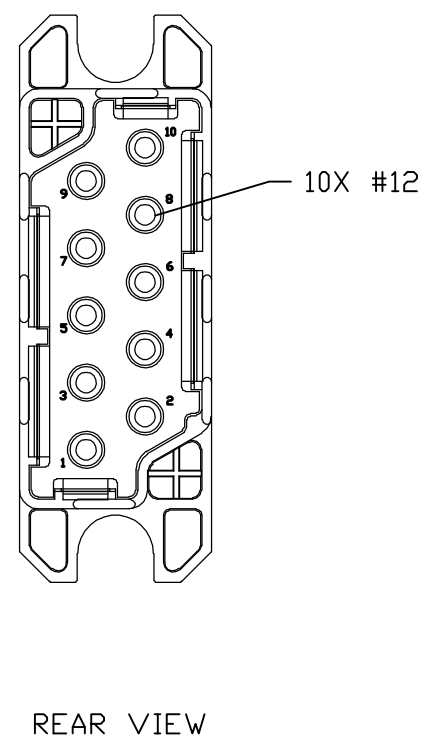
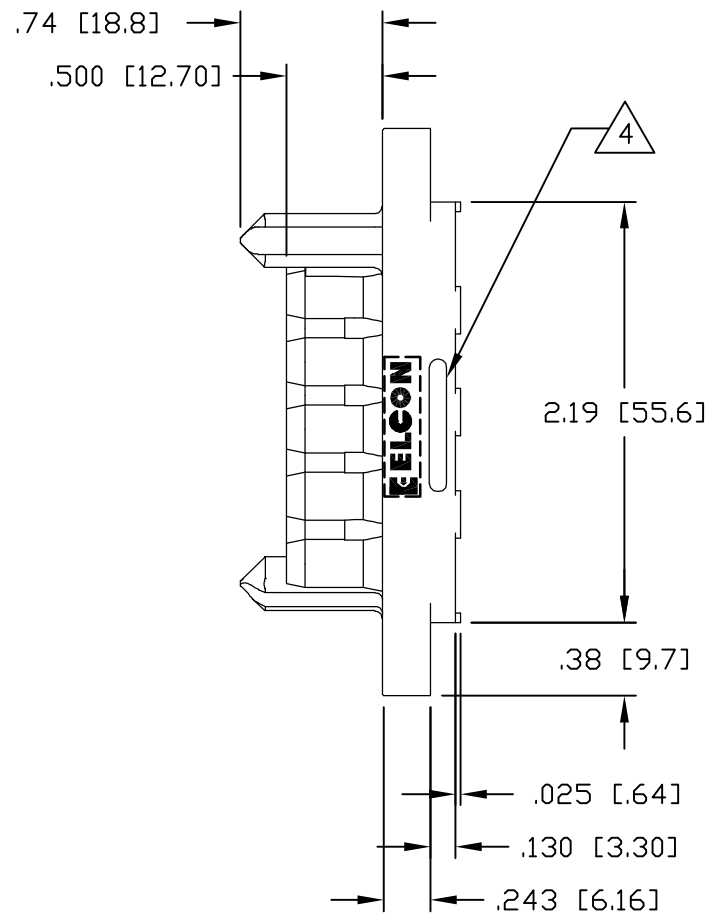
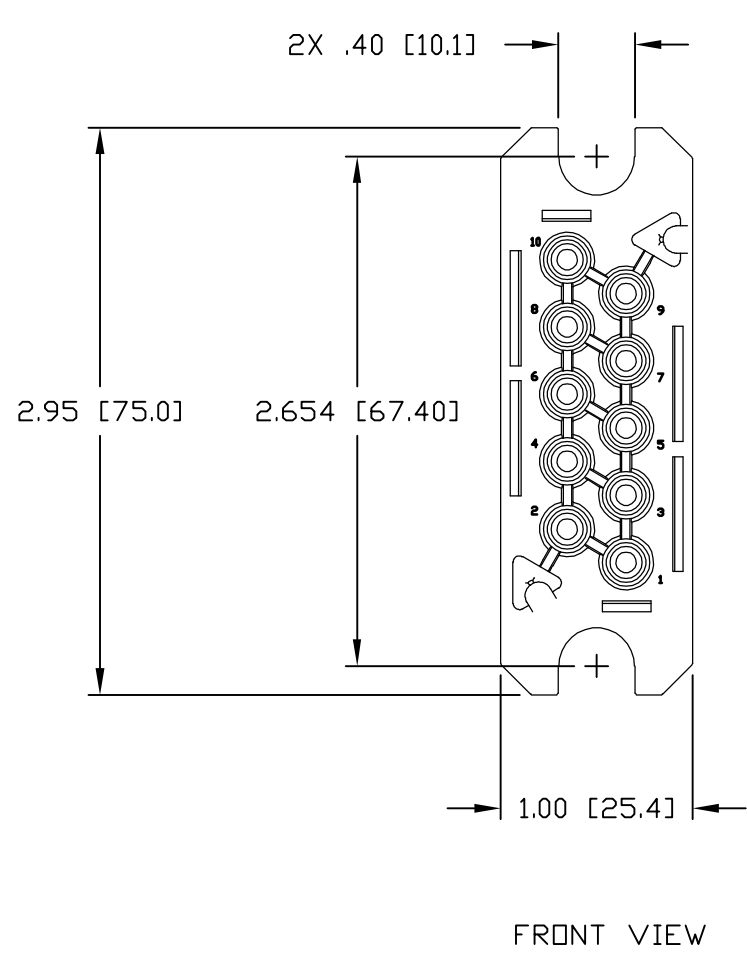
AS SHOWN 1648596-1

ELCON P10S0 DRAWER

THIS DRAWING IS A CONTROLLED DOCUMENT.		DWN T.KRAYBILL 19MAY2006	Tyco Electronics Corporation Harrisburg, PA 17105-3608			
DIMENSIONS: INCHES		CHK S.FLICKINGER 19MAY06				
		APVD S.FLICKINGER 19MAY06	NAME P10S0 DRAWER CONNECTOR, SOCKET			
TOLERANCES UNLESS OTHERWISE SPECIFIED:		PRODUCT SPEC	APPLICATION SPEC			
0 PLC ± - 1 PLC ± - 2 PLC ± .02 3 PLC ± .010 4 PLC ± - ANGLES ± .5		WEIGHT	SIZE	CAGE CODE	DRAWING NO	RESTRICTED TO
MATERIAL	FINISH	-	A3	00779	C-1648596	-
CUSTOMER DRAWING			SCALE	SHEET	REV	
			1:1	1 OF 3	A	

THIS DRAWING IS UNPUBLISHED. RELEASED FOR PUBLICATION
 © COPYRIGHT - BY TYCO ELECTRONICS CORPORATION. ALL RIGHTS RESERVED.

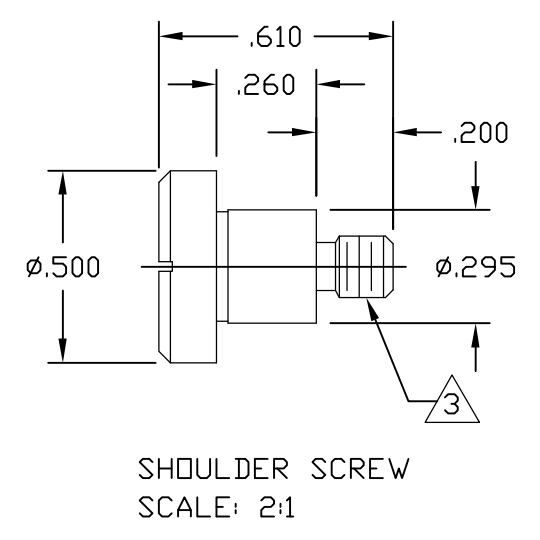
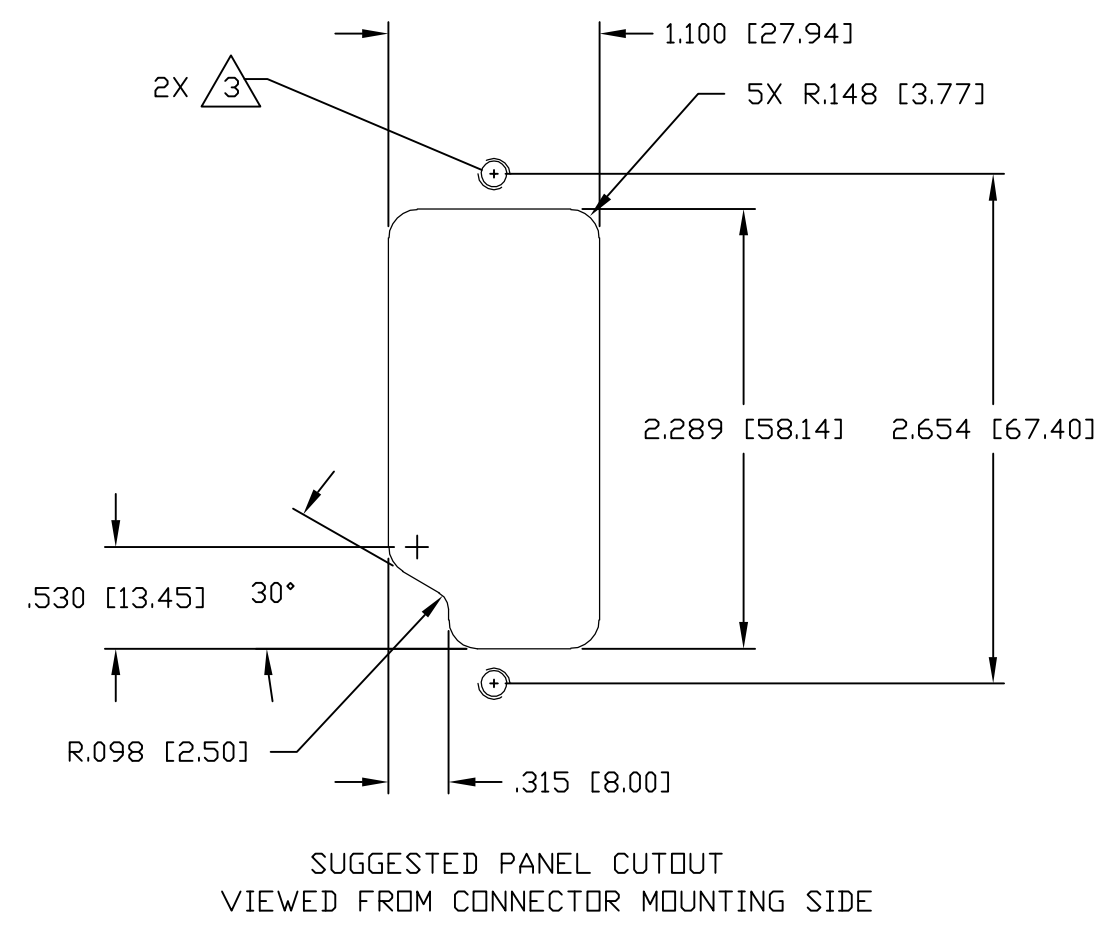
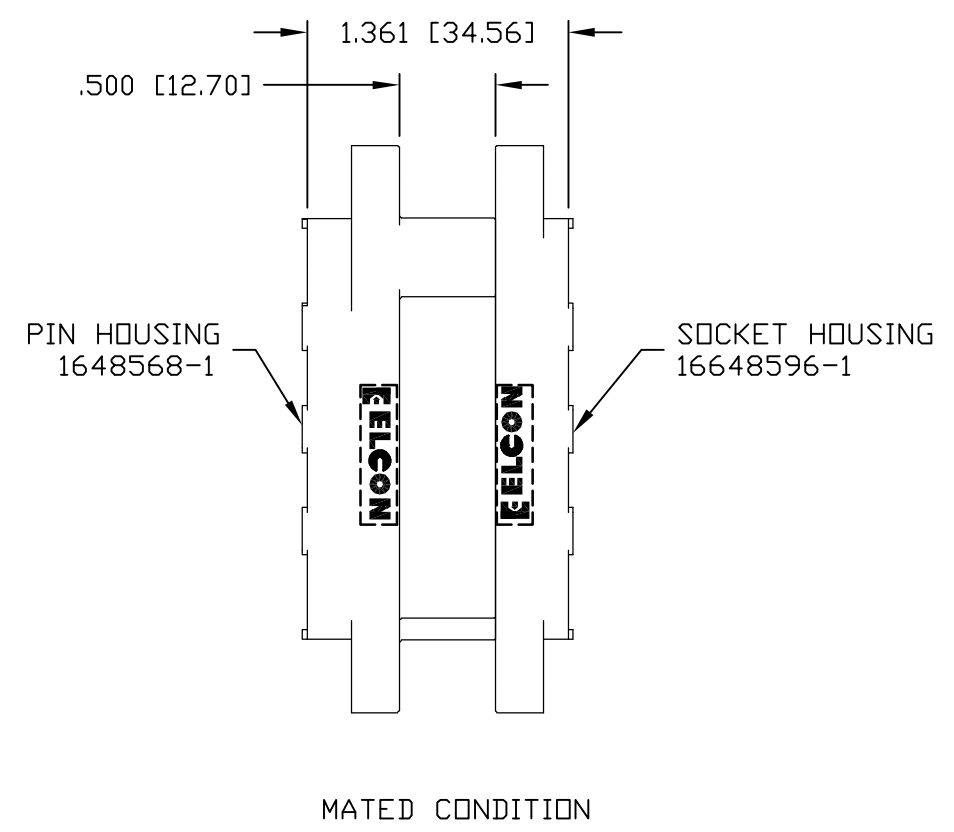
LOC	DIST	REVISIONS					
GP	00	P	LTR	DESCRIPTION	DATE	DWN	APVD
		-		SEE SHEET 1	-	-	-



THIS DRAWING IS A CONTROLLED DOCUMENT.		DWN T.KRAYBILL 19MAY2006	Tyco Electronics Corporation Harrisburg, PA 17105-3608	
DIMENSIONS: INCHES		CHK S.FLICKINGER 19MAY06	NAME P10S0 DRAWER CONNECTOR, SOCKET	
		APVD S.FLICKINGER 19MAY06	PRODUCT SPEC	
TOLERANCES UNLESS OTHERWISE SPECIFIED: 0 PLC ± - 1 PLC ± - 2 PLC ± .02 3 PLC ± .010 4 PLC ± - ANGLES ± .5		APPLICATION SPEC		
MATERIAL		WEIGHT	SIZE A3	RESTRICTED TO
			CAGE CODE 00779	
			DRAWING NO C-1648596	
		CUSTOMER DRAWING		SCALE 1:1
		SHEET 2 OF 3		REV A

THIS DRAWING IS UNPUBLISHED. RELEASED FOR PUBLICATION
 © COPYRIGHT - BY TYCO ELECTRONICS CORPORATION. ALL RIGHTS RESERVED.

LOC	DIST	REVISIONS			
P	LTR	DESCRIPTION	DATE	DWN	APVD
GP	00	SEE SHEET 1	-	-	-



THIS DRAWING IS A CONTROLLED DOCUMENT.		DWN T.KRAYBILL 19MAY2006	Tyco Electronics Corporation Harrisburg, PA 17105-3608	
DIMENSIONS: INCHES		CHK S.FLICKINGER 19MAY06	NAME P10S0 DRAWER CONNECTOR, SOCKET	
		APVD S.FLICKINGER 19MAY06	PRODUCT SPEC	
TOLERANCES UNLESS OTHERWISE SPECIFIED:		APPLICATION SPEC		
0 PLC ± - 1 PLC ± - 2 PLC ± .02 3 PLC ± .010 4 PLC ± - ANGLES ± .5		SIZE A3	CAGE CODE 00779	DRAWING NO C-1648596
MATERIAL		WEIGHT	RESTRICTED TO	
-		-	-	
CUSTOMER DRAWING			SCALE 1:1	SHEET 3 OF 3
			REV A	