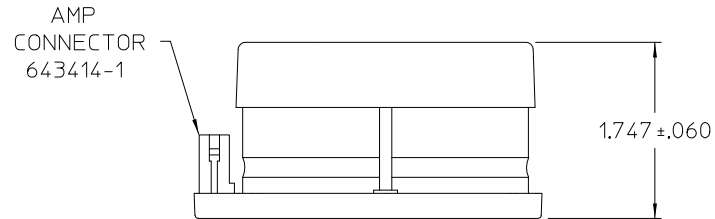
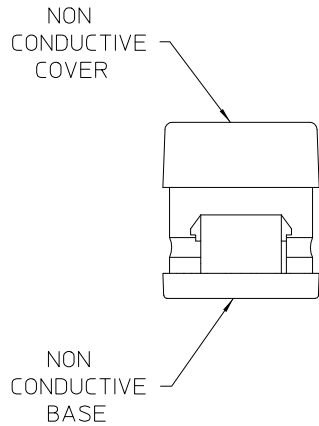
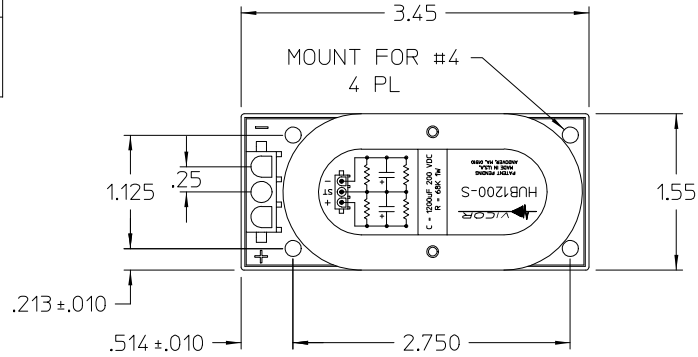


VICOR CONFIDENTIAL

THIS DOCUMENT AND THE DATA DISCLOSED HEREIN OR HEREWITH IS NOT TO BE REPRODUCED, USED, OR DISCLOSED IN WHOLE OR IN PART TO ANYONE WITHOUT PERMISSION OF VICOR CORP.

REV.	DESCRIPTION	DATE	APPROVED
01	RELEASED PER E980365	DPK	9/14/98 RCM
02	REVSD- E980451	RCM	12/1/98 DPK
03	REVSD PER E990386	AK	9/14/99 RCM
04	REVSD PER E990450	RCM	3/6/00 DPK
5	REVISED PER E0430458	PEI	09/30/04 CF
6	REVISED PER ECO Request E064403	REJH	08/04/06 SH

VICOR HUB PART NO.	MATING CONNECTOR		
	ORDER FROM: AMP		ORDER FROM: VICOR
	HOUSING (QTY 1)	PINS (QTY 3)	HOUSING/PINS KIT (QTY 1)
HUB1200-S	770018-1	770248-1	21393



AT +105°C, 120HZ UNLESS OTHERWISE NOTED					
ITEM	CHARACTERISTICS				
OPERATING TEMPERATURE	-40 to +105°C				
CAPACITANCE TOLERANCE @+20°C	±20%				
RIPPLE CURRENT MULTIPLIER	AMBIENT TEMPERATURE (°C)				
	+45	+60	+70	+85	+105
DISSIPATION FACTOR @ +20°C	2.64	2.23	2.12	1.73	1.00
RATED VOLTAGE (WVDC)	0.1				
CAPACITANCE VALUE (C1, C2 EA. µF)	200				
MAXIMUM ESR (OHMS) @ +20°C	1200				
MAXIMUM RIPPLE CURRENT (A rms)	0.120				
	2.50				

Note: RoHS compliant, lead free per CST-0001 latest revision.

DRAWN BY C HUTCHINS	DATE 7/97				
<small>UNLESS OTHERWISE SPECIFIED DIMENSIONS ARE IN INCHES- TOLERANCES ARE: FRACTIONS DECIMALS ANGLES</small> +1/64 .XX+ .01 .1° .XXX-.005 .1°					
THIRD ANGLE PROJECTION		SIZE C	FSCM NO. 67131	DWG NO. 16765	REV 6
DO NOT SCALE DRAWING		SCALE FULL	SHEET 1 OF 1		