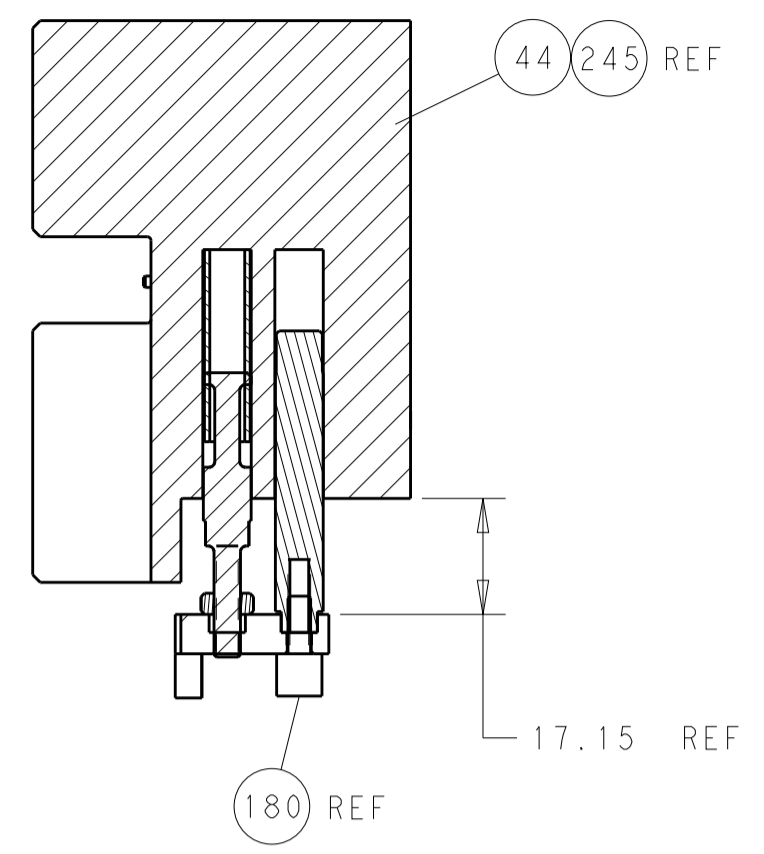


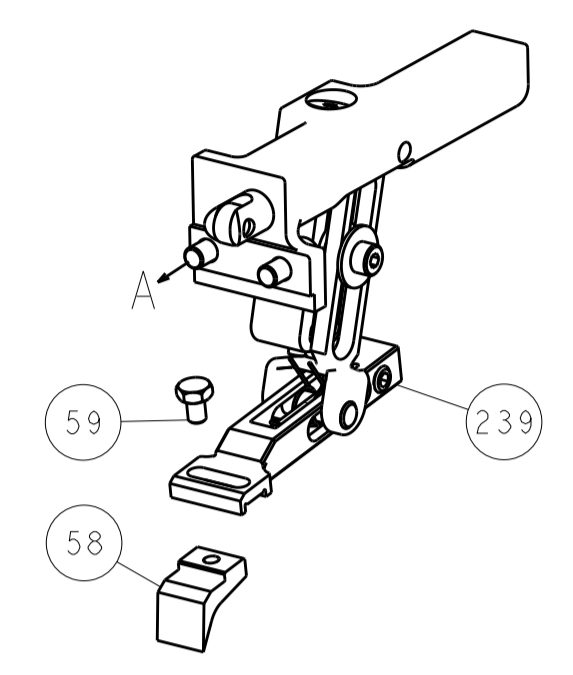


LOC		DIST		REVISIONS			
A	66	P	LTM	DESCRIPTION	DATE	OWN	APVD
				SEE SHEET 1			

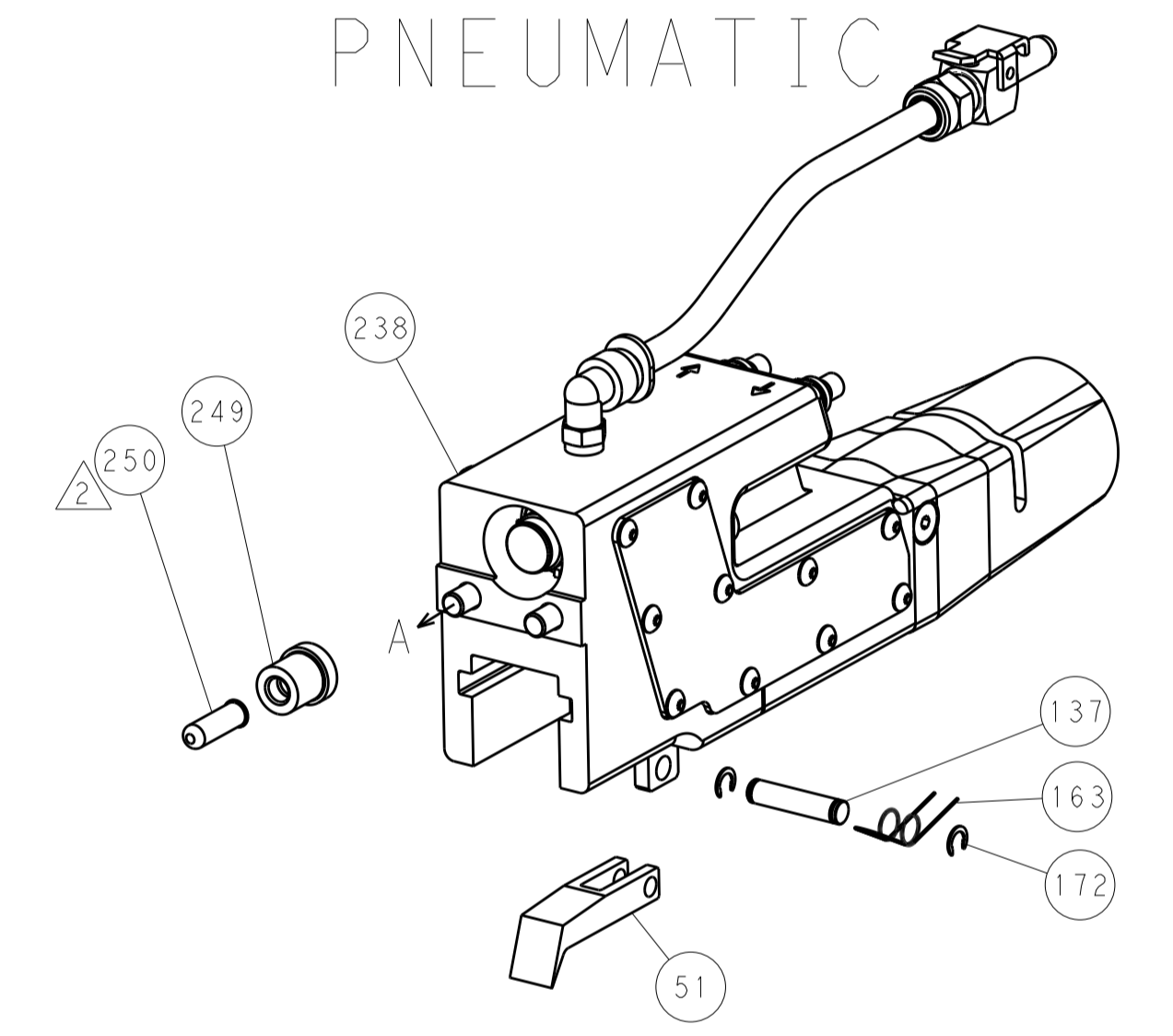


HOLDDOWN SET-UP

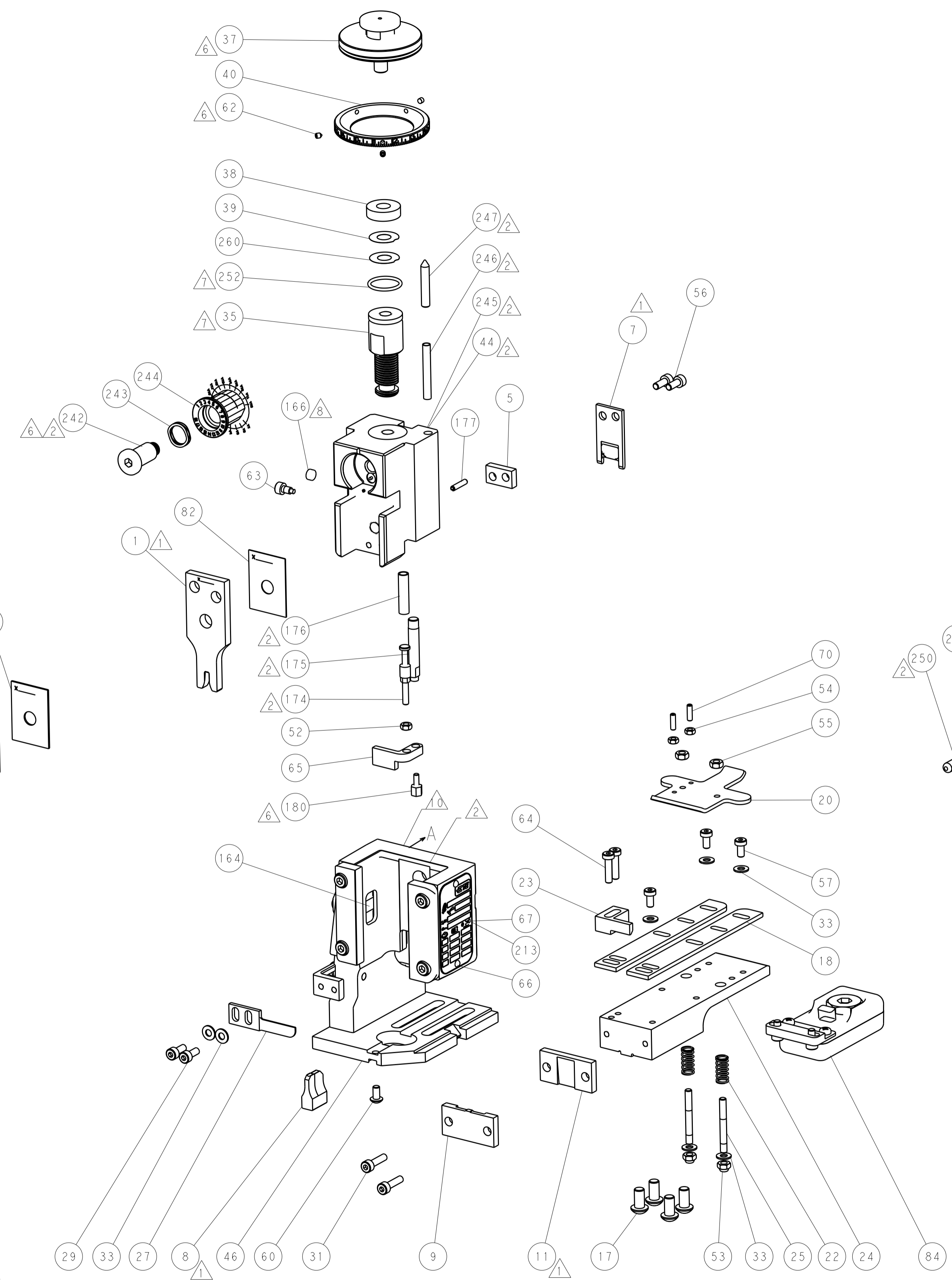
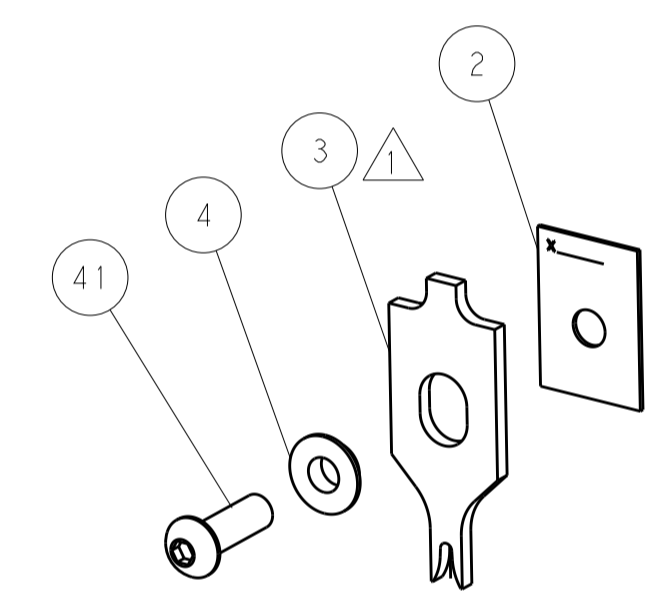
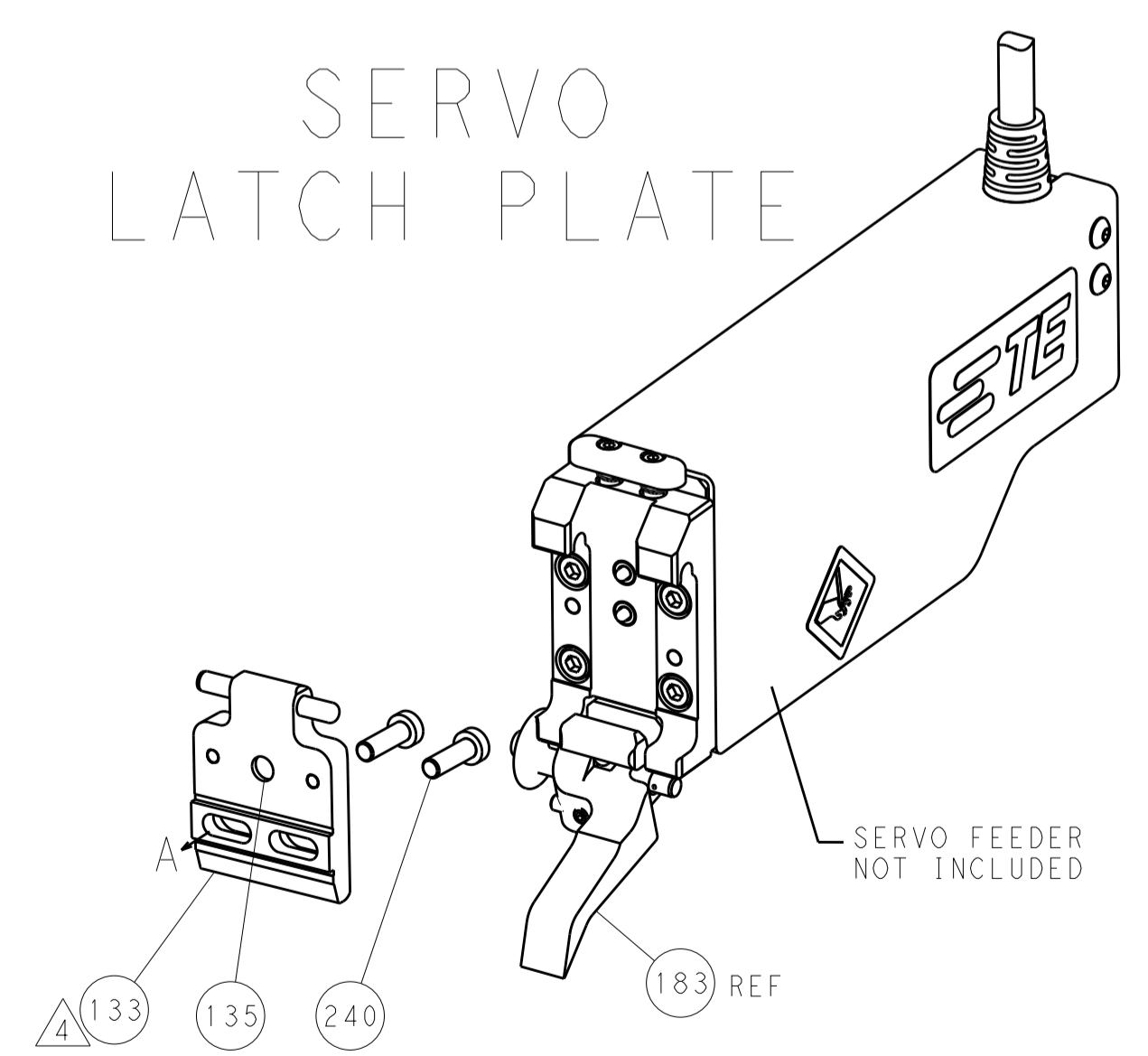
FEED TYPE  
MECHANICAL



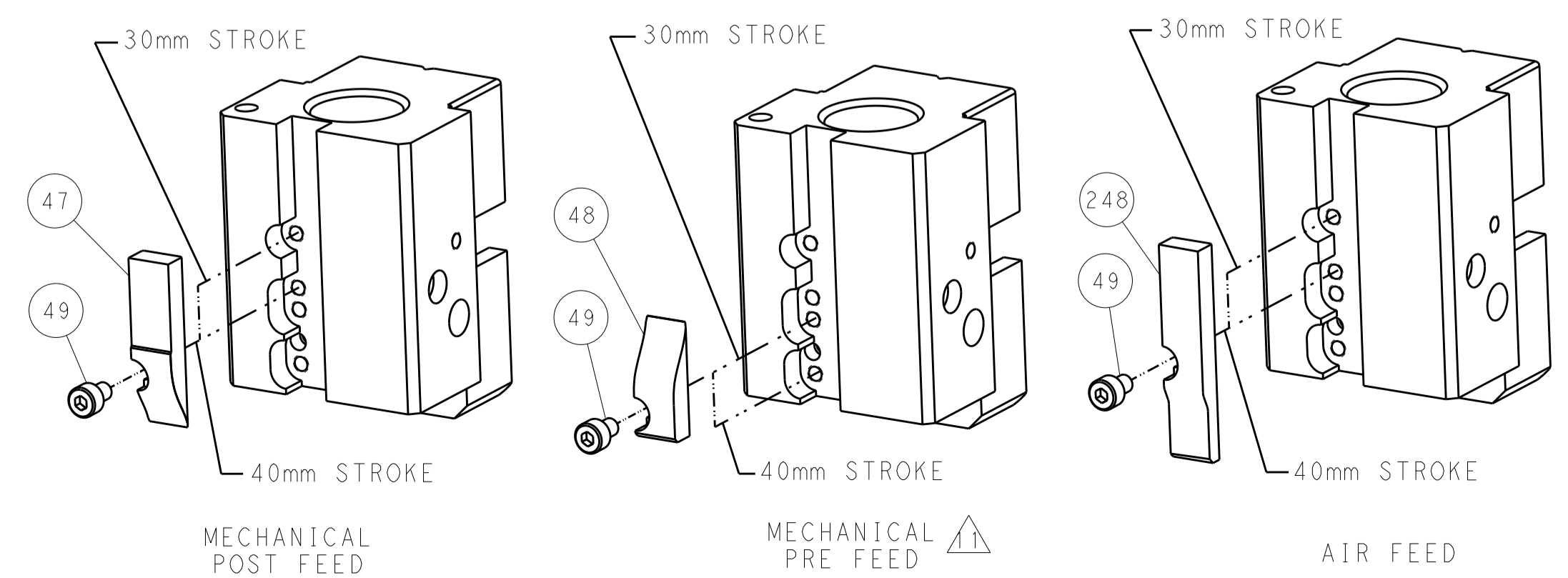
PNEUMATIC



SERVO  
LATCH PLATE



CAM POSITIONS

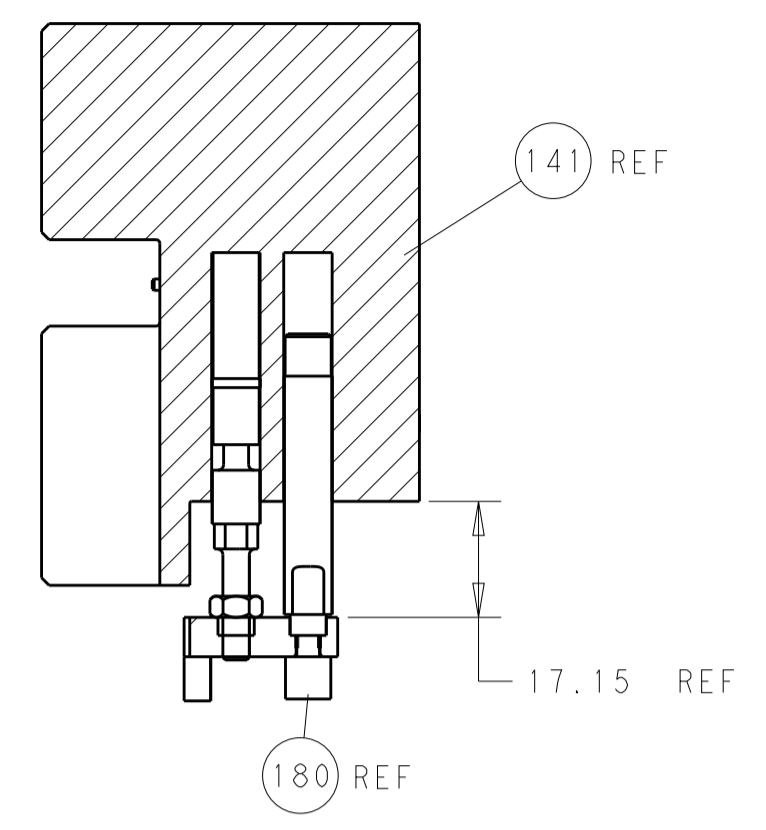


ATLANTIC VERSION  
 Shown on sheets 1 of 4 & 2 of 4  
 (Pacific version shown on sheets 3 of 4 & 4 of 4)

DIMENSIONS:		TOLERANCES UNLESS OTHERWISE SPECIFIED:		DWG: J. HOU 15JUN2015		TE Connectivity	
mm	0 PLC	±		CHK: L. ZHANG 15JUN2015	NAME: Ocean End Feed Applicator		TE Connectivity Harrisburg, PA 17105-3608
	1 PLC	±		APPV: H. GUO 15JUN2015	RESTRICTED TO		
	2 PLC	±		PRODUCT SPEC			
	3 PLC	±		APPLICATION SPEC			
	4 PLC	±		WEIGHT			
	ANGLES	±		SCALE			
	FINISH			CUSTOMER ACCESSIBLE PRODUCTION DRAWING			

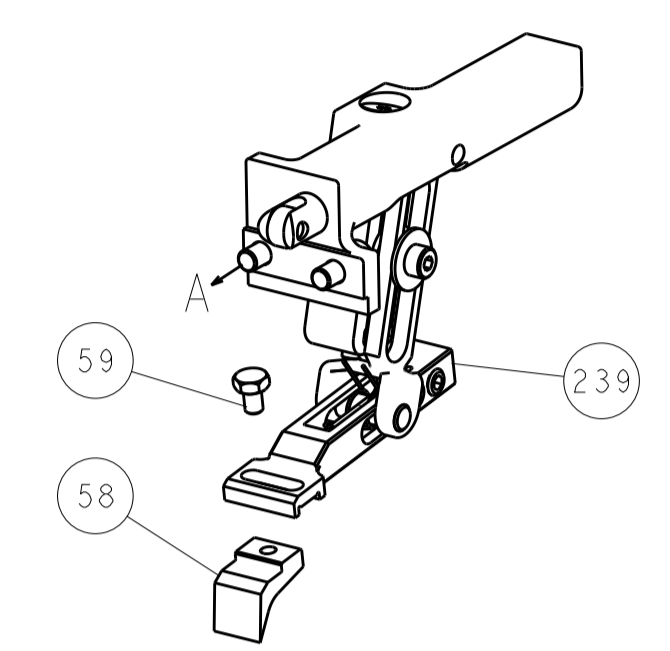


LOC		DIST		REVISIONS			
A	66	P	LTM	DESCRIPTION	DATE	OWN	APVD
				SEE SHEET 1			

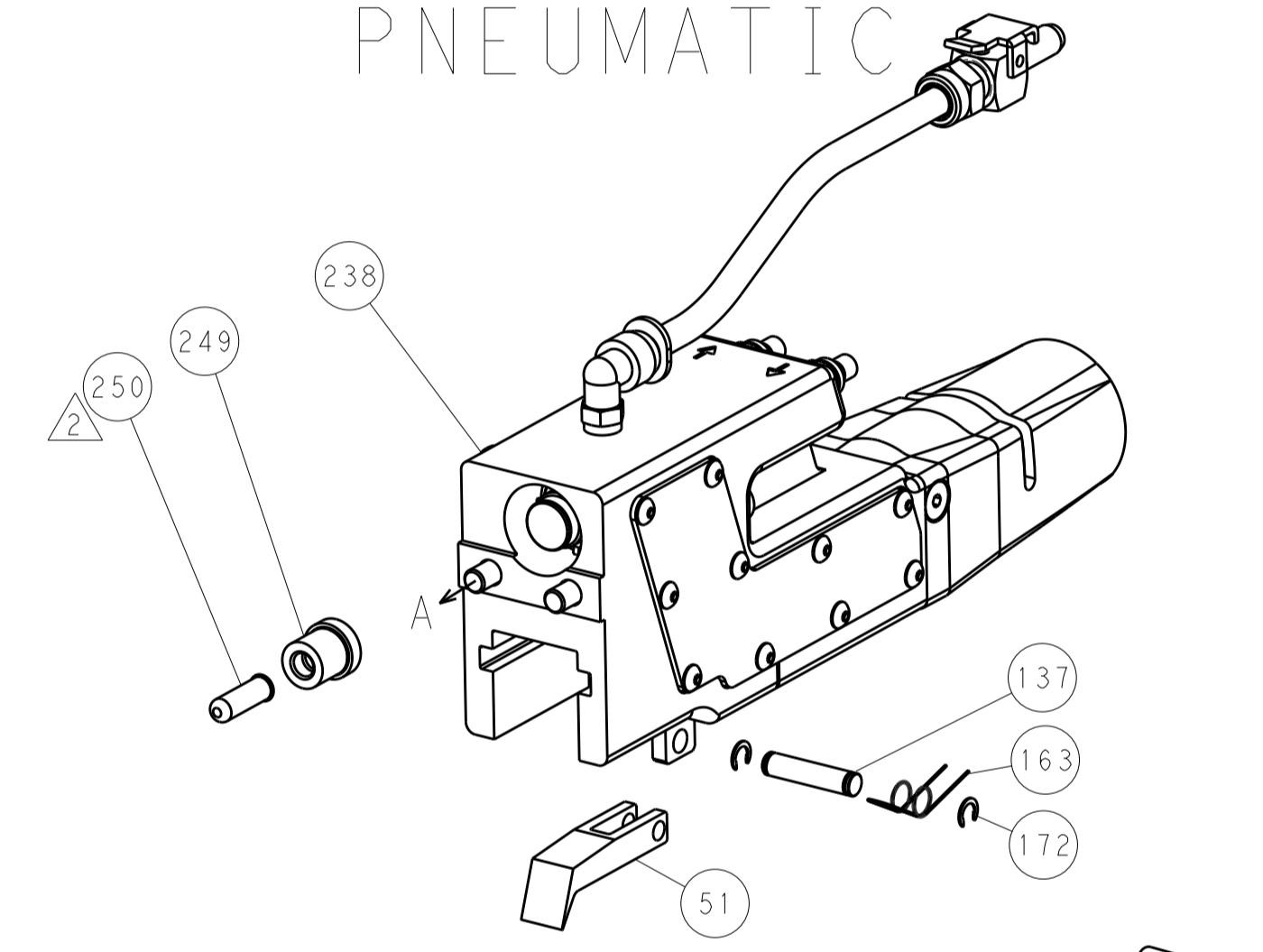


HOLDDOWN SET-UP

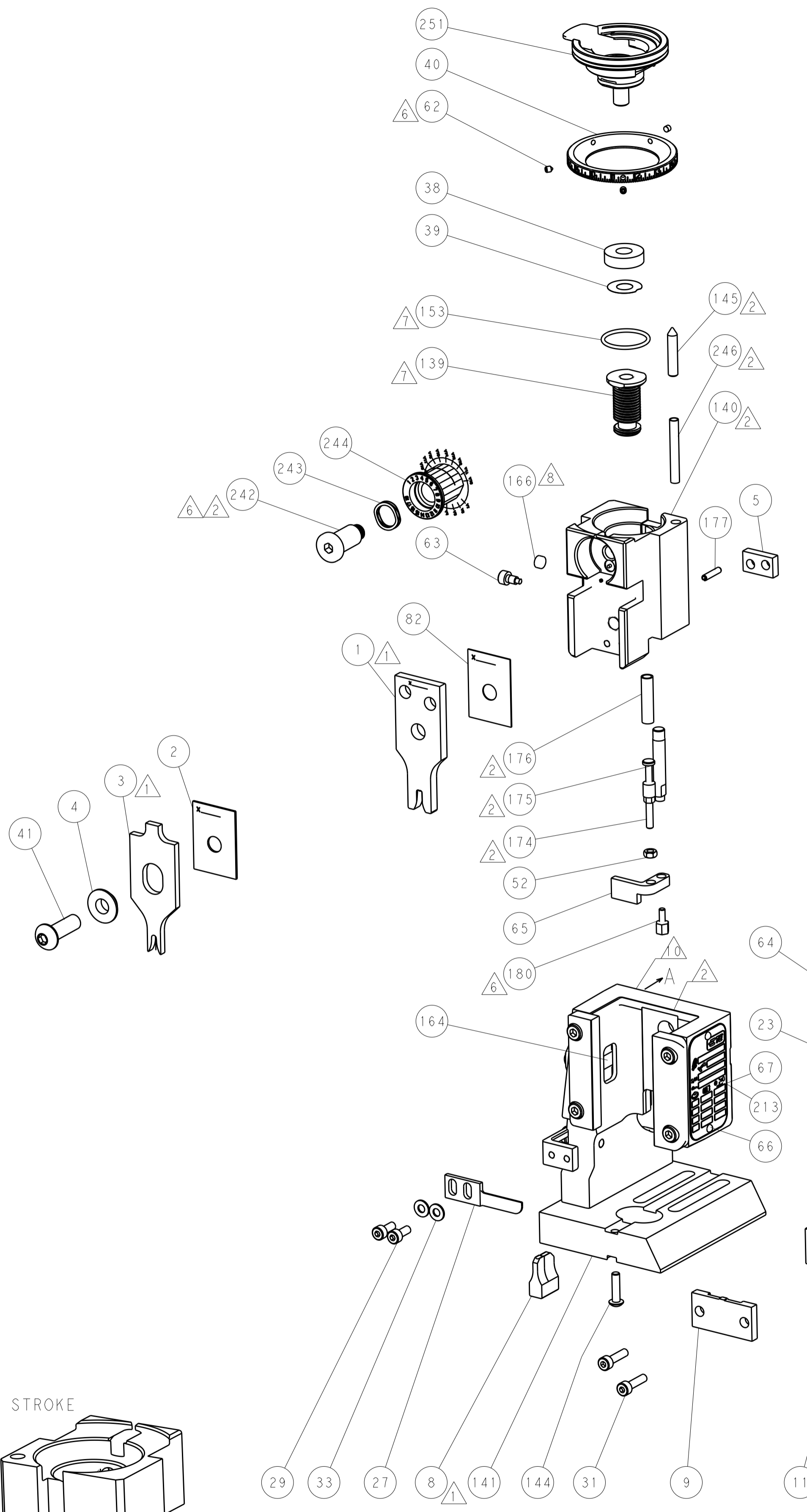
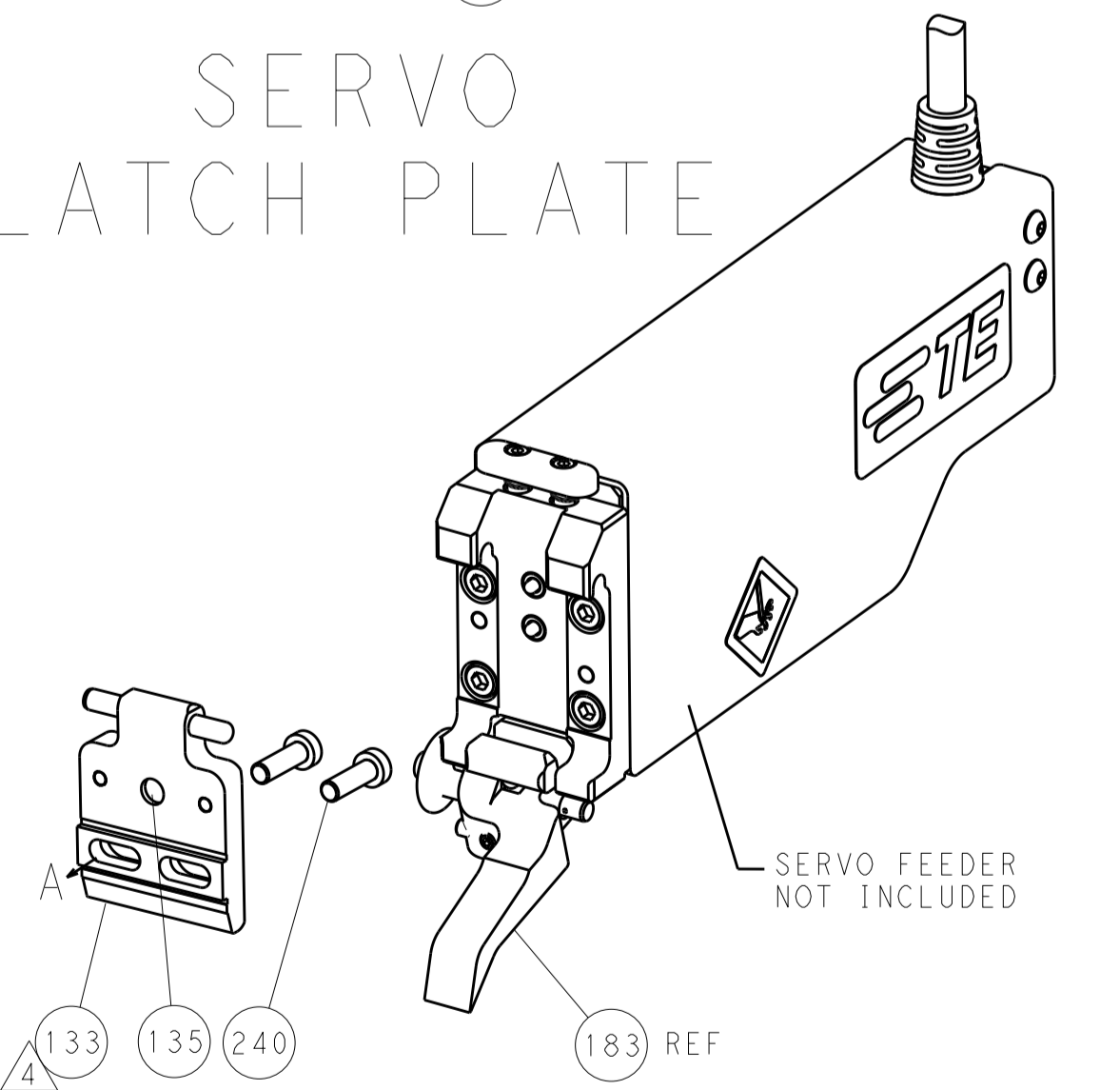
FEED TYPE  
MECHANICAL



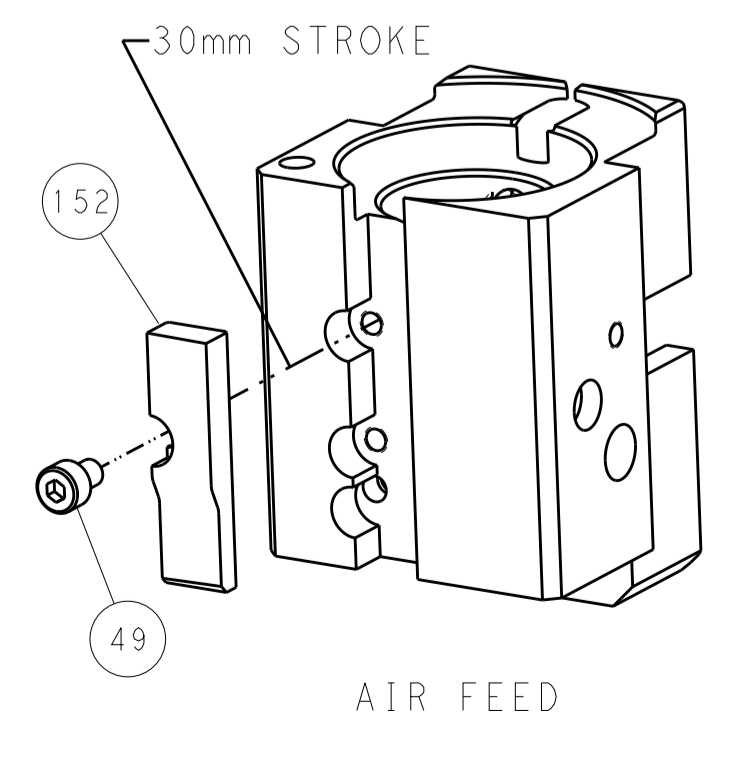
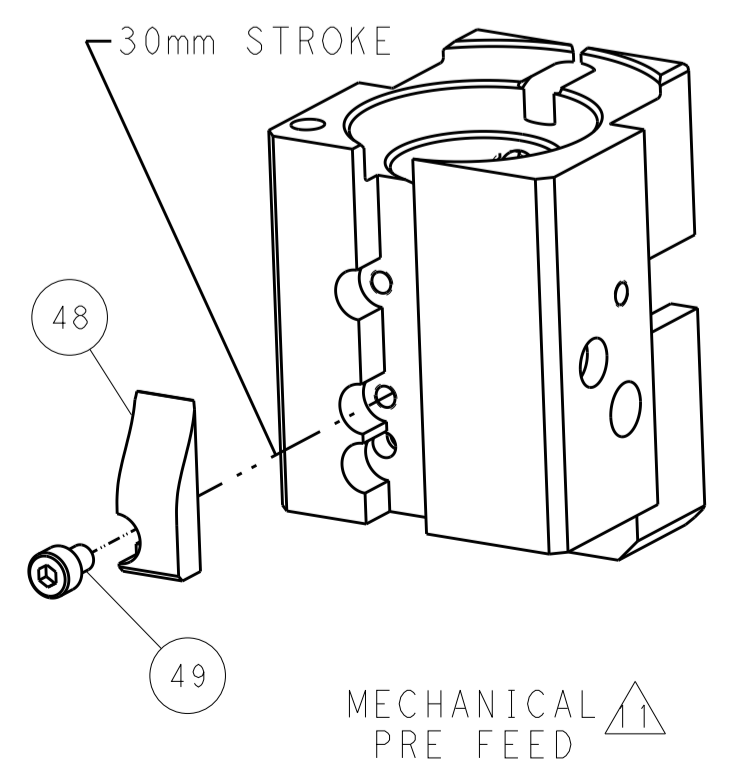
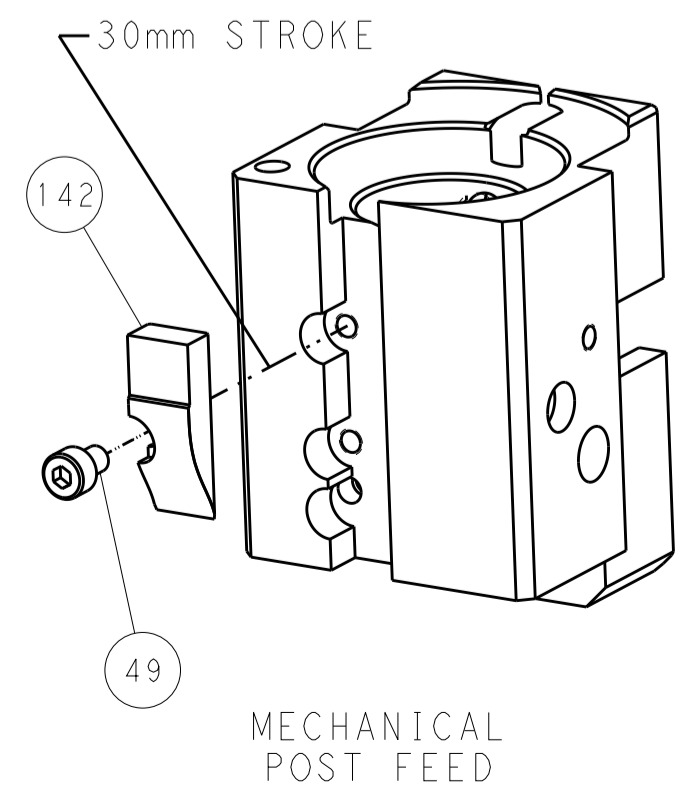
PNEUMATIC



SERVO LATCH PLATE



CAM POSITIONS



**PACIFIC VERSION**  
 Shown on sheets 3 of 4 & 4 of 4  
 (Atlantic version shown on sheets 1 of 4 & 2 of 4)

DIMENSIONS:		TOLERANCES UNLESS OTHERWISE SPECIFIED:		DWN: J. HOU 15JUN2015		CHK: L. ZHANG 15JUN2015		APVD: H. GUO 15JUN2015		NAME: Ocean End Feed Applicator	
mm	0 PLC	±		SIZE	CAGE CODE	DRAWING NO.	RESTRICTED TO				
	1 PLC	±		A1		00779	©=2150551				
	2 PLC	±		Customer Accessible Production Drawing		SCALE	1:1	SHEET	4	OF	4
	3 PLC	±						REV		A	
	4 PLC	±									
	ANGLES	±									
	FINISH										