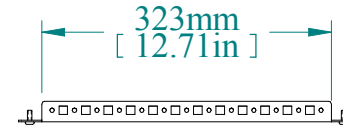
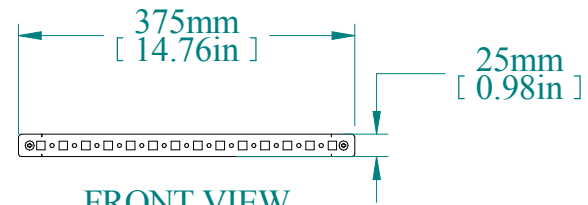


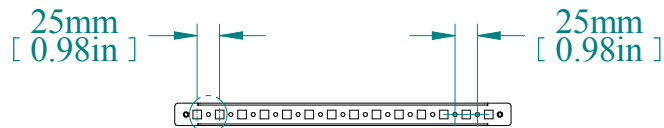
ISOMETRIC VIEW



TOP VIEW



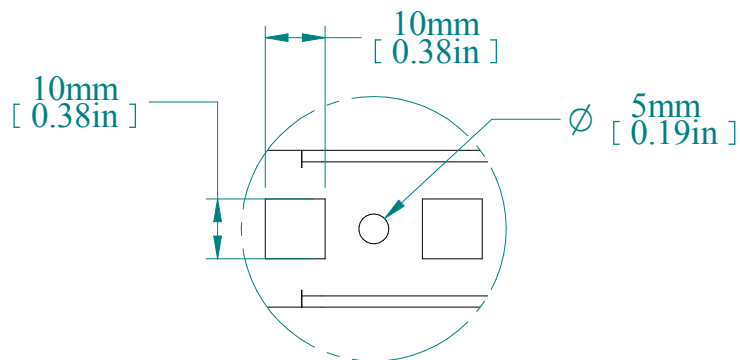
FRONT VIEW



A REAR VIEW



L.S VIEW



DETAIL A

PART NUMBERS	
HGD15	14 GA STEEL GALVANIZED

NOTES
Grid Straps feature pattern of alternating square holes (for cage nut) and round holes (for M5 or #12 screw) at standard 25 mm centers See Hammond Website for Additional Accessories.

Data subject to change without notice. Isometric drawing not to scale.



**HAMMOND
MANUFACTURING™**
www.hammondmfg.com
PART NO. HGD15