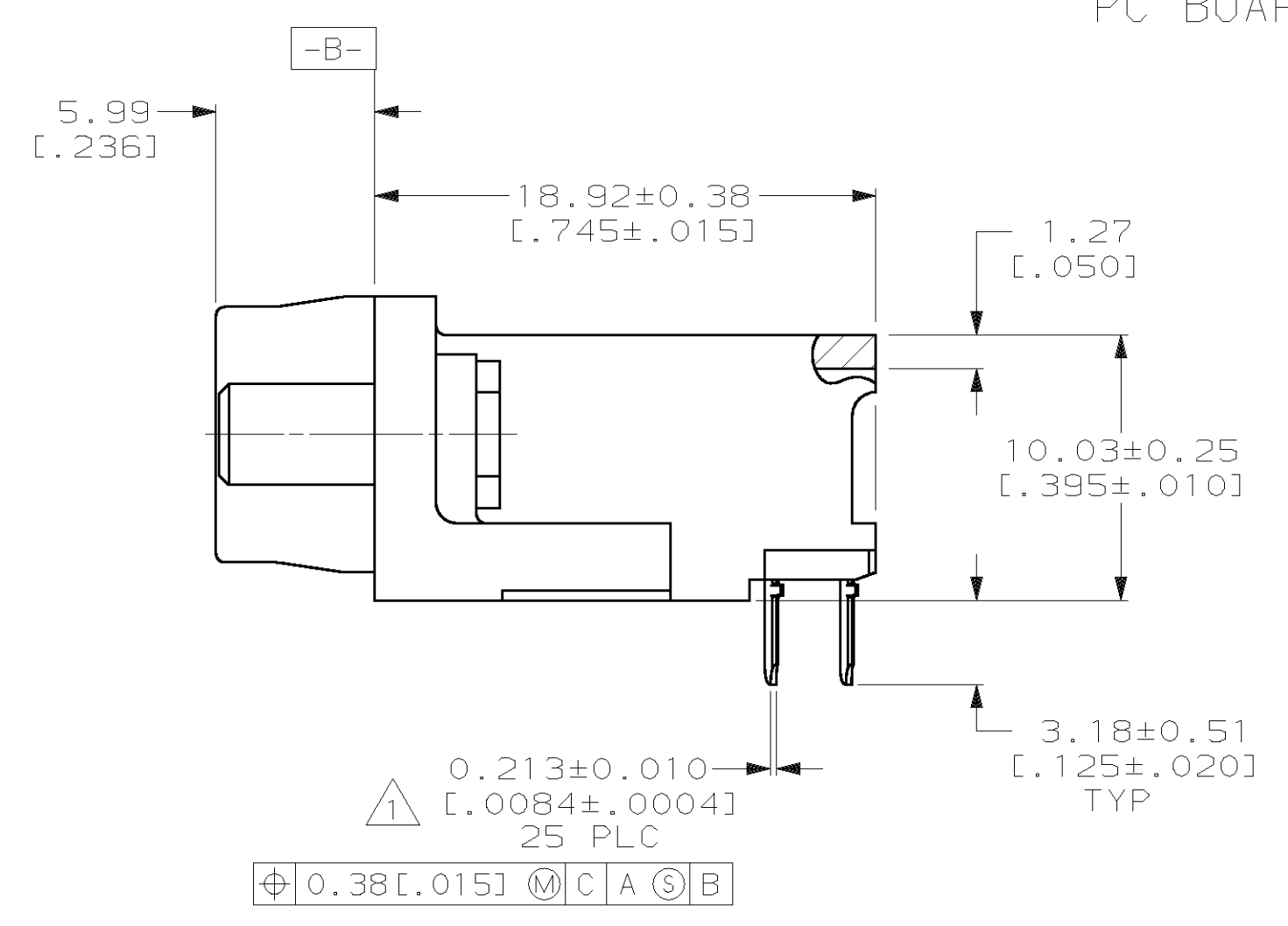
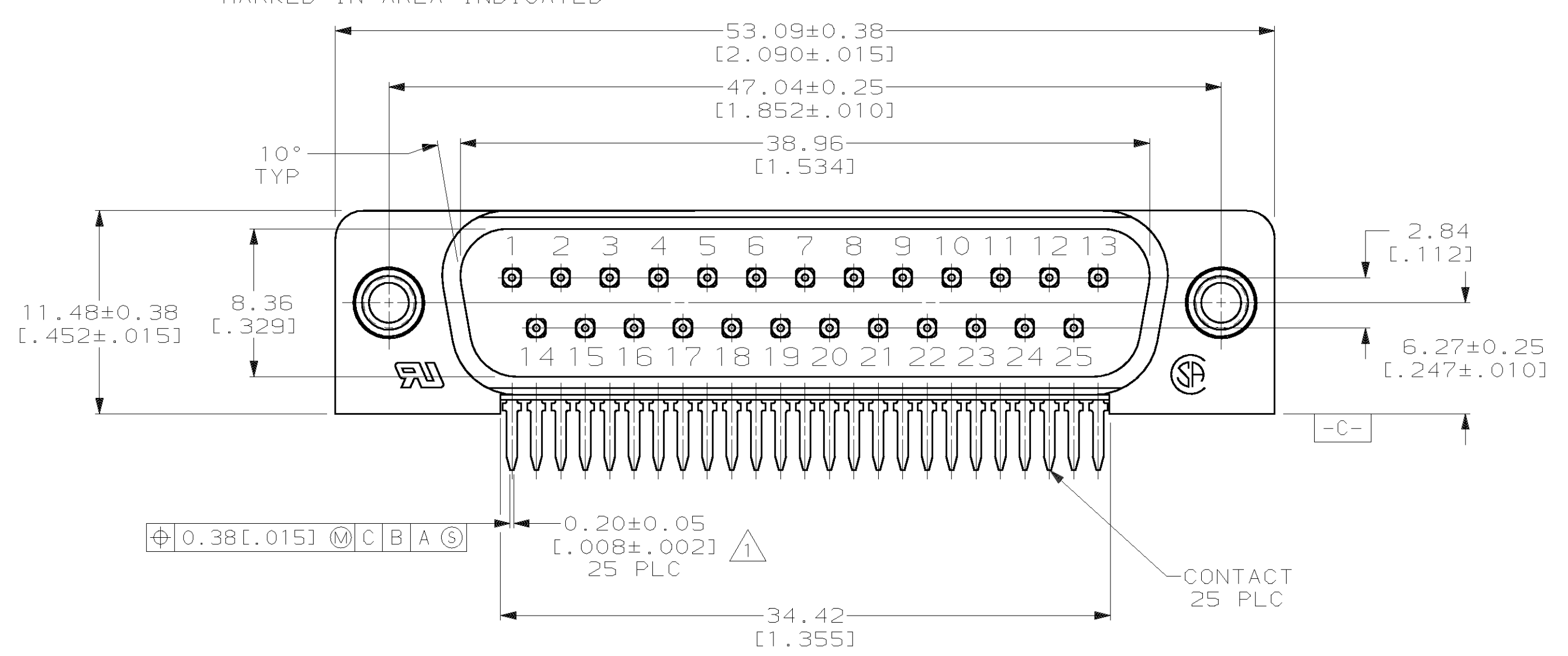
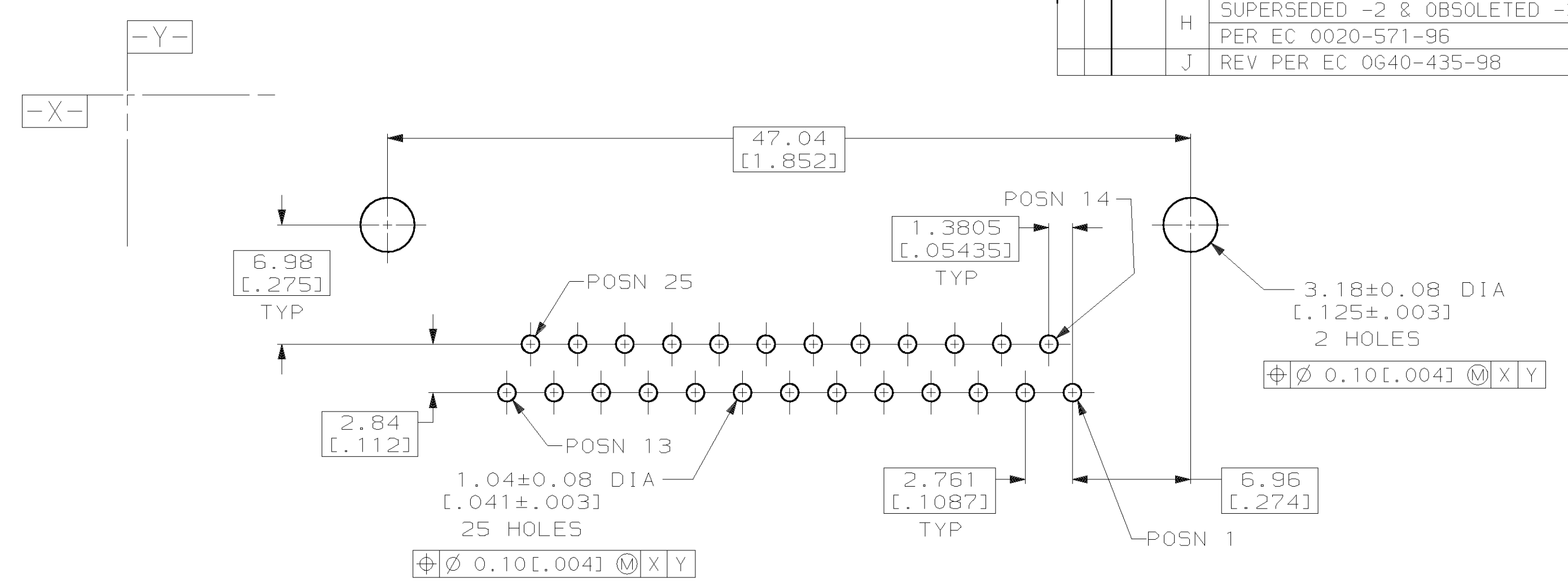
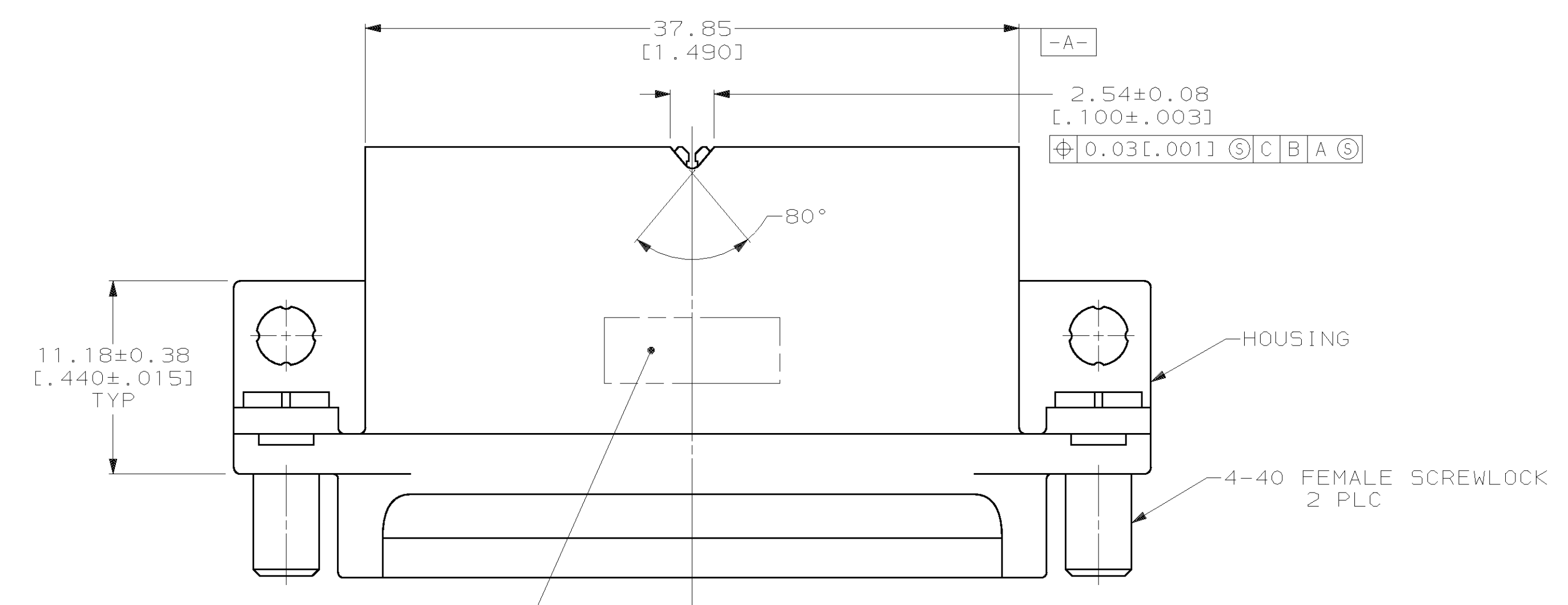
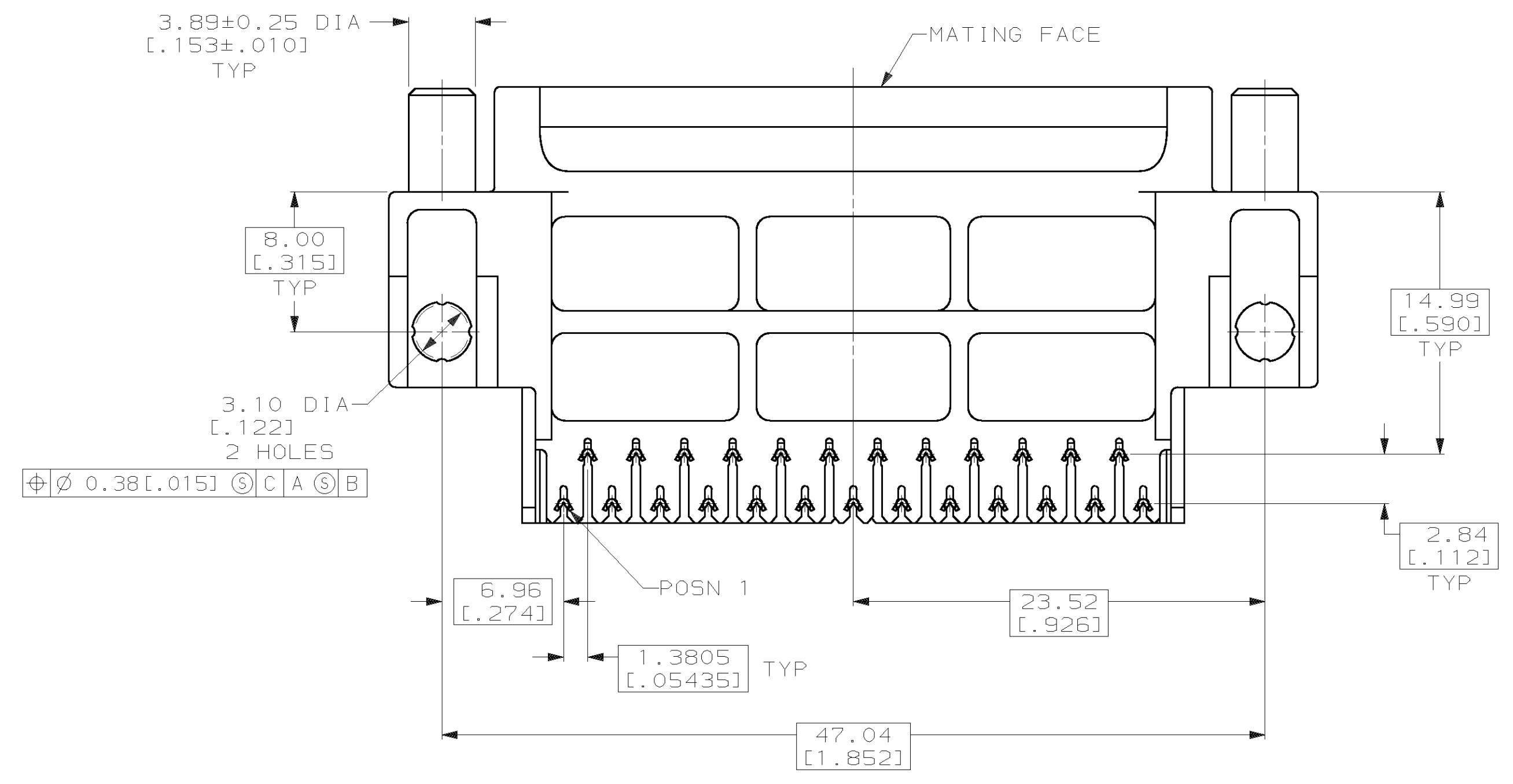


LOC		DIST		P		ZONE		LTR		REVISIONS		DATE	APPR
BD	77									DESCRIPTION			
									G	REV PER EC 0020-1053-95	05 JAN 96	RLT	
									H	SUPERSEDED -2 & OBSOLETE -3 PER EC 0020-571-96	24 MAR 97	RT	
									J	REV PER EC 0640-435-98	18 MAR 99	RT	



PC BOARD MOUNTING DIMENSIONS



- ① POSITION TOLERANCE APPLIES AT TIP ONLY.
- ② NYLON OR POLYESTER, UL94V-0, BLACK.
- ③ BRASS PER MIL-C-50
- ④ GOLD PLATING PER MIL-G-45204, NICKEL PLATING PER QQ-N-290, TIN PLATING PER MIL-T-10727.
- ⑤ GOLD PLATED FOR A LENGTH OF 3.81 [0.150] MIN FROM MATING END, 0.76µm [0.000030] MIN GOLD IN MATED AREA. 3.05µm [0.000120] MIN TIN-LEAD FOR A LENGTH OF 3.68 [0.145] MIN FROM OPPOSITE END, BOTH OVER 1.27µm [0.000050] MIN NICKEL.
- ⑥ GOLD FLASH FOR A LENGTH OF 3.81 [0.150] MIN FROM MATING END, 3.05 µm [0.000120] MIN TIN-LEAD FOR A LENGTH OF 3.68 [0.145] MIN FROM OPPOSITE END, BOTH OVER 1.27 µm [0.000050] MIN NICKEL.
- ⑦ 0.25 µm [0.000010] MIN GOLD FOR A LENGTH OF 3.81 [0.150] MIN FROM MATING END, 3.05 µm [0.000120] MIN TIN-LEAD FOR A LENGTH OF 3.68 [0.145] MIN FROM OPPOSITE END, BOTH OVER 1.27 µm [0.000050] MIN NICKEL.

OBSELETE	⑤	748953-3
SUPSD BY 748873-1	⑥	748953-2
	⑦	748953-1
	CONTACT FINISH	PART NO

DO NOT SCALE PRINT. UNLESS SPECIFIED DIMENSIONS IN mm [INCHES]	DR 10/09/89 S.WELDON	AMP INCORPORATED Harrisburg, Pa. 17105
TOLERANCES ON: 2 PLC DEC ± 0.13 [0.005] 3 PLC DEC ± - ANGLES ± 2°	CHK 1-3-90 R.STONE APPD 1-5-90 J.SWAIN	
MATERIAL HOUSING: ② CONTACTS: ③ SCREWLOCKS: ZINC	APPD 1-8-90 C.RHODE PRODUCT SPEC 108-1226	NAME PLUG ASSEMBLY, SIZE 3, 25 POSN, ALL PLASTIC, RIGHT ANGLE, .590 SERIES, AMPLIMITE® III
FINISH ④ CONTACTS: SEE TABLE SCREWLOCKS: CLEAR CHROMATE	APPLICATION SPEC 114-40027 WEIGHT -	SIZE D CAGE CODE 00779 DRAWING NO 748953 SCALE 4:1 SHEET 1 OF 1