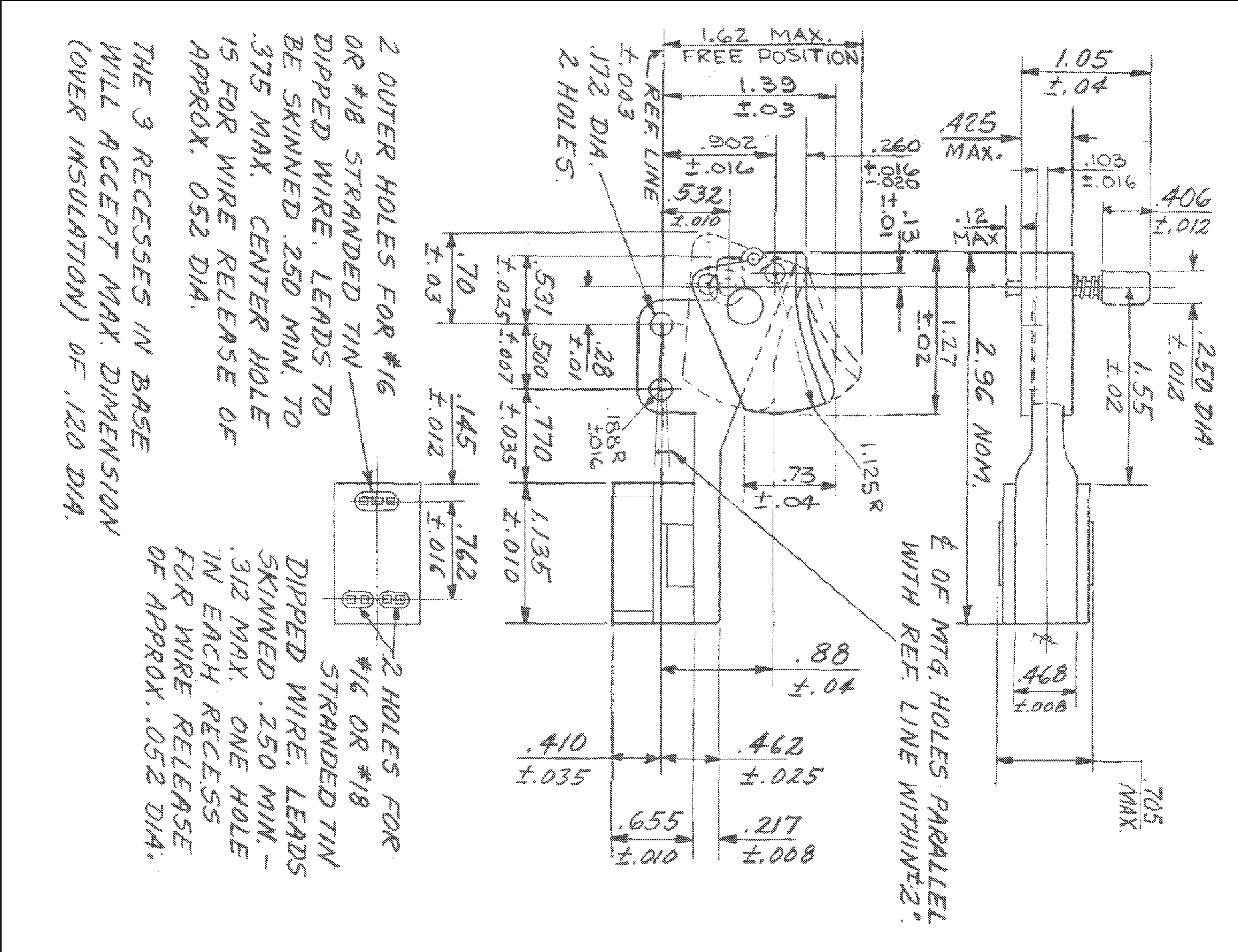


THIS DRAWING IS UNPUBLISHED. RELEASED FOR PUBLICATION  
 © COPYRIGHT BY TYCO ELECTRONICS CORPORATION. ALL RIGHTS RESERVED.

LOC	DIST	REVISIONS					
AD	00	P	LTR	DESCRIPTION	DATE	DWN	APVD
		A		EC0G3G-0167-01	12DEC01	WL	HM



2 OUTER HOLES FOR #16 OR #18 STRANDED TIN DIPPED WIRE. LEADS TO BE SKINNED .250 MIN. TO .375 MAX. CENTER HOLE IS FOR WIRE RELEASE OF APPROX. .052 DIA. THE 3 RECESSES IN BASE WILL ACCEPT MAX. DIMENSION (OVER INSULATION) OF .120 DIA.

2 HOLES FOR #16 OR #18 STRANDED TIN DIPPED WIRE. LEADS TO BE SKINNED .250 MIN. TO .312 MAX. ONE HOLE IN EACH RECESS FOR WIRE RELEASE OF APPROX. .052 DIA.

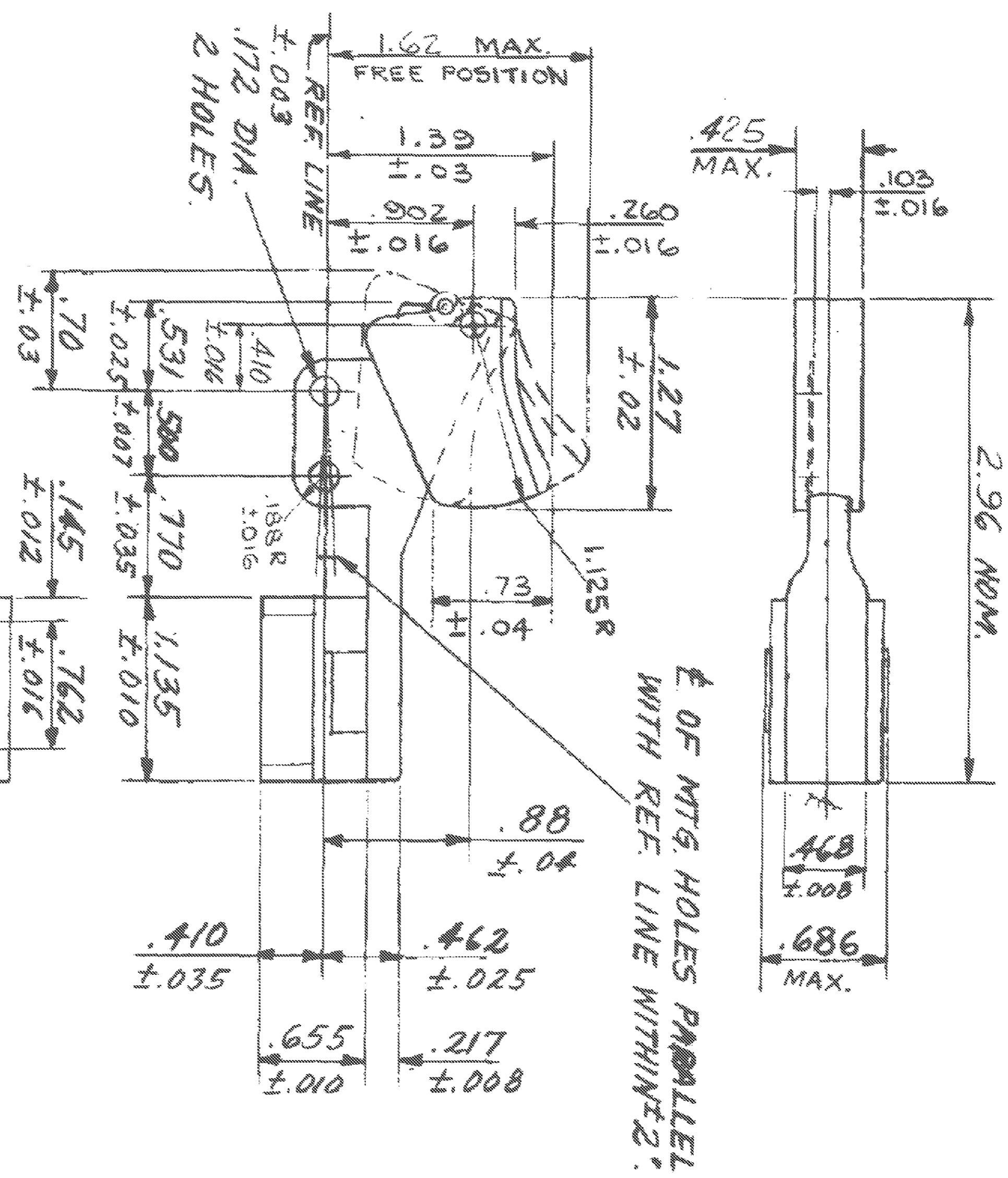
THIS DRAWING IS A CONTROLLED DOCUMENT.		DWR R. RUETER 24SEP82	Tyco Electronics Corporation Arab, AL 35016	
DIMENSIONS: INCHES		CHK H. KRUEGER 12OCT82	NAME R.E. LARKIN 03NOV82	
TOLERANCES UNLESS OTHERWISE SPECIFIED:		APVD R.E. LARKIN 03NOV82	PRODUCT SPEC	
0 PLC	± -	APPLICATION SPEC		
1 PLC	± -	WEIGHT		
2 PLC	± -	CUSTOMER DRAWING		
3 PLC	± -	SCALE 1:1 SHEET 1 OF 2 REV A		
4 PLC	± -	RESTRICTED TO		
ANGLES	± -	SIZE CAGE CODE DRAWING NO		
FINISH	-	A2 00779 1520224		

THIS DRAWING IS UNPUBLISHED. RELEASED FOR PUBLICATION  
 © COPYRIGHT BY TYCO ELECTRONICS CORPORATION. ALL RIGHTS RESERVED.

LOC		DIST		REVISIONS			
AD	00	P	LTR	DESCRIPTION	DATE	DWN	APVD
		A		EC0G3G-0167-01	12DEC01	WL	HM

2 OUTER HOLES FOR #16 OR #18 STRANDED TIN DIPPED WIRE. LEADS TO BE SKINNED .250 MIN. TO .375 MAX. CENTER HOLE IS FOR WIRE RELEASE OF APPROX. .052 DIA. THE 3 RECESSES IN BASE WILL ACCEPT MAX. DIMENSION (OVER INSULATION) OF .120 DIA.

2 HOLES FOR #16 OR #18 STRANDED TIN DIPPED WIRE. LEADS SKINNED .250 MIN. - .312 MAX. ONE HOLE IN EACH RECESS FOR WIRE RELEASE OF APPROX. .052 DIA.



± OF MTG. HOLES PARALLEL WITH REF. LINE WITHIN ±2°

THIS DRAWING IS A CONTROLLED DOCUMENT.		DWR R. RUETER 24SEP82	Tyco Electronics Corporation Arab, AL 35016	
DIMENSIONS: INCHES		CHK H. KRUEGER 12OCT82	NAME R.E. LARKIN 03NOV82	
TOLERANCES UNLESS OTHERWISE SPECIFIED:		APVD R.E. LARKIN 03NOV82	PRODUCT SPEC TOOL HANDLE SWITCH W/ INSULATED TRIGGER LEVER, WITHOUT LEVER LOCK 5A 250 VAC / 10A 125 VAC	
0 PLC	± -	APPLICATION SPEC	SIZE A2	CAGE CODE 00779
1 PLC	± -	WEIGHT	DRAWING NO 1520224	RESTRICTED TO
2 PLC	± -	MATERIAL	SCALE 1:1	SHEET 2 OF 2
3 PLC	± -	FINISH	REV A	
4 PLC	± -			
ANGLES	± -			
CUSTOMER DRAWING				