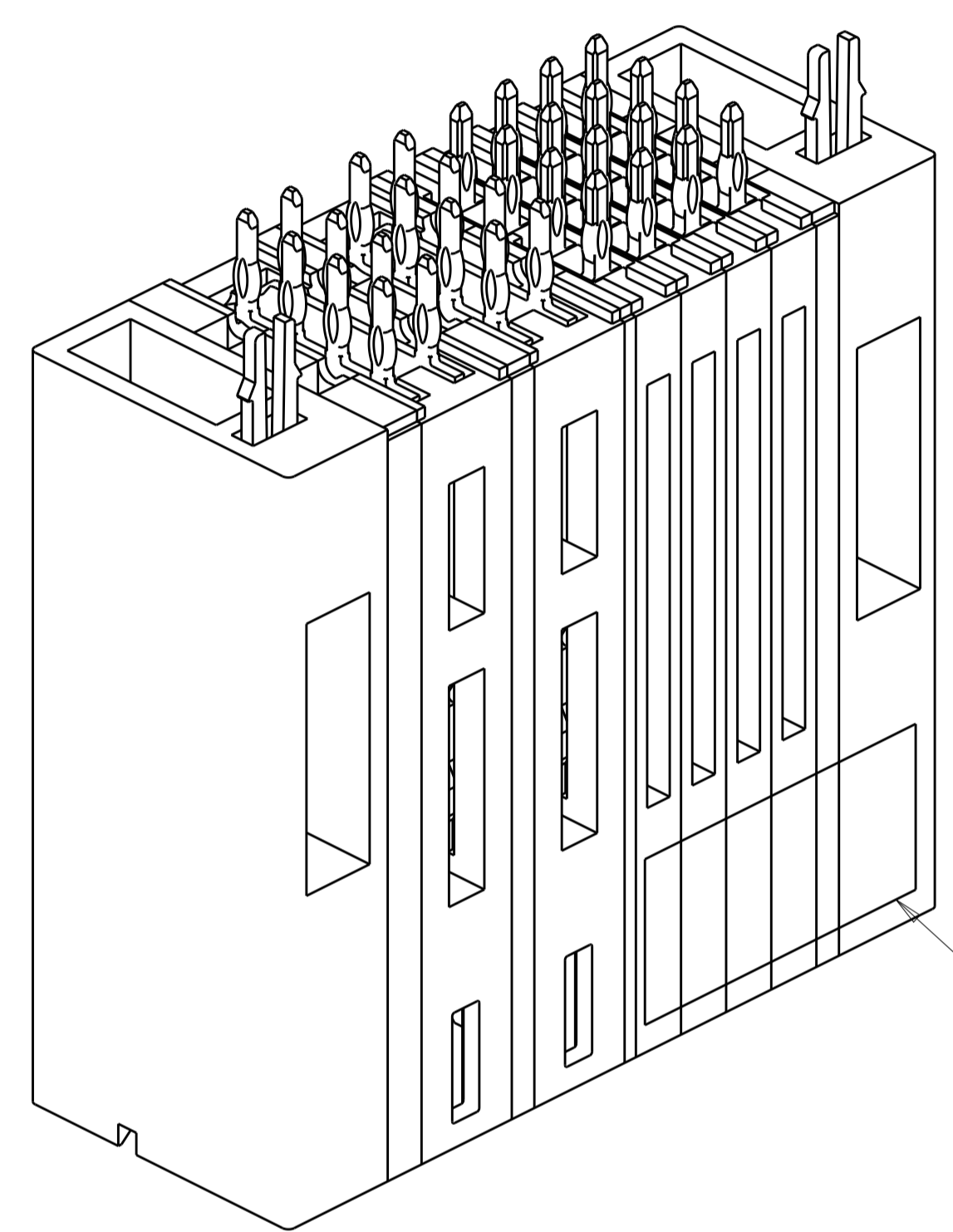
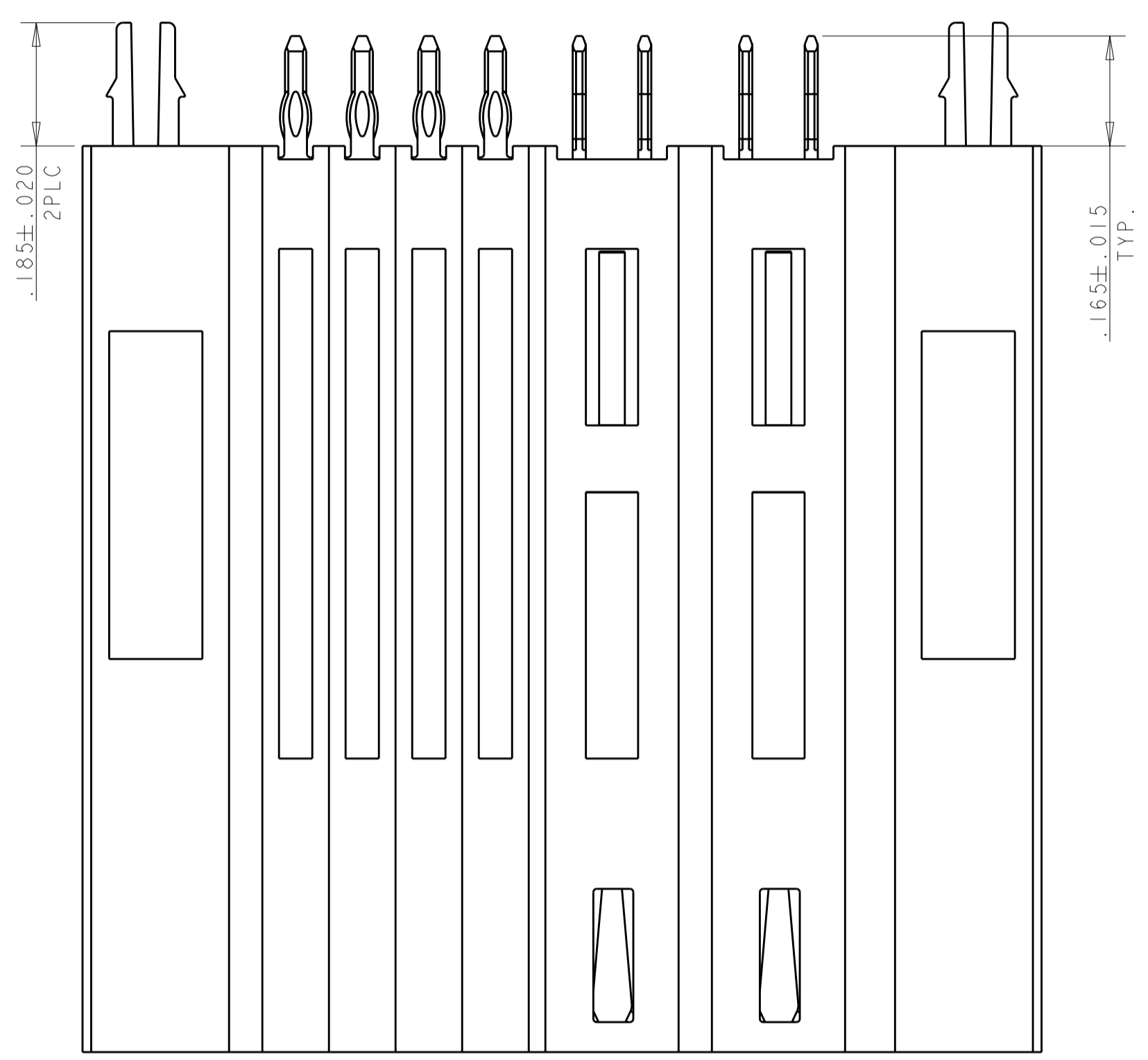
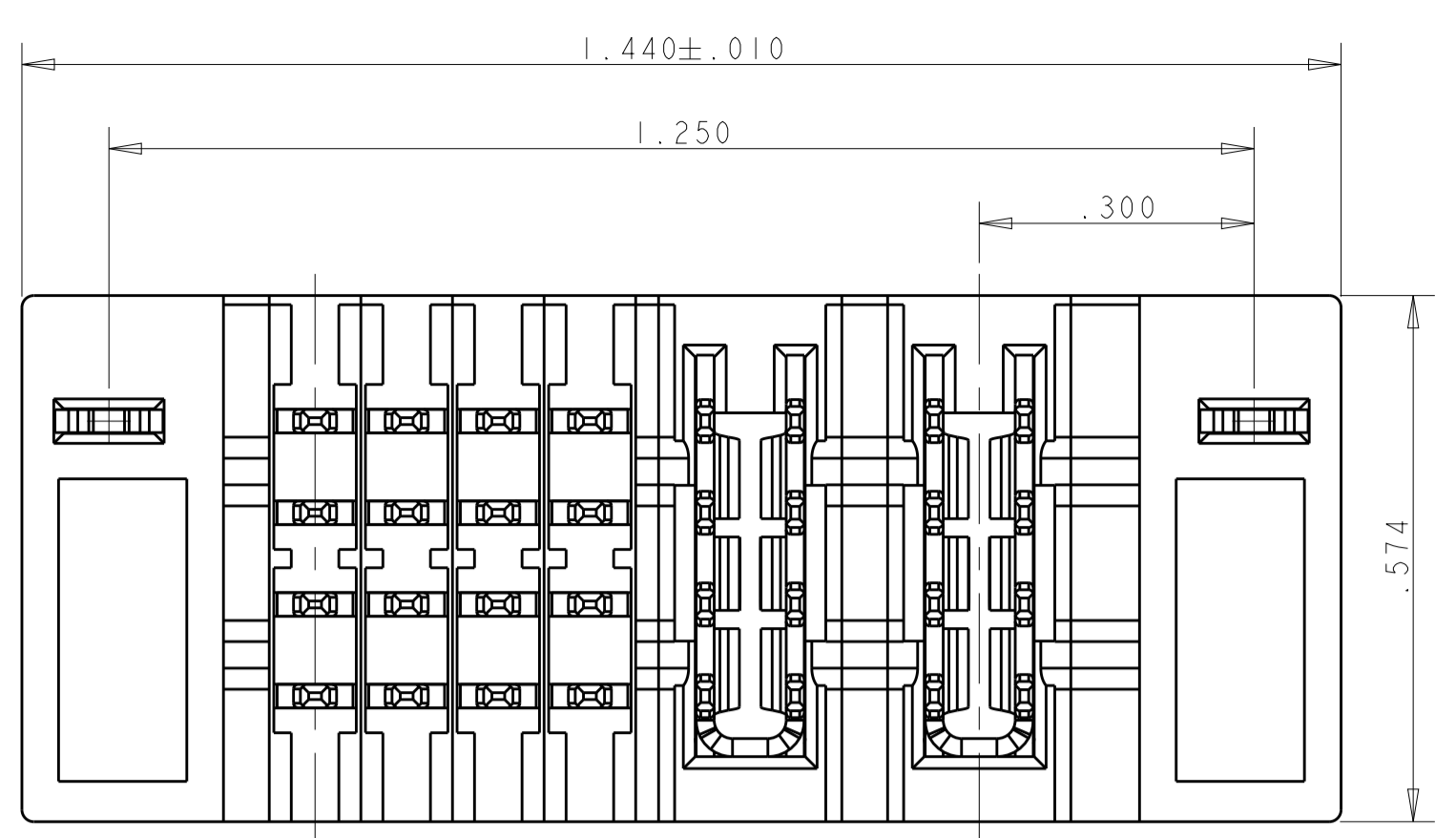
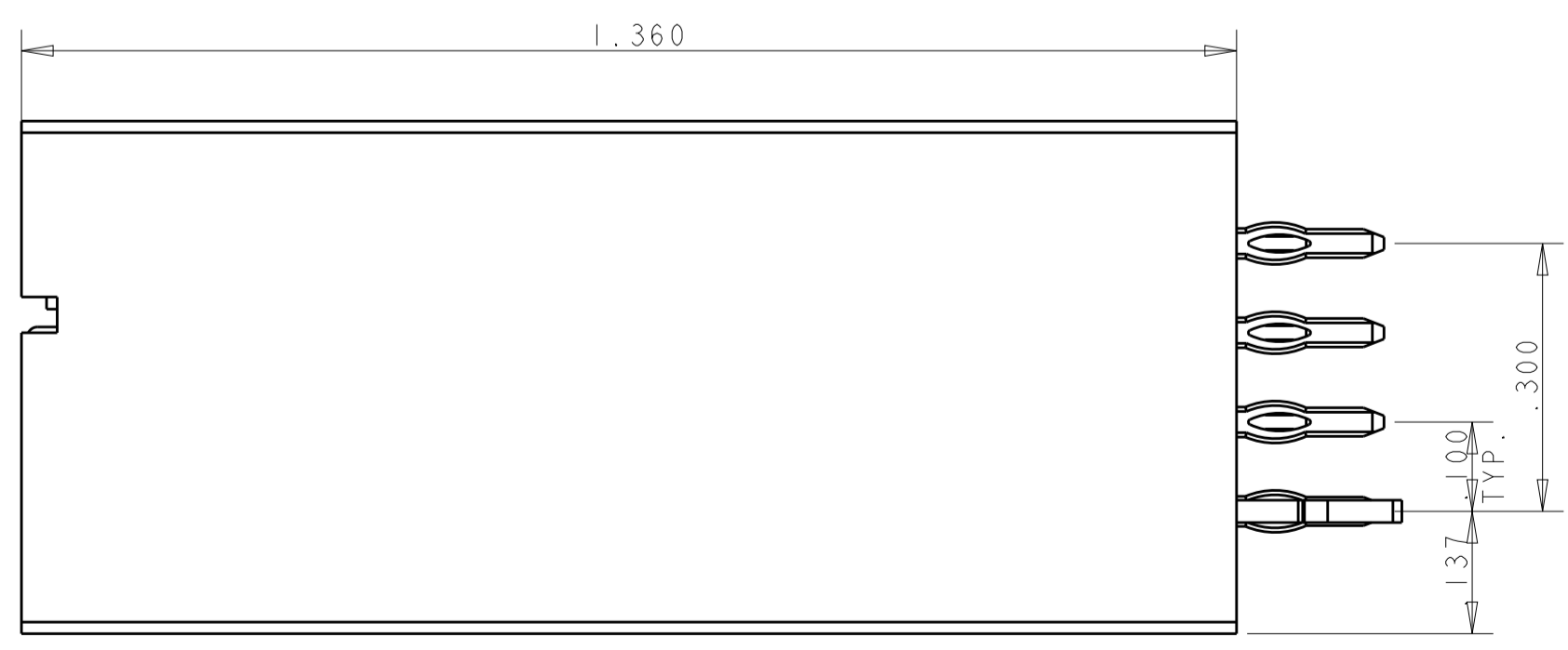
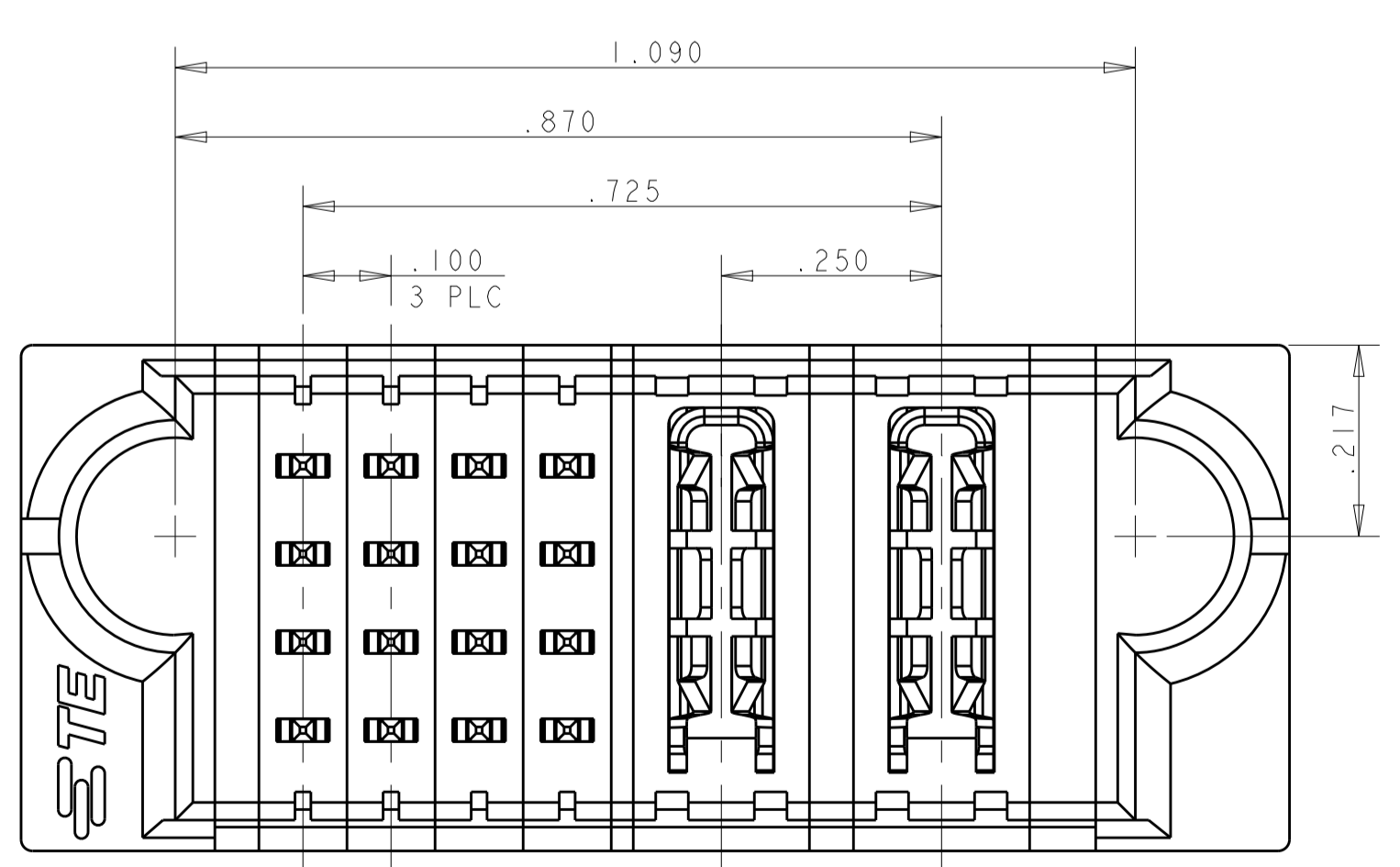


LOC	DIST	REVISIONS					
		P	LTN	DESCRIPTION	DATE	DWN	APVD
ES	00	A		INITIAL RELEASED	28FEB2012	TZ	SZ
		A1		ADD NEW PART NUMBER 1892801-4	16MAR2012	TZ	SZ
		B		ECO-13-014610	16SEP2013	TZ	SZ



- 1. HEADER HOUSING: THERMO PLASTIC, BLACK, UL94 V-0; CONTACTS AND RETENTION CLIPS: COPPER ALLOY.
- 2. PIN CONTACTS: .000030 MIN GOLD IN MATING AREA, .000100 MIN TIN ON POST AREAS, BOTH OVER .000050 MIN NICKEL.
- 3. PART NUMBER AND DATE CODE MARKED IN THIS AREA. PARTS
- 4. DATUM AND BASIC DIMENSIONS ESTABLISHED BY CUSTOMER.
- 5. PCB - ALL HOLE DIAMETERS ARE FINISHED HOLE SIZES.
- 6. A SEATING TOOL IS REQUIRED TO SEAT THE HEADER ON THE P.C. BOARD. PLEASE REFER TO THE 114-13251 APPLICATION SPEC. THE SEATING TOOL PART NUMBER: 1901221-4.
- 7. MECHANICAL CONNECTOR KEEP OUT ZONE.
- 8. ADD ZONYL PFPE LUBRICANT APPLIED TO THE POWER CONTACT.

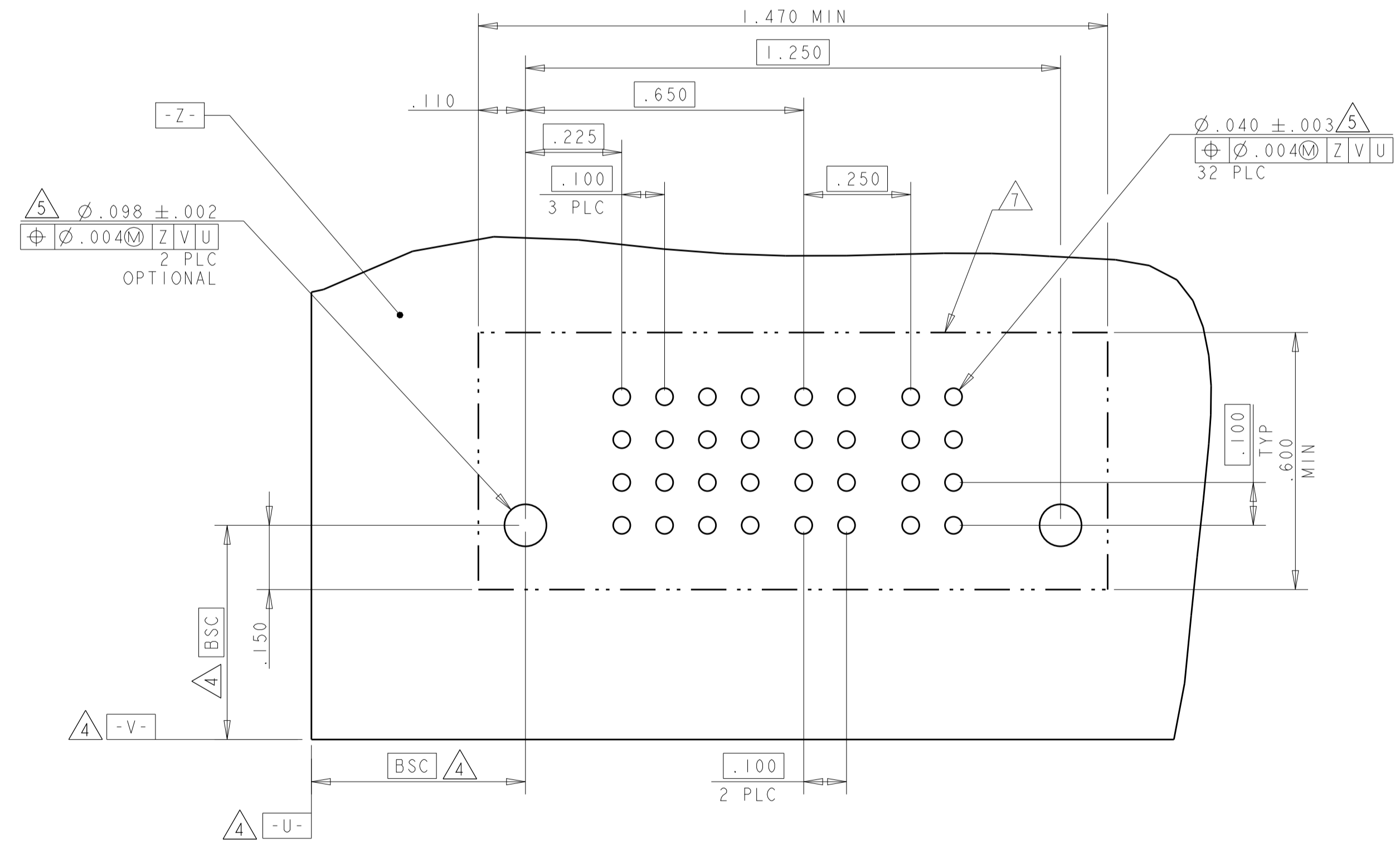
3. PART NUMBER DATA CODE



A1	16S + 2P	1892801-4	8
	16S + 2P	1892801-1	
	DESCRIPTION	PART NUMBER	

THIS DRAWING IS A CONTROLLED DOCUMENT.		DWN: C. ZHOU 15SEP2010	TE Connectivity VERTICAL PLUG ASSEMBLY 1.535 INCH STACK HEIGHT MULTI-BEAM XLE
DIMENSIONS: INCHES		CHK: S. ZHAO 15SEP2010	
TOLERANCES UNLESS OTHERWISE SPECIFIED:		APVD: S. ZHAO 15SEP2010	
0 PLC ± 1 PLC ± 2 PLC ± 3 PLC ±0.005 4 PLC ±0.0020 ANGLES ±7°		PRODUCT SPEC: 108-2292 APPLICATION SPEC: 114-13251 WEIGHT: -	
MATERIAL: 1	FINISH: 2	RESTRICTED TO: -	SIZE: A1 CAGE CODE: 100779 DRAWING NO: C=1892801 CUSTOMER DRAWING
		SCALE: 1:1	SHEET 1 OF 3 REV B

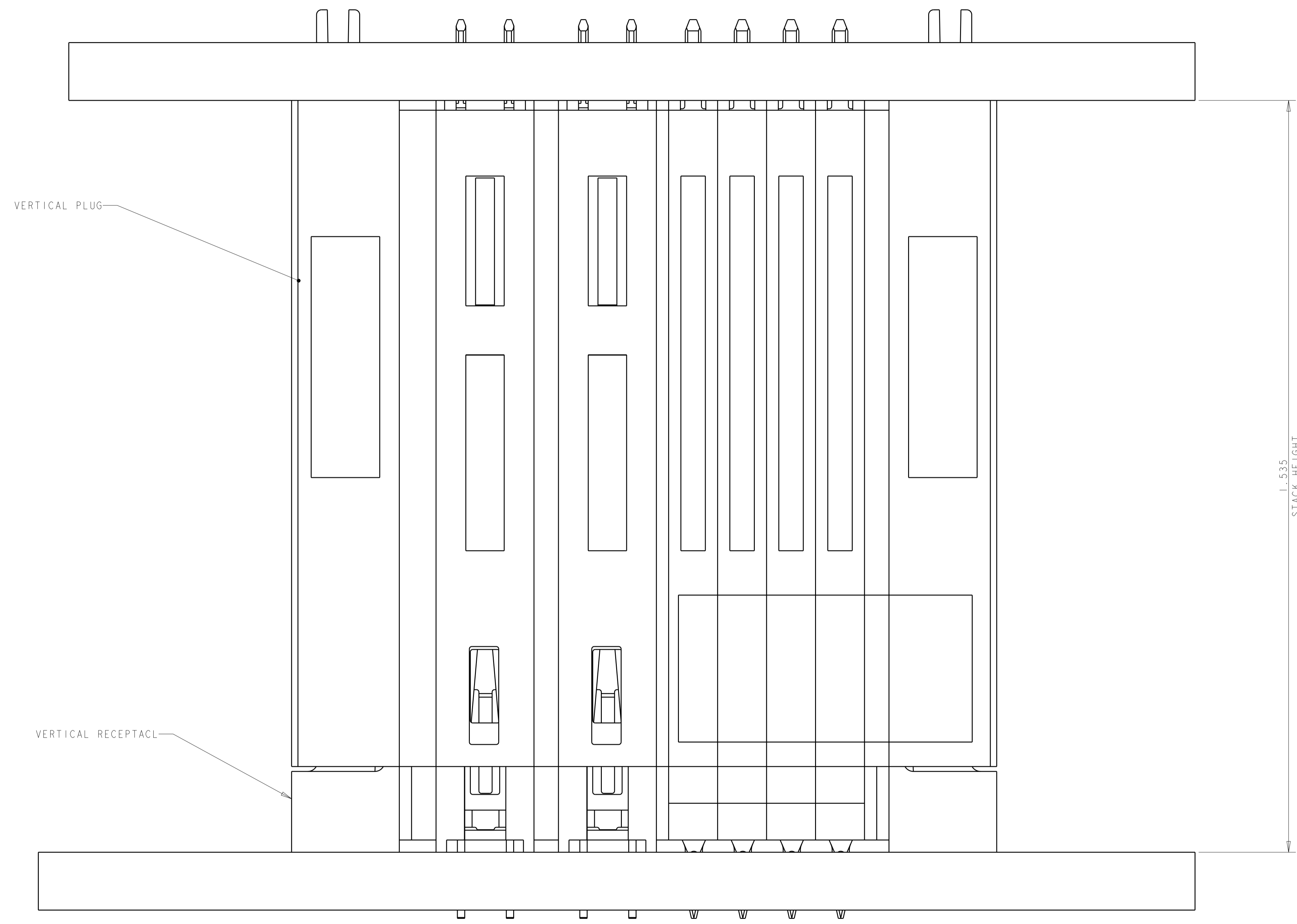
PART NUMBER	ROWS	SIGNAL				POWER	
		1	2	3	4	P1	P2
1892801-1	D	E	V	E	V	VM	VM
	C	E	V	E	V		
	B	E	V	E	V		
	A	E	V	E	V		
16S + 2P		HD					HD




PCB LAYOUT OF 1892801-4 SHARE WITH 1892801-1

RETENTION CLIP	HD
STD SIGNAL CONTACT	EV
POWER CONTACT	VM
DESCRIPTION	CODE

THIS DRAWING IS A CONTROLLED DOCUMENT.		DWN	C. ZHOU	15SEP2010	 TE Connectivity
DIMENSIONS: INCHES		CHK	S. ZHAO	15SEP2010	
TOLERANCES UNLESS OTHERWISE SPECIFIED:		APVD	S. ZHAO	15SEP2010	
0 PLC ± 1 PLC ± 2 PLC ±0.02 3 PLC ±0.02 4 PLC ± ANGLES ±2°		NAME	VERTICAL PLUG ASSEMBLY 1.535 INCH STACK HEIGHT MULTI-BEAM XLE		
MATERIAL	FINISH	PRODUCT SPEC	108-2292		RESTRICTED TO
		APPLICATION SPEC	114-13251		SIZE
		WEIGHT	-		CAGE CODE
		CUSTOMER DRAWING	A100779C=1892801		DRAWING NO
		SCALE	1:1		SHEET
			2		OF
			3		REV
			B		



MATING WITH VERTICAL RECEPTACLE
REFERENCE

THIS DRAWING IS A CONTROLLED DOCUMENT.		DMN C. ZHOU 15SEP2010	 TE Connectivity
DIMENSIONS: INCHES		CHK S. ZHAO 15SEP2010	
TOLERANCES UNLESS OTHERWISE SPECIFIED:		APVD S. ZHAO 15SEP2010	NAME VERTICAL PLUG ASSEMBLY 1.535 INCH STACK HEIGHT MULTI-BEAM XLE
0 PLC ±	1 PLC ±	PRODUCT SPEC 108-2292	SIZE A100779
2 PLC ±0.02	3 PLC ±0.02	APPLICATION SPEC 114-13251	CAGE CODE C=1892801
4 PLC ±	ANGLES ±7°	WEIGHT	RESTRICTED TO
MATERIAL	FINISH	CUSTOMER DRAWING	SCALE 2:1 SHEET 3 OF 3 REV B