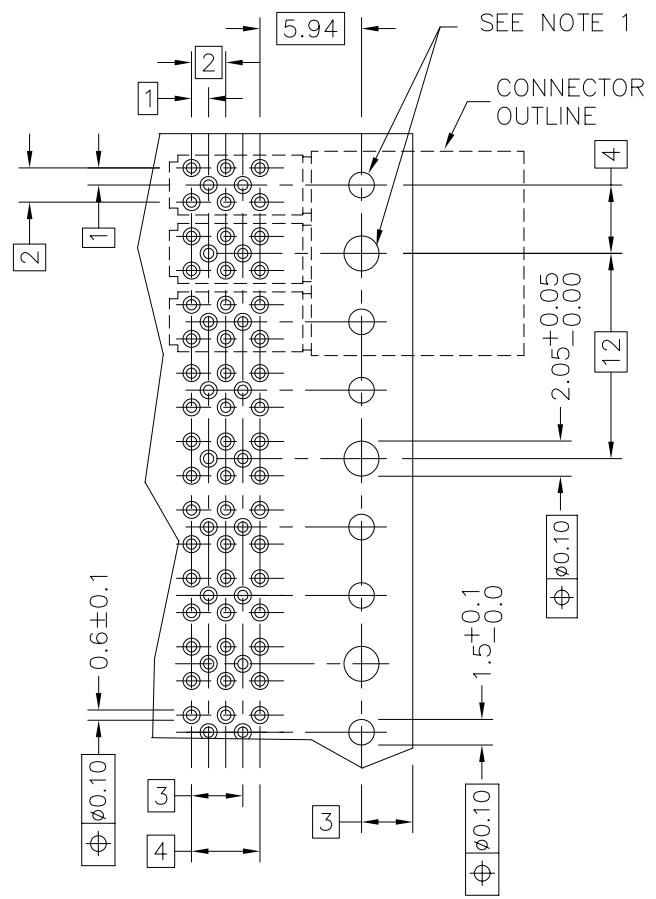
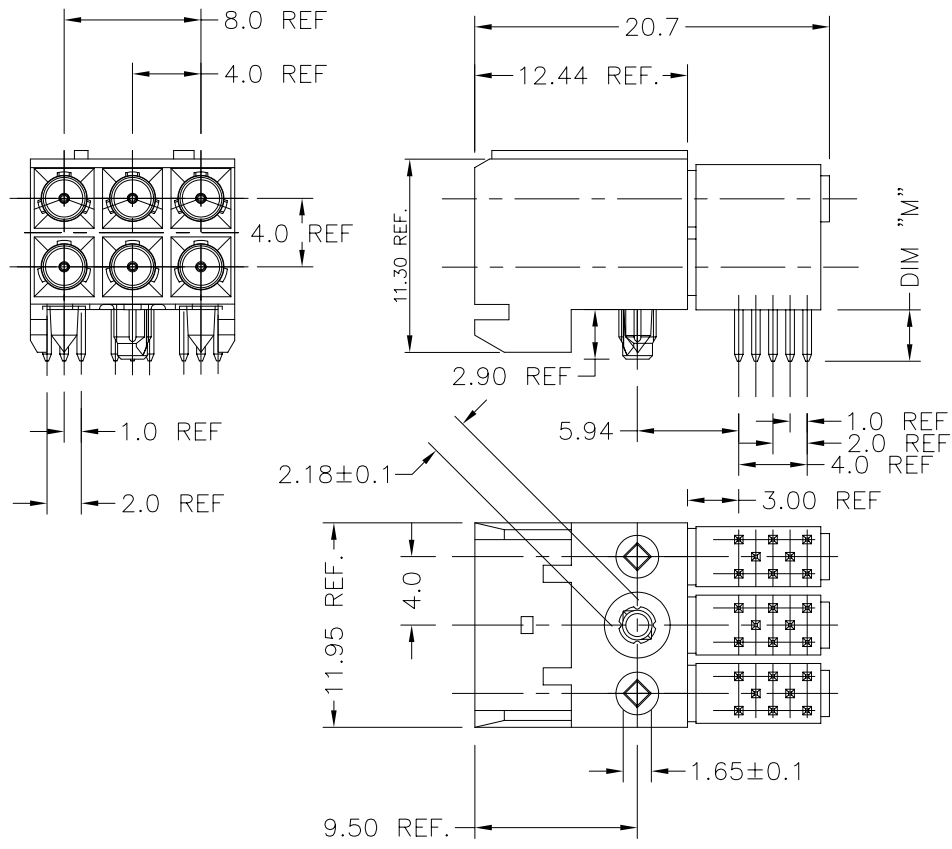


PRODUCT NO
63783-XXX



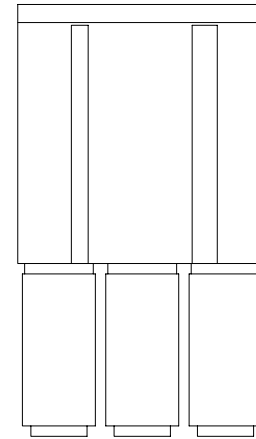
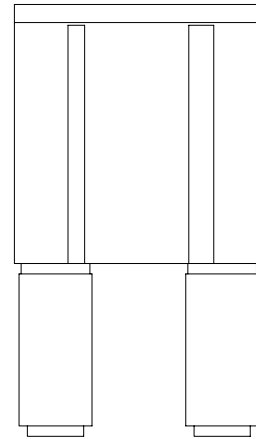
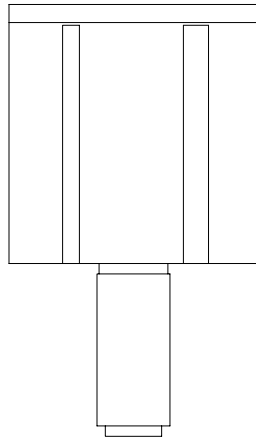
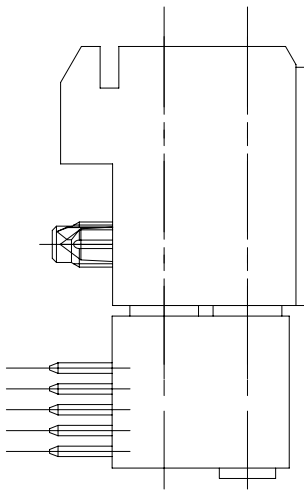
RECOMMENDED HOLE PATTERN,
COMPONENT SIDE.

NOTES

- ①. INDICATED HOLES ARE UNPLATED.

mat'l. code ----				surface ISO 1302 ✓		tolerance ISO 406 ISO 1101		projection 		product family METRAL (tm)	
tolerances unless otherwise specified				angles		linear		mm		title	
ltr	ecn no	dr	date							R/A MINI COAX RECEPT. CONN. ASSEMBLY - 12mm	
A	v91486	MDF	7/22/99							dwg no 63783	
B	M06-0286	MNR	7/27/06							sheet 1 of 2 size A3	
				dr		M. FETROW		7/22/99		type Product Customer Drawing	
				enr		LARRY OH		7/22/99			
				chr		LARRY OH		7/22/99			
				appd		LARRY OH		7/22/99			
sheet index	revision sheet	B	B								
		1	2								

PRODUCT NO	HOUSING P/N	COAX P/N	DIM "M"	PCB THICKNESS	CONTACTS INSTALLED
63783-101	70244-102	70239-001	2.80	1.6mm	1
63783-102	70244-102	70239-001	2.80	1.6mm	2
63783-103	70244-102	70239-001	2.80	1.6mm	3
63783-201	70244-102	70239-002	3.80	2.4mm	1
63783-202	70244-102	70239-002	3.80	2.4mm	2
63783-203	70244-102	70239-002	3.80	2.4mm	3



P/N 63783-101 / -201

P/N 63783-102 / -202

P/N 63783-103 / -203

mat'l. code		surface		tolerance		projection		product family	
-----		ISO 1302 ✓		ISO 406				METRAL (tm)	
ltr		ecn no		date		tolerances unless otherwise specified		title	
B						angles linear xx ±.01/3 xxx ±.005/.13 σ±2' xxx ±.0020/.050		R/A MINI COAX RECEPT. CONN. ASSEMBLY - 12mm	
						scale 3:1		sheet 2 of 2 size A3	
		dr		M. FETROW		7/22/99			
		enr		LARRY OH		7/22/99		type Product Customer Drawing	
		chr		LARRY OH		7/22/99			
		appd		LARRY OH		7/22/99			
sheet index		revision sheet							