

F

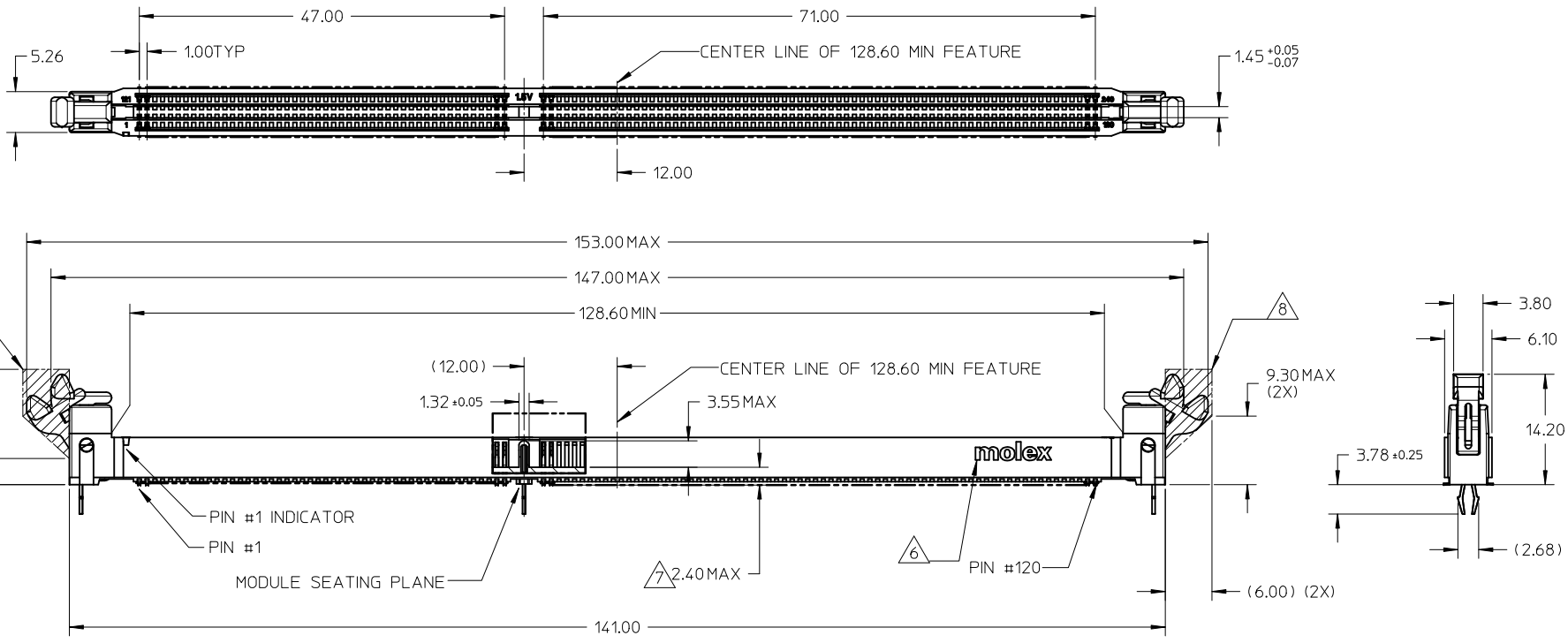
E

D

C

B

A



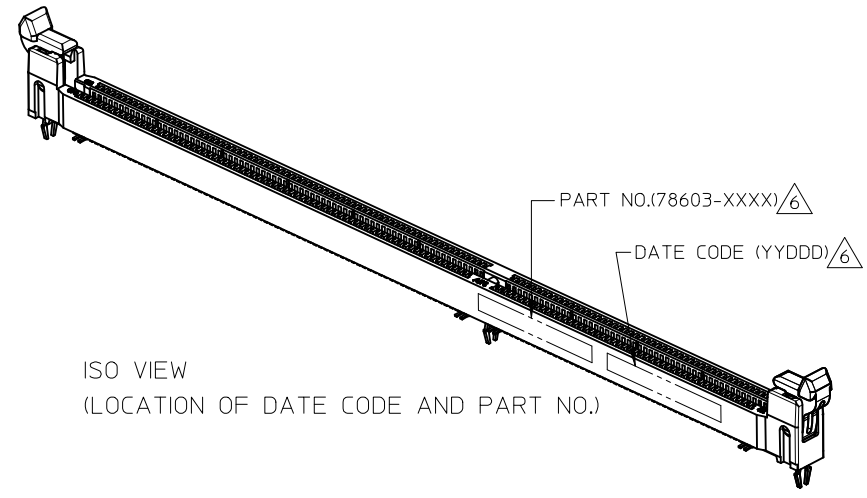
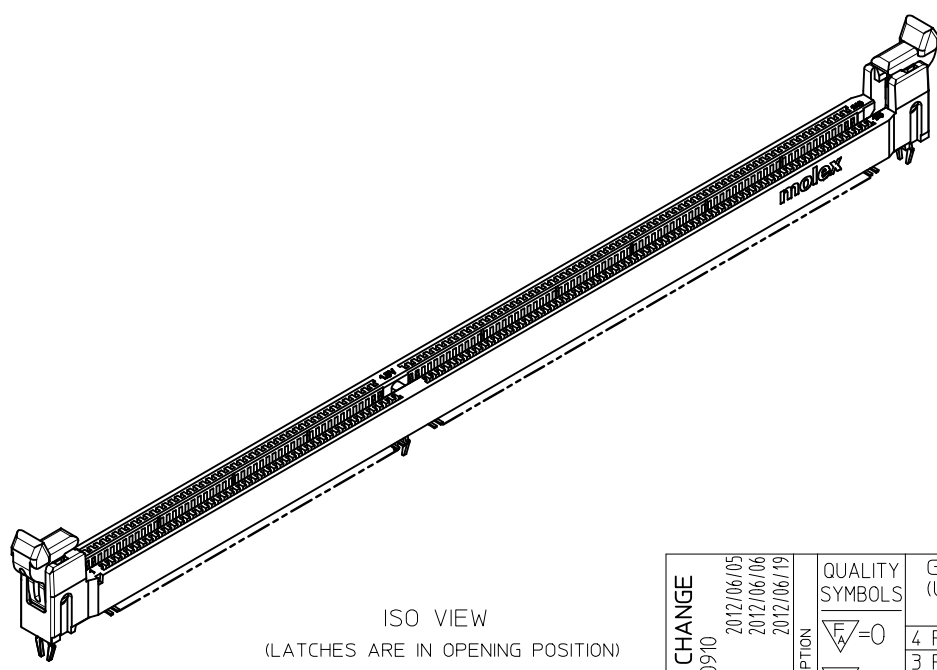
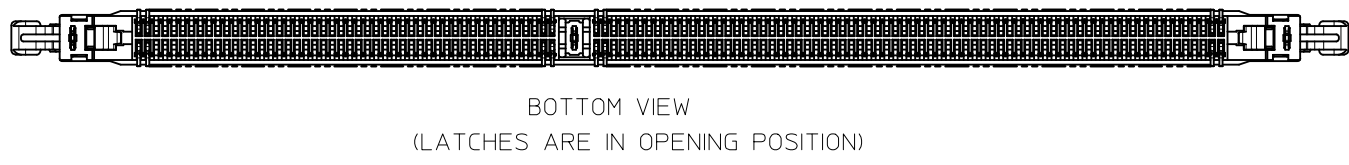
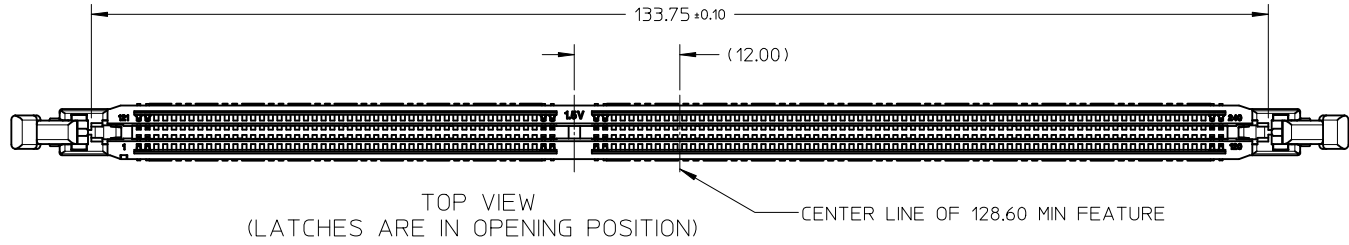
NOTES:

1. MATERIAL : HOUSING - LCP, GLASS FILLED, UL 94V-0
COLOUR : BLACK.
LATCH - NYLON, GLASS FILLED, UL 94V-0
COLOUR : SEE TABLE ON SHEET 5.
TERMINAL : COPPER ALLOY.
 2. FINISHES - SEE TABLE ON SHEET 5.
 3. PRODUCT SPECIFICATION : PS-78603-001.
 4. PACKAGING SPECIFICATION: PRODUCT SHALL BE PACKED IN TRAY
 5. CARD SLOT ACCEPTS 1.27±0.10MM MODULE THICKNESS (MEASURED FROM P.C. PADS).
- 6 MOLEX LOGO, DATE & PART NO. INDICATED ON HOUSING.
7 MODULE SEATING PLANE FROM TOP OF PCB.
8 KEEP OUT ZONE RESERVED FOR LATCH.
9 KEEP OUT AREA IS THE AREA WHERE THE CONNECTOR (INCLUDED LATCHES IN OPENING POSITION) IS MOUNTED ON THE PCB.

THIS DESIGN IS BASED ON DESIGN OBJECTIVES AND IS STRICTLY TENTATIVE. IT MAY CHANGE BASED ON RESULTS OF ADDITIONAL DESIGN REVIEWS AND VERIFICATIONS.

FORK LOCK CHANGE EC NO: S2012-0910 DRWIN: JAKEEWEW 2012/06/05 CHYKD: CGTAN 2012/06/06 APPR: SHLENI 2012/06/19	REV 4	DESCRIPTION QUALITY SYMBOLS $\nabla F = 0$ $\nabla F = 0$ $\nabla F = 0$	GENERAL TOLERANCES (UNLESS SPECIFIED)		DIMENSION STYLE	SCALE	DESIGN UNITS	THIRD ANGLE PROJECTION
					MM ONLY	NTS	METRIC	
					DRAWN BY	DATE	TITLE	
					CCTEH	2010/03/30	1MM PITCH DDR3 VLP LSP 240CKTS SMT LOWLLCR	
		4 PLACES ± --- ± --- 3 PLACES ± --- ± --- 2 PLACES ± 0.20 ± --- 1 PLACE ± --- ± --- 0 PLACE ± ±		CHECKED BY	DATE			
		ANGULAR ± 3 ° DRAFT WHERE APPLICABLE MUST REMAIN WITHIN DIMENSIONS		CGTAN	2010/09/08			
				APPROVED BY	DATE			
				SHLENI	2010/09/08			
				MATERIAL NO.	DOCUMENT NO.			
				SEE TABLE	SD-78603-001		SHEET NO. 1 OF 6	
				SIZE	THIS DRAWING CONTAINS INFORMATION THAT IS PROPRIETARY TO MOLEX INCORPORATED AND SHOULD NOT BE USED WITHOUT WRITTEN PERMISSION			
				A3				

10 9 8 7 6 5 4 3 2 1



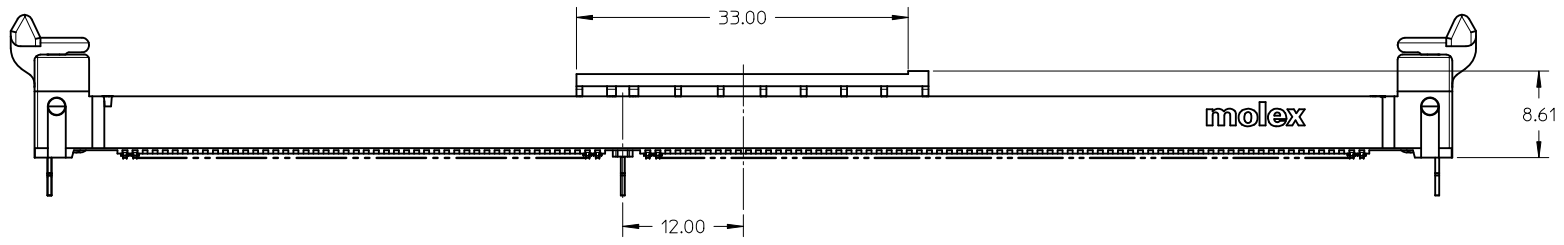
ISO VIEW
(LATCHES ARE IN OPENING POSITION)

FORK LOCK CHANGE EC NO: S2012-0910 DRWN: JAKEEWEW 2012/06/05 CHYKD: CGTAN 2012/06/06 APPR: SHLENI 2012/06/19 REV 4	QUALITY SYMBOLS $\nabla_F = 0$ $\nabla_E = 0$ $\nabla_P = 0$	GENERAL TOLERANCES (UNLESS SPECIFIED)		DIMENSION STYLE MM ONLY	SCALE NTS	DESIGN UNITS METRIC	THIRD ANGLE PROJECTION	
			mm	INCH	DRAWN BY CCTEH	DATE 2010/03/30	TITLE 1MM PITCH DDR3 VLP LSP 240CKTS SMT LOWLLCR	SHEET NO. 2 OF 6
		4 PLACES ± --- ± --- 3 PLACES ± --- ± --- 2 PLACES ± 0.20 ± --- 1 PLACE ± --- ± --- 0 PLACE ± ±	ANGULAR ± 3 °		CHECKED BY CGTAN	DATE 2010/09/08		
		DRAFT WHERE APPLICABLE MUST REMAIN WITHIN DIMENSIONS		SEE TABLE		APPROVED BY SHLENI	DATE 2010/09/08	DOCUMENT NO. SD-78603-001

9 8 7 6 5 4 3 2 1

10 9 8 7 6 5 4 3 2 1

PICK AND PLACE CAP VERSION

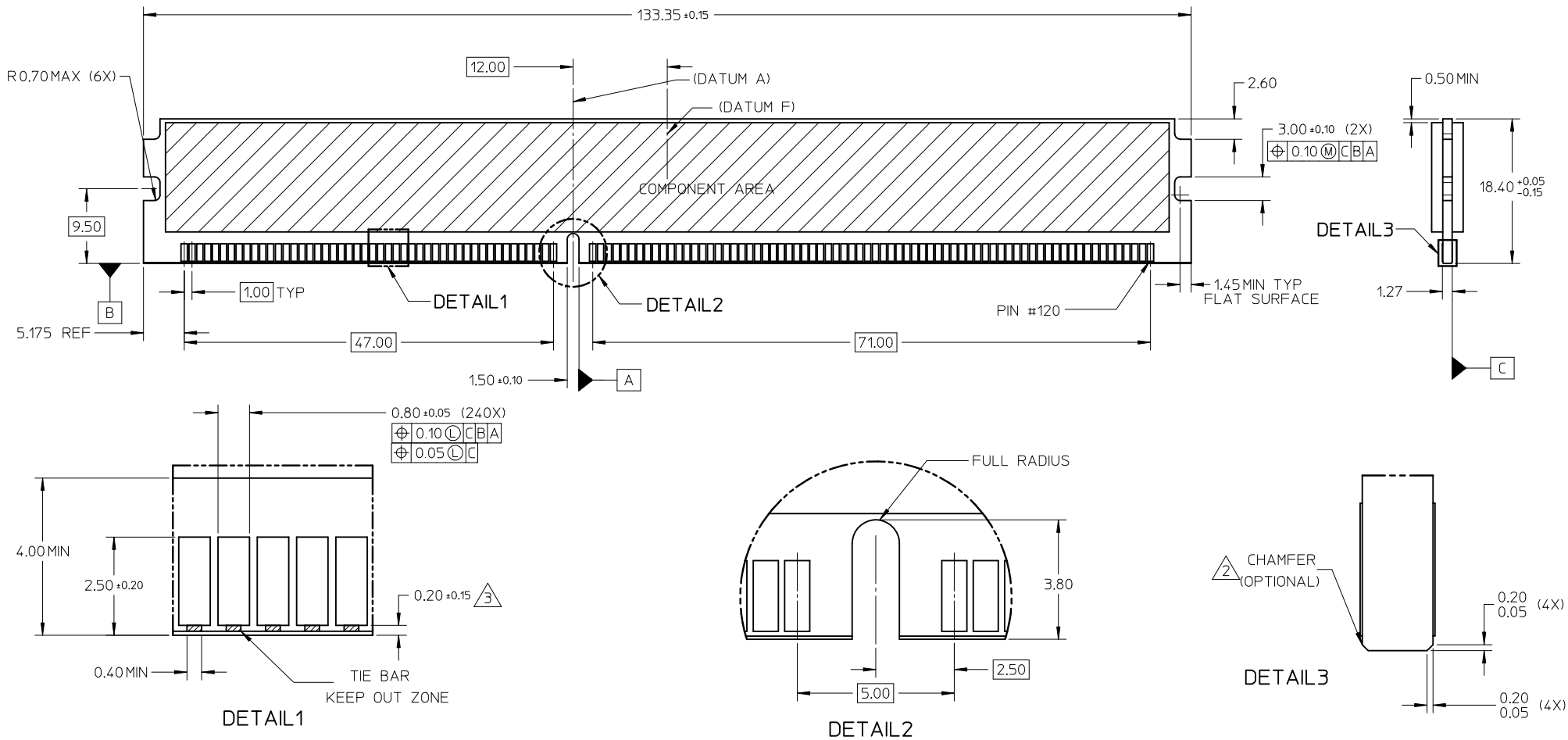


FORK LOCK CHANGE EC NO: S2012-0910 DRWN: JAKEEWEW 2012/06/05 CH'KD: CGTAN 2012/06/06 APPR: SHLENI 2012/06/19	REV	DESCRIPTION	QUALITY SYMBOLS	GENERAL TOLERANCES (UNLESS SPECIFIED)		DIMENSION STYLE MM ONLY		SCALE NTS	DESIGN UNITS METRIC	THIRD ANGLE PROJECTION																																	
	4		$\nabla_{\text{A}}=0$ $\nabla_{\text{B}}=0$ $\nabla_{\text{C}}=0$	<table border="1"> <thead> <tr> <th></th> <th>mm</th> <th>INCH</th> </tr> </thead> <tbody> <tr> <td>4 PLACES</td> <td>± ---</td> <td>± ---</td> </tr> <tr> <td>3 PLACES</td> <td>± ---</td> <td>± ---</td> </tr> <tr> <td>2 PLACES</td> <td>± 0.20</td> <td>± ---</td> </tr> <tr> <td>1 PLACE</td> <td>± ---</td> <td>± ---</td> </tr> <tr> <td>0 PLACE</td> <td>±</td> <td>±</td> </tr> </tbody> </table>		mm	INCH	4 PLACES	± ---	± ---	3 PLACES	± ---	± ---	2 PLACES	± 0.20	± ---	1 PLACE	± ---	± ---	0 PLACE	±	±	<table border="1"> <thead> <tr> <th>DRAWN BY</th> <th>DATE</th> <th>TITLE</th> </tr> </thead> <tbody> <tr> <td>CCTEH</td> <td>2010/03/30</td> <td rowspan="2">1MM PITCH DDR3 VLP LSP 240CKTS SMT LOWLLCR</td> </tr> <tr> <td>CHEKED BY</td> <td>DATE</td> </tr> <tr> <td>CGTAN</td> <td>2010/09/08</td> <td></td> </tr> <tr> <td>APPROVED BY</td> <td>DATE</td> <td></td> </tr> <tr> <td>SHLENI</td> <td>2010/09/08</td> <td></td> </tr> </tbody> </table>	DRAWN BY	DATE	TITLE	CCTEH	2010/03/30	1MM PITCH DDR3 VLP LSP 240CKTS SMT LOWLLCR	CHEKED BY	DATE	CGTAN	2010/09/08		APPROVED BY	DATE		SHLENI	2010/09/08		SEE TABLE	DOCUMENT NO. SD-78603-001	SHEET NO. 3 OF 6
		mm	INCH																																								
	4 PLACES	± ---	± ---																																								
3 PLACES	± ---	± ---																																									
2 PLACES	± 0.20	± ---																																									
1 PLACE	± ---	± ---																																									
0 PLACE	±	±																																									
DRAWN BY	DATE	TITLE																																									
CCTEH	2010/03/30	1MM PITCH DDR3 VLP LSP 240CKTS SMT LOWLLCR																																									
CHEKED BY	DATE																																										
CGTAN	2010/09/08																																										
APPROVED BY	DATE																																										
SHLENI	2010/09/08																																										
				ANGULAR ± 3 ° DRAFT WHERE APPLICABLE MUST REMAIN WITHIN DIMENSIONS	THIS DRAWING CONTAINS INFORMATION THAT IS PROPRIETARY TO MOLEX INCORPORATED AND SHOULD NOT BE USED WITHOUT WRITTEN PERMISSION																																						

9 8 7 6 5 4 3 2 1

10 9 8 7 6 5 4 3 2 1

009MODULE CARD
 DDR3 DUAL INLINE MEMORY MODULE FAMILY 1.00 CONTACT CENTERS
 (JEDEC MO-269, ISSUE A, 12/05)

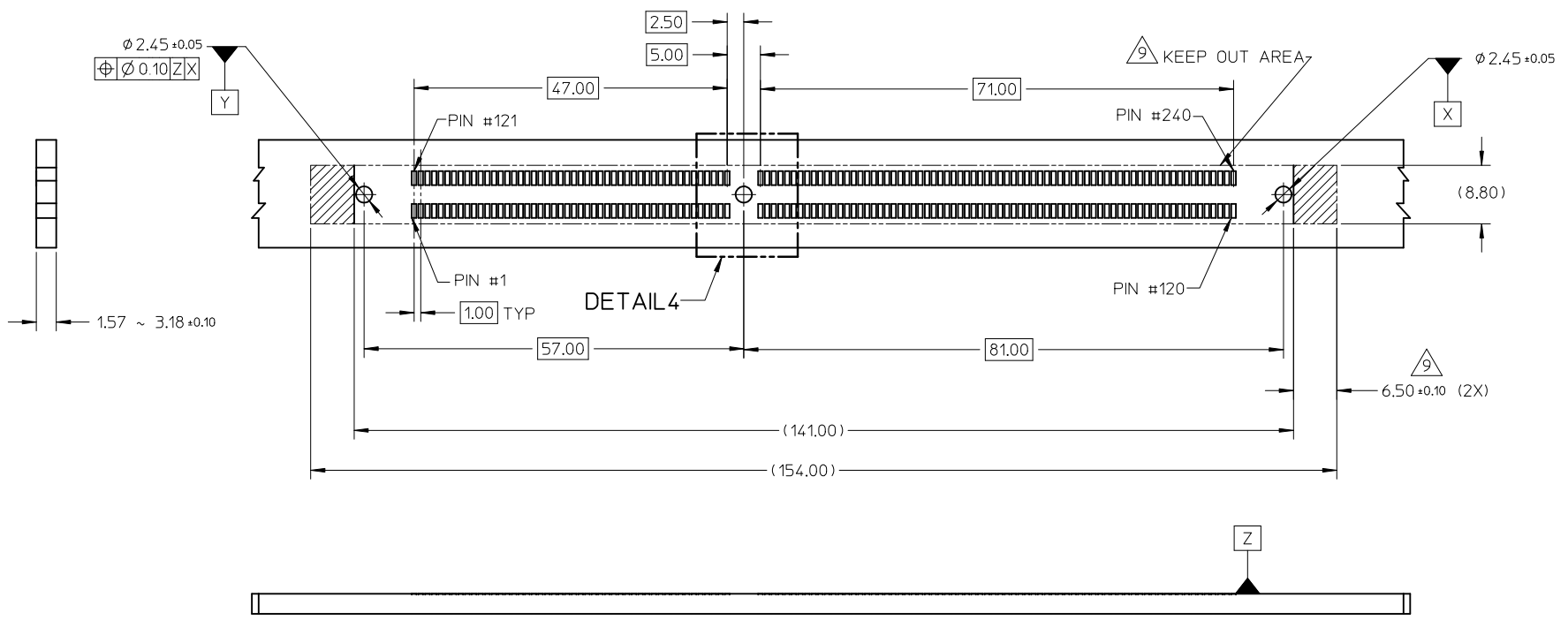


- NOTES:
- RECOMMENDED PLATING FOR CONTACT PADS:
 PREFERRED: 0.76 MICROMETERS GOLD PLATING MIN OVER 2.00 MICROMETERS NICKEL
 ALTERNATIVE: 0.05-0.75 MICROMETERS GOLD PLATING OVER 2.00 MICROMETERS NICKEL MUST USE AN ELECTRONIC CONTACT GRADE CORROSIVE BARRIER LUBRICANT
 - CHAMFER IS OPTIONAL AND IS NOT TO HIT THE GOLD PADS
 - LEADING EDGE OF GOLD PADS SPECIFIED BY KEEPOUT ZONE SHALL BE FREE OF BURRS AND EXTERNAL TIE BARS

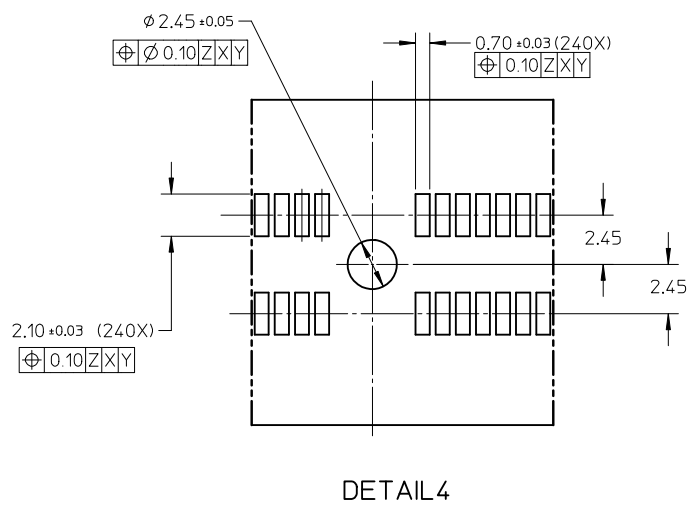
FORK LOCK CHANGE EC NO: S2012-0910 DRWN: JAKEEWEW 2012/06/05 CHKD: CGTAN 2012/06/06 APPR: SHLENI 2012/06/19 REV 4	QUALITY SYMBOLS $F_A=0$ $F_G=0$ $F_P=0$	GENERAL TOLERANCES (UNLESS SPECIFIED)		DIMENSION STYLE MM ONLY		SCALE NTS	DESIGN UNITS METRIC	THIRD ANGLE PROJECTION		
		4 PLACES ± --- ± ---	mm INCH	DRAWN BY CCTEH	DATE 2010/03/30	TITLE 1MM PITCH DDR3 VLP LSP 240CKTS SMT LOWLLCR				
		3 PLACES ± --- ± ---		CHECKED BY CGTAN	DATE 2010/09/08	molex DOCUMENT NO. SD-78603-001 SHEET NO. 4 OF 6				
		2 PLACES ± 0.20 ± ---		APPROVED BY SHLENI	DATE 2010/09/08					
1 PLACE ± --- ± ---		MATERIAL NO. SEE TABLE		THIS DRAWING CONTAINS INFORMATION THAT IS PROPRIETARY TO MOLEX INCORPORATED AND SHOULD NOT BE USED WITHOUT WRITTEN PERMISSION						
0 PLACE ± --- ± ---		ANGULAR ± 3 °								
DRAFT WHERE APPLICABLE MUST REMAIN WITHIN DIMENSIONS										

9 8 7 6 5 4 3 2 1

10 9 8 7 6 5 4 3 2 1



RECOMMENDED STENCIL THICKNESS = 150 MICROMETERS
 RECOMMENDED PCB THICKNESS = 1.57MM ~ 3.18MM



DETAIL 4

FORK LOCK CHANGE EC NO: S2012-0910 DRWN: JAKEENEW 2012/06/05 CHKD: CGTAN 2012/06/06 APPR: SHLENI 2012/06/19	QUALITY SYMBOLS	GENERAL TOLERANCES (UNLESS SPECIFIED)		DIMENSION STYLE	SCALE	DESIGN UNITS	THIRD ANGLE PROJECTION
	$\nabla_A = 0$ $\nabla_C = 0$ $\nabla_P = 0$	mm	INCH	MM ONLY	NTS	METRIC	
		4 PLACES ± --- ± ---		DRAWN BY	DATE	TITLE	
		3 PLACES ± --- ± ---		CCTEH	2010/03/30	1MM PITCH DDR3 VLP LSP	
	2 PLACES ± 0.20 ± ---		CHECKED BY	DATE	240CKTS SMT LOWLLCR		
	1 PLACE ± --- ± ---		CGTAN	2010/09/08			
	0 PLACE ± ±		APPROVED BY	DATE			
			SHLENI	2010/09/08			
		ANGULAR ± 3 °	MATERIAL NO.				
		DRAFT WHERE APPLICABLE MUST REMAIN WITHIN DIMENSIONS	SEE TABLE				
			SIZE				
			A3				
			THIS DRAWING CONTAINS INFORMATION THAT IS PROPRIETARY TO MOLEX INCORPORATED AND SHOULD NOT BE USED WITHOUT WRITTEN PERMISSION				

9 8 7 6 5 4 3 2 1

PART NUMBER	VOLTAGE KEY POSITION	PLATING OPTION	HOUSING COLOR	PICK & PLACE CAP	LATCH COLOR
78603-0001	CENTER 1.5V	0.76 μ-METER /30 μ-INCH MIN. GOLD ON CONTACT 2.54 μ-METER /100 μ-INCH MIN. PURE TIN (MATTE) ON SOLDER TAILS 1.27 μ-METER /50 μ-INCH MIN. NICKEL UNDERPLATE	BLACK	NO	BLACK
78603-0002					NATURAL
78603-0003					BLUE
78603-0501				YES	BLACK
78603-0502					NATURAL
78603-0503					BLUE

FORK LOCK CHANGE EC NO: S2012-0910 DRWN: JAKEEMEW 2012/06/05 CH'KD: CGTAN 2012/06/06 APPR: SHLENI 2012/06/19	REV 4	DESCRIPTION QUALITY SYMBOLS ▽=0 ▽=0 ▽=0	GENERAL TOLERANCES (UNLESS SPECIFIED)		DIMENSION STYLE MM ONLY		SCALE NTS	DESIGN UNITS METRIC	THIRD ANGLE PROJECTION			
							DRAWN BY CCTEH	DATE 2010/03/30	TITLE 1MM PITCH DDR3 VLP LSP 240CKTS SMT LOWLLCR			
							CHECKED BY CGTAN	DATE 2010/09/08				
								APPROVED BY SHLENI	DATE 2010/09/08	molex DOCUMENT NO. SD-78603-001 SHEET NO. 6 OF 6		
					MATERIAL NO. SEE TABLE							
			ANGULAR ± 3 °		DRAFT WHERE APPLICABLE MUST REMAIN WITHIN DIMENSIONS		THIS DRAWING CONTAINS INFORMATION THAT IS PROPRIETARY TO MOLEX INCORPORATED AND SHOULD NOT BE USED WITHOUT WRITTEN PERMISSION					