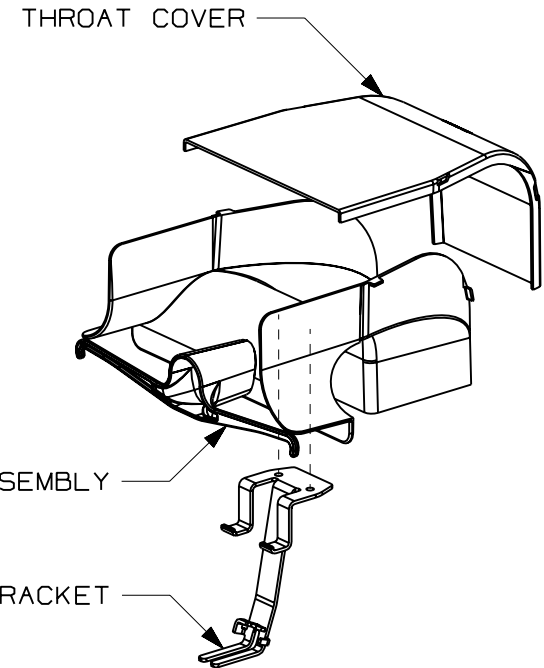
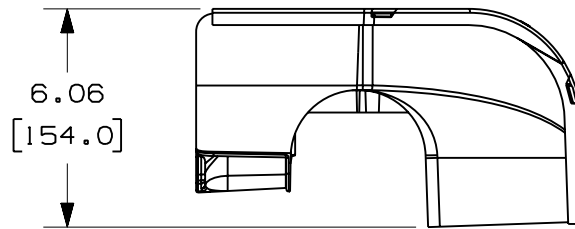
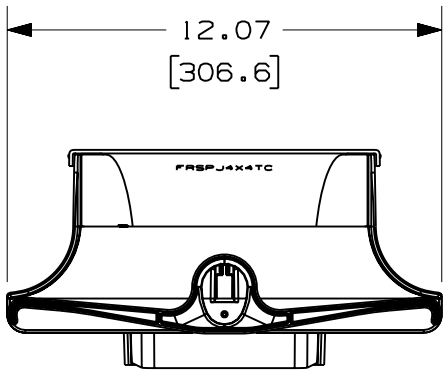
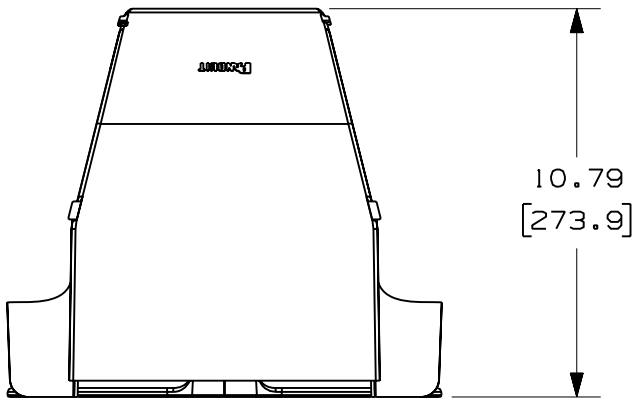


NOTES:

- SEE CURRENT CATALOG FOR ADDITIONAL PART SUFFIXES TO INDICATE COLOR AND/OR PACKAGE QUANTITY.
- THE FIBERRUNNER SPILL-OVER JUNCTION WITH 4x4 EXIT INCLUDES:
 ONE (1) BASE ASSEMBLY,
 ONE (1) THROAT COVER,
 ONE (1) SUPPORT BRACKET,
 ONE (1) 1/4-20 T-BOLT,
 ONE (1) 1/4-20 HEX KEPS LOCK NUT,
 TWO (2) 1/4-14x1/2 HEX WASHER HEAD TAPPING SCREWS
- DIMENSIONS IN PARENTEHESES ARE IN METRIC.

PANDUIT PART NUMBER	WEIGHT
FRSPJ4X4	2.03 LB/EACH (921g/EACH)



ENG. REF.: D39851BZ_DC/00 FRSPJ4X4.prt

CAD FILENAME/LAYERS: FRSPJ4X4.pdf

PANDUIT CORP TINLEY PARK, ILLINOIS
FIBERRUNNER SPILL-OVER JUNCTION WITH 4x4 EXIT (FRSPJ4X4)
 CUSTOMER DRAWING

UNLESS OTHERWISE SPECIFIED, DIMENSIONAL TOLERANCES ARE:
 (.X) ± (.XXX) ±
 (.XX) ± .03 (.8) ANGLES ±

UNLESS OTHERWISE SPECIFIED, ALL DIMENSIONS ARE GIVEN IN INCHES, THIRD ANGLE PROJECTION.

DRAWN BY: MSO	MAT'L: ABS/STEEL	SCALE: NONE
DATE: 7-6-09		DRAWING NO.: 39851-23
CHK'D: EB		DWG SIZE: A

REV	DATE	BY	CHK	DESCRIPTION	ECN	R	CUST	SUP	GMBH
R	7-6-09	MSO	EB	RELEASED TO PRODUCTION	39851-23	RN	RN		