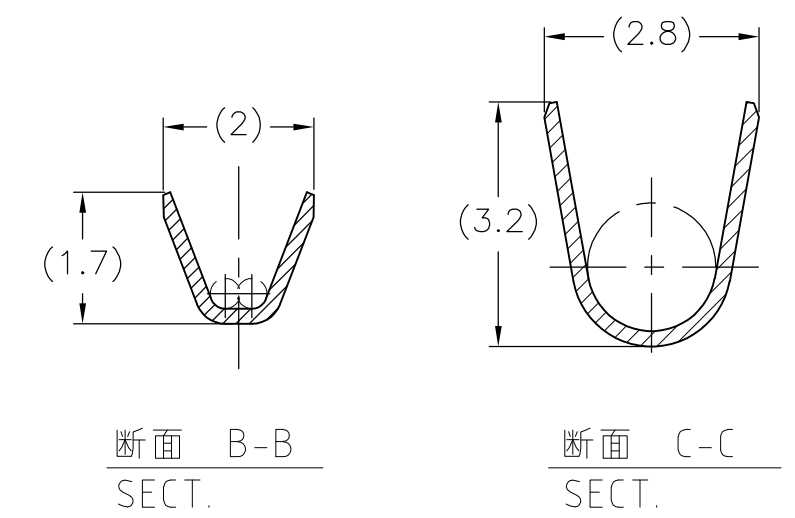
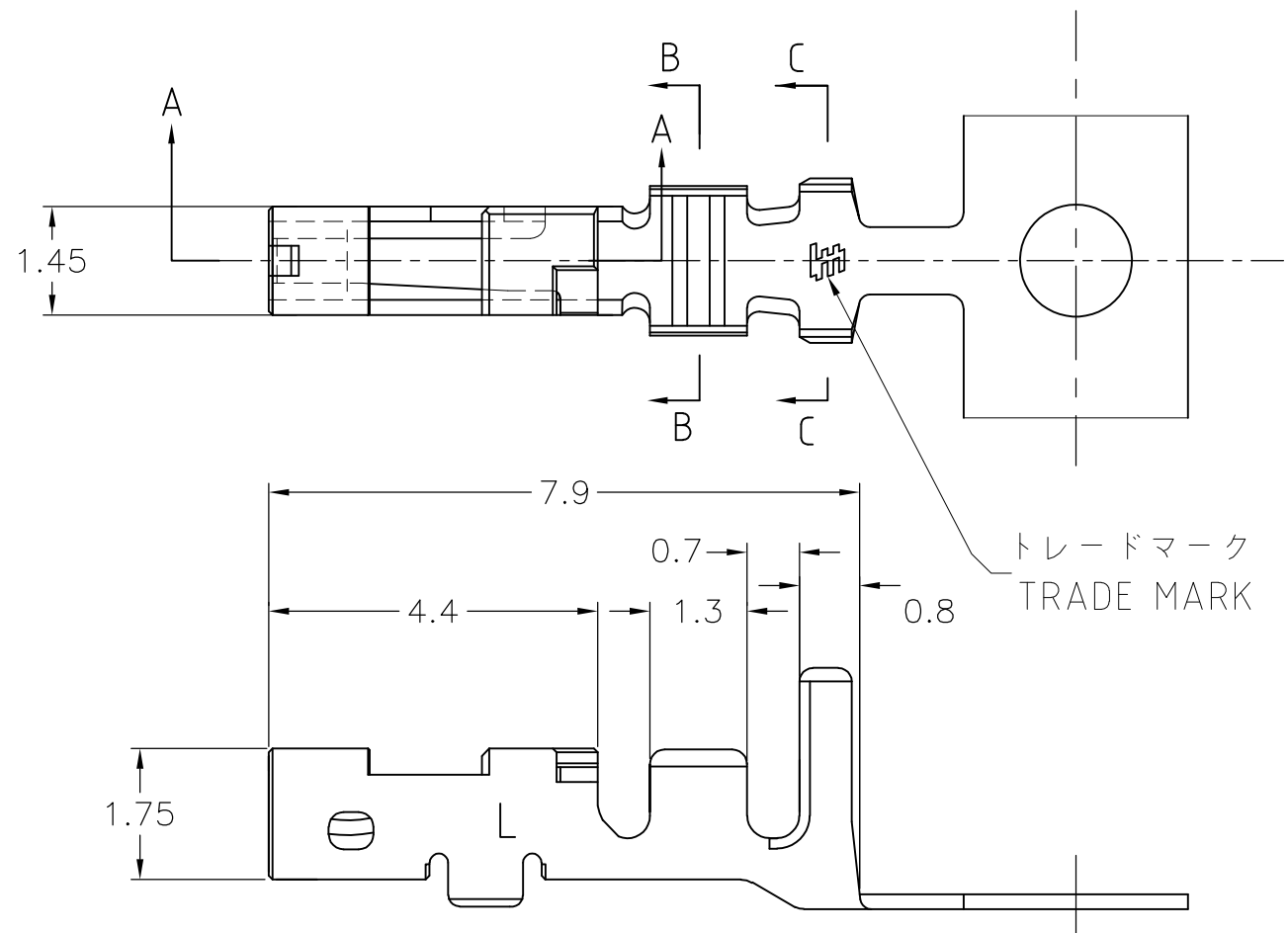


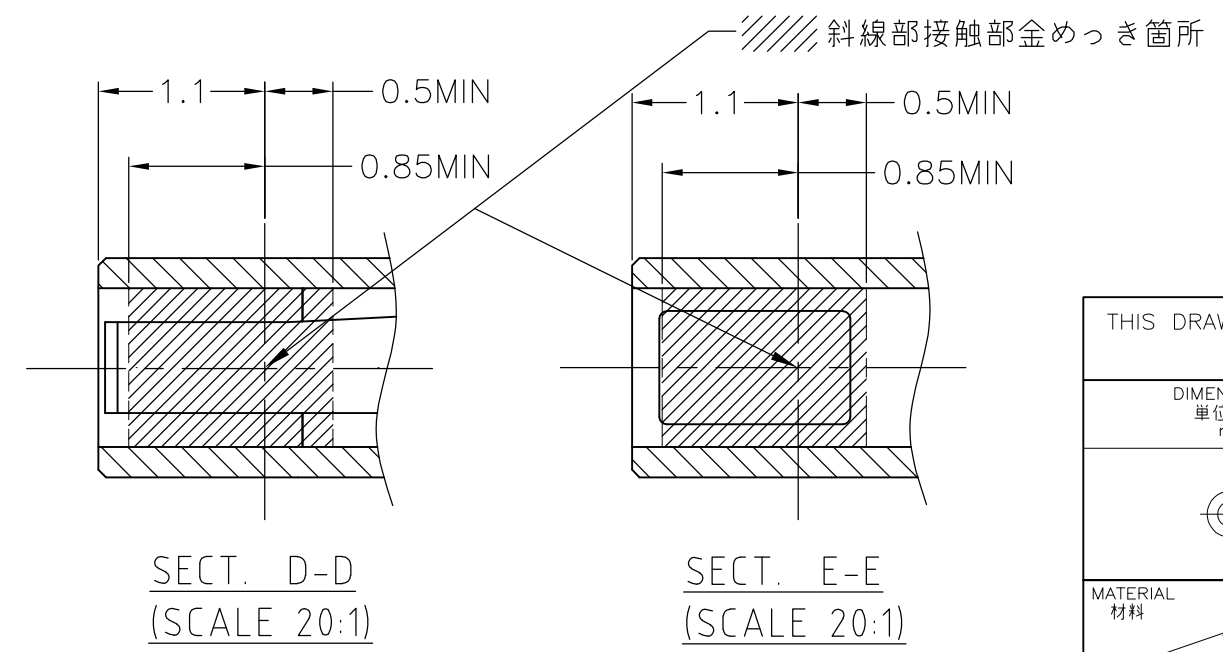
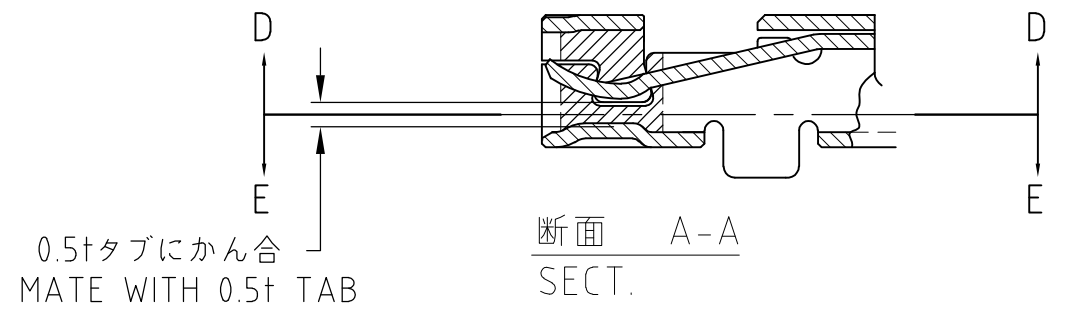
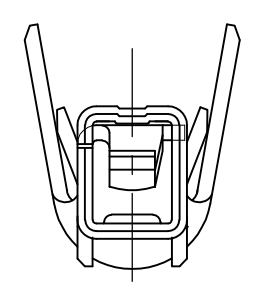
THIS DRAWING IS UNPUBLISHED. RELEASED FOR PUBLICATION
 © COPYRIGHT BY TYCO ELECTRONICS CORPORATION. ALL RIGHTS RESERVED.

LOC	DIST	REVISIONS					
J	—	P	LTR	DESCRIPTION	DATE	DWN	APVD
			C	REVISED PER ECR-10-007266	12APR10	HMR	TM



注 ;
 1. 適用プラグ・ハウジング型番 X-1747066-2~8

NOTES ;
 1. APPLICABLE PLUG HOUSING P/N ; X-1747066-2~8



AWG#22~#20 0.31~0.53mm ²	Φ 1.4~Φ 1.9	PHOS-BRO , FINISH : Au , OVIER Ni 下地 : Niめっき , 仕上 : 金めっき・リン青銅	1747591-1
WIRE RANGE 導体断面積	INSULATION DIA 被覆外径	MATERIAL 材料	PART No. 型番

THIS DRAWING IS A CONTROLLED DOCUMENT.		DWN T.HATANO 01OCT2004	Tyco Electronics AMP K.K. Kawasaki, Japan	
DIMENSIONS: 単位: 耗 mm		CHK N.YAMASAKI 01OCT2004	NAME GRACE INERTIA CONNECTOR 2.5 REC CONTACT (L TYPE)	
TOLERANCES UNLESS OTHERWISE SPECIFIED: 一般公差		APVD N.YAMASAKI 01OCT2004	PRODUCT SPEC 製品規格 108-5992	
0 PLC ± 0.3 1 PLC ± - 2 PLC ± - 3 PLC ± - 4 PLC ± - ANGLES ± 3deg		APPLICATION SPEC 取付適用規格 114-5359	SIZE A3	CAGE CODE 00779
MATERIAL 材料	FINISH 仕上	WEIGHT -	DRAWING NO 番号 G-1747591	RESTRICTED TO -
CUSTOMER DRAWING			SCALE 尺度 10:1	SHEET 1 OF 1