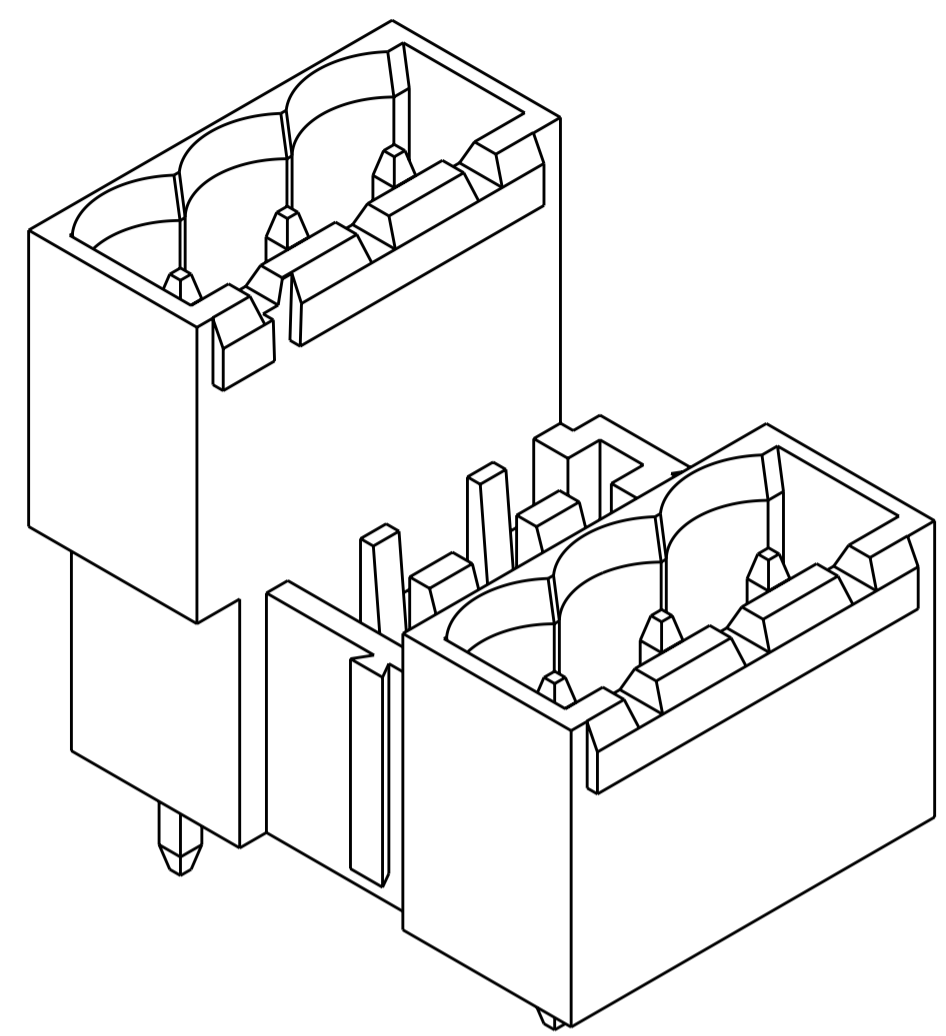
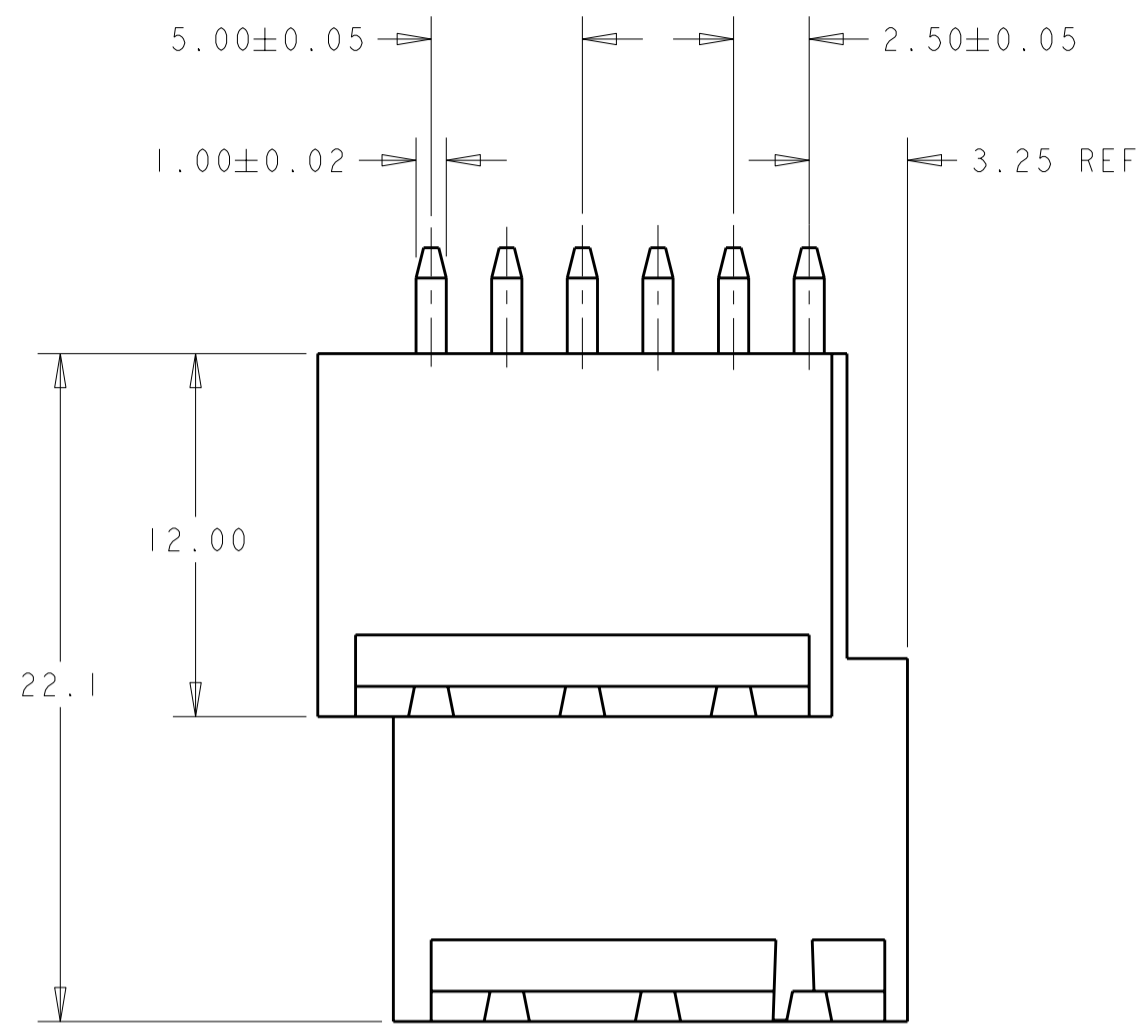


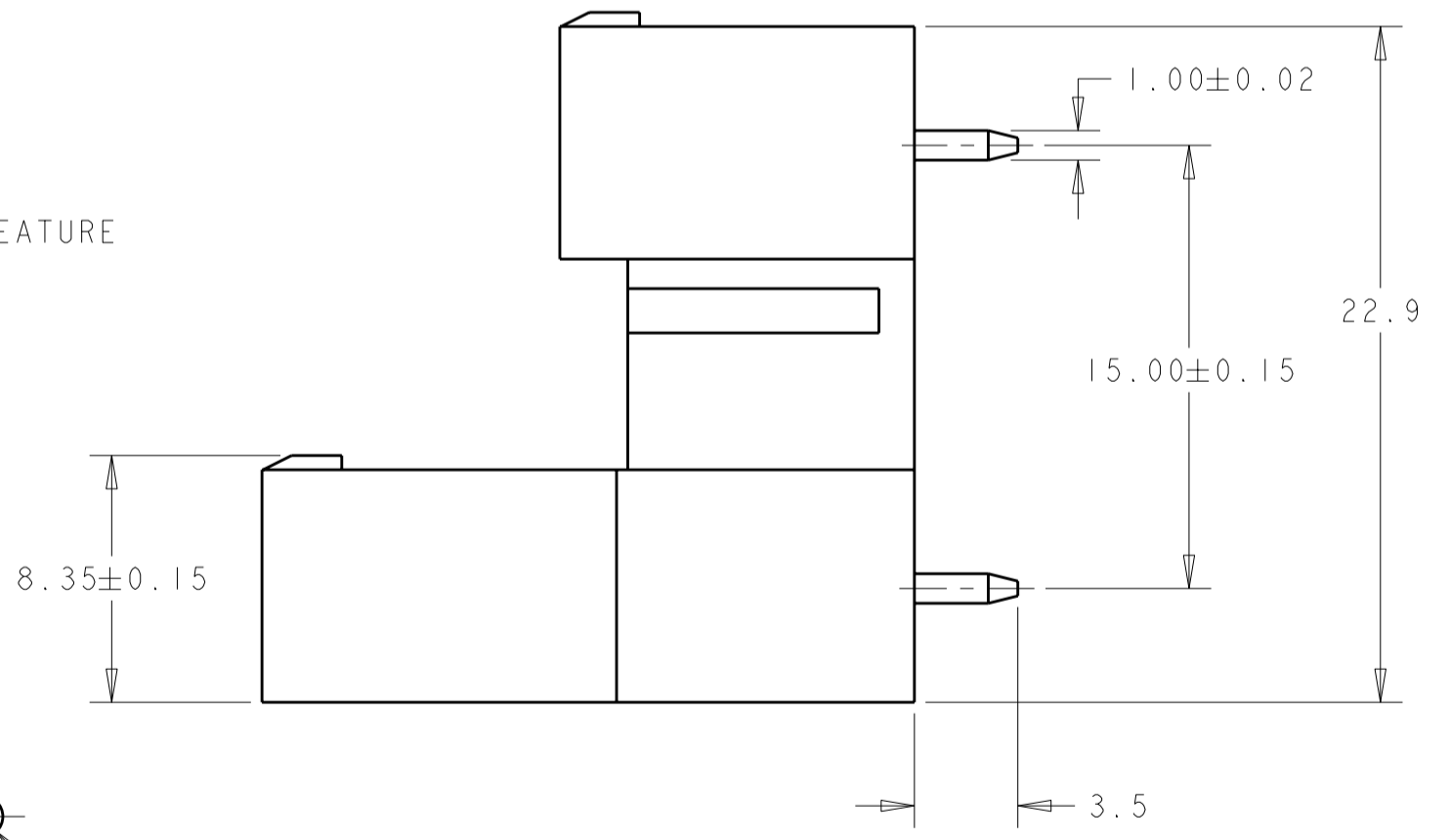
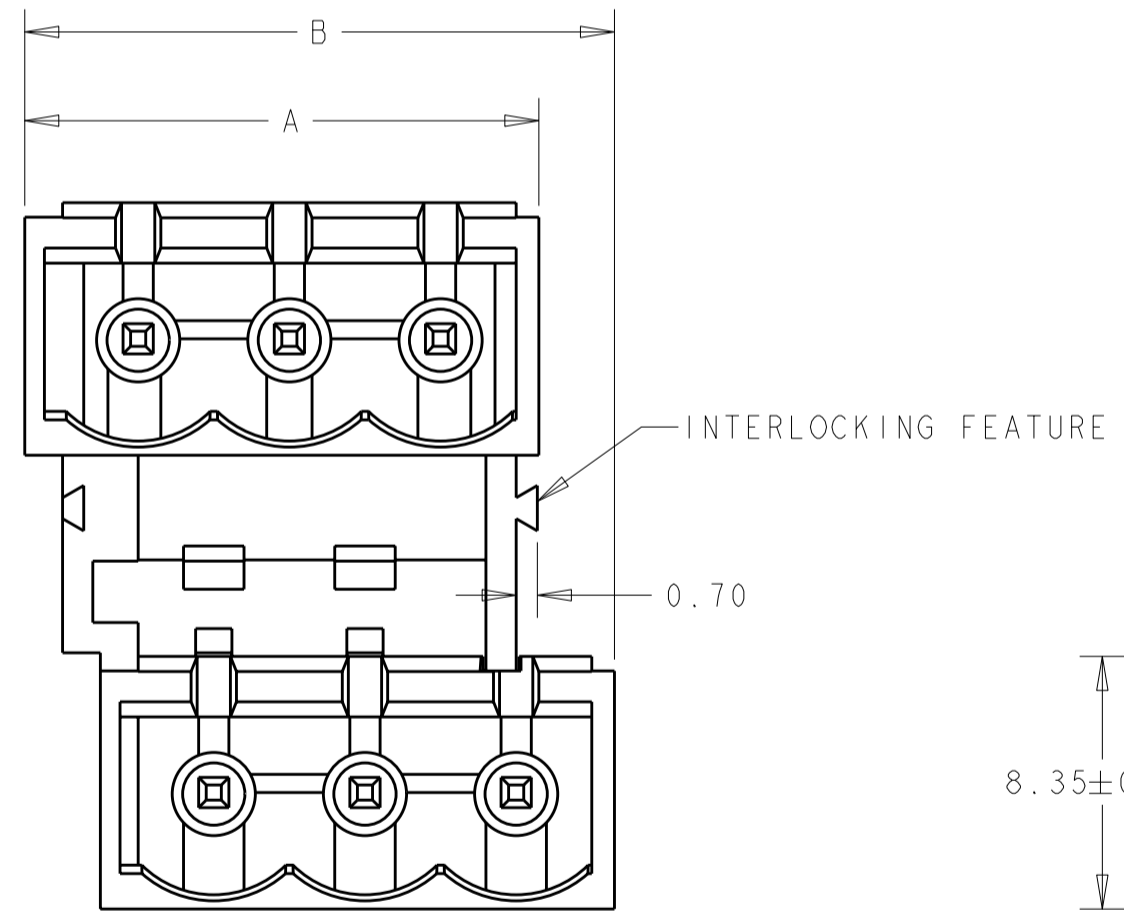
THIS DRAWING IS UNPUBLISHED. RELEASED FOR PUBLICATION 20
 © COPYRIGHT 20 BY - ALL RIGHTS RESERVED.

LOC		DIST		REVISIONS			
P	LTR	DESCRIPTION	DATE	DWN	APVD		
	01	REVISED PER ECO-12-007714	25APR2012	KH	MS		

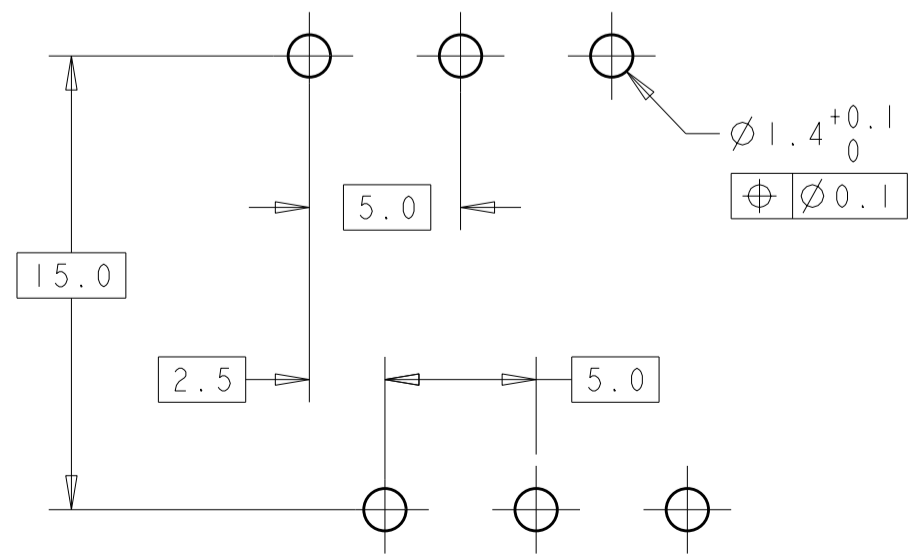


1. MATERIALS AND FINISH
 HOUSING: HIGH TEMPERATURE POLYAMIDE, UL 94V-0 RATED, COLOR: BLACK.
 TERMINAL: COPPER ALLOY, TIN PLATED.
2. SUITABLE FOR 1,6-2,4mm PC BOARD THICKNESS.
3. P/N FROM 1776164-4 TO 1776164-8 ARE OBTAINED BY ASSEMBLING 1776164-2 AND 1776164-3 TO ACHIEVE THE DESIRED NUMBER OF POSITIONS.

1776164-3 AS SHOWN



44.5	42.0	8	1776164-8
39.5	37.0	7	1776164-7
34.5	32.0	6	1776164-6
29.5	27.0	5	1776164-5
24.5	22.0	4	1776164-4
19.5	17.0	3	1776164-3
14.5	12.0	2	1776164-2
B	A	NO OF POSN	PART NUMBER



RECOMMENDED PC BOARD LAYOUT

THIS DRAWING IS A CONTROLLED DOCUMENT.

DIMENSIONS:	TOLERANCES UNLESS OTHERWISE SPECIFIED:	DWN	12 JUL 2005
mm	0 PLC ±.3	CHK	12 JUL 2005
	1 PLC ±.3	APVD	12 JUL 2005
	2 PLC ±.25	PRODUCT SPEC	
	3 PLC ±.	APPLICATION SPEC	
	4 PLC ±.	WEIGHT	
	ANGLES ±2	CUSTOMER DRAWING	
	FINISH	SCALE	4:1

MATERIAL:

STE TE Connectivity

NAME: TERMINAL BLOCK HEADER ASSEMBLY, MULTIPLE, 180 DEGREE, CLOSED ENDS, 5.00mm PITCH

SIZE: A2 CAGE CODE: 00779 DRAWING NO: 1776164 RESTRICTED TO: -

SHEET 1 OF 1 REV 01