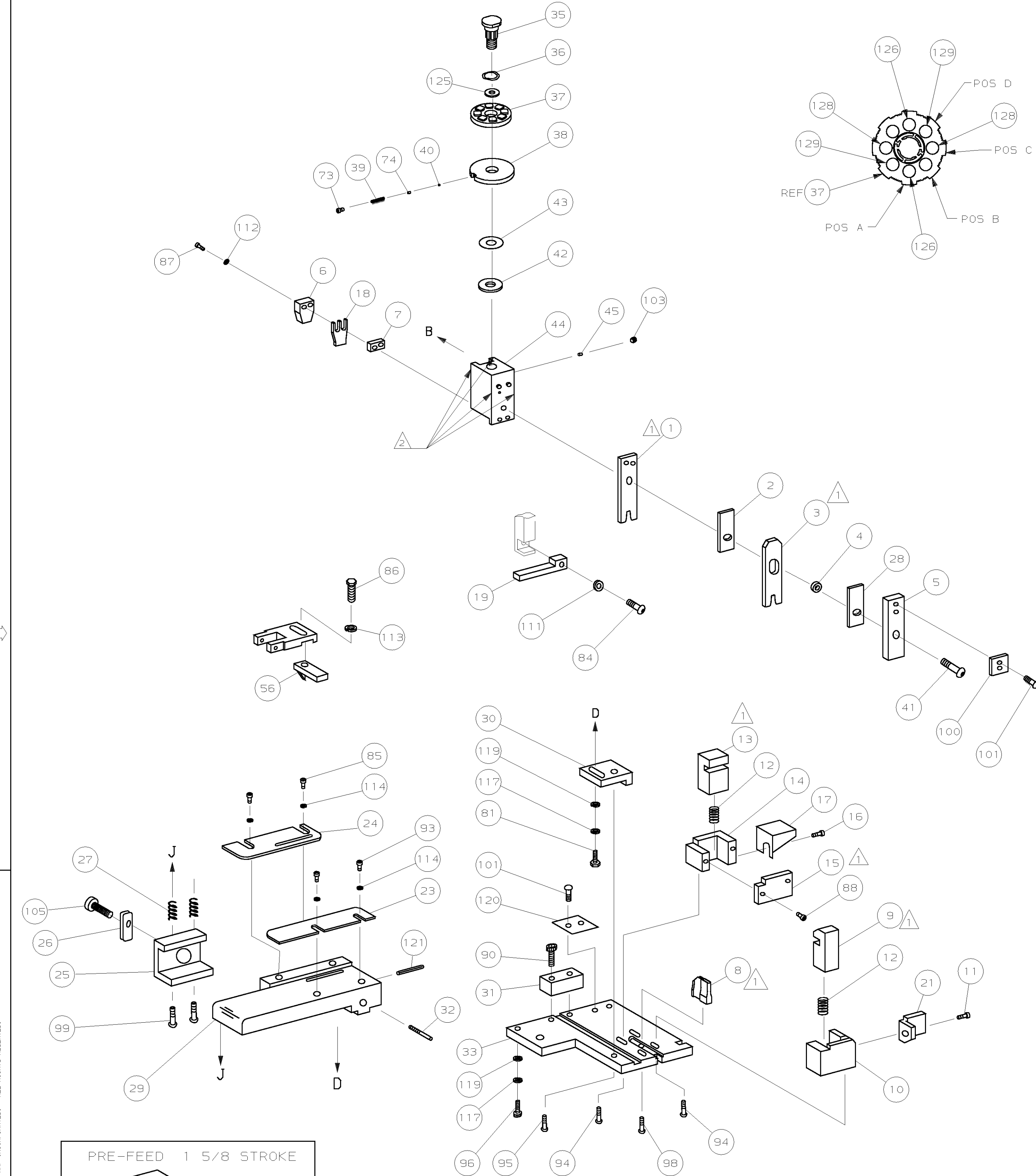


PART NUMBER	REV	FIRST USED
567967-1	C	854040-3

TERMINAL NAME: (AMP TERMINAL)					
794606-3	VISIBLE	CRIMP DATA (NON-AMP TERM-CUST SPEC)			
	PAD LTR	CRIMP HEIGHT	WIRE SIZE		
	A	.035 ±.002 [0.89 ±0.05mm]	20		
	B	.031 ±.002 [0.79 ±0.05mm]	22		
	C	.027 ±.002 [0.69 ±0.05mm]	24		
	D	NOT	USED		
	CRIMP	SIZE	TYPE		
	WIRE	.055 [1.40mm]	F		
	INSUL	.070 [1.78mm]	F		
			RANGE		
			24-20		
			.035-.060		
WIRE STRIP LENGTH	TERM APPL SPEC	FEED	APPL INSTRUCTION	SET UP GAGE	LAYOUT
.114-.139	114-13000	.250	SEE CUSTOMER MANUAL	NONE	L2399

SIM TO HDM 680893

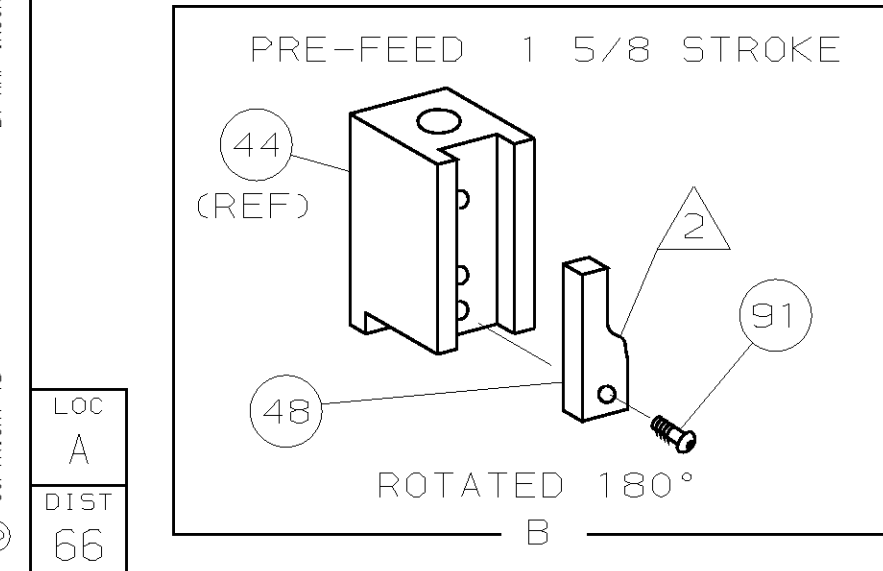
QTY	REV	TERMINAL	DESCRIPTION	ITEM NO
				70
				69
				68
				67
				66
				65
				64
				63
				62
				61
				60
				59
				58
				57
1	-	B	679904-1 PAWL, FEED	56
				55
				54
				53
				52
				51
				50
				49
1	-	A	690602-6 CAM, PRE-FEED 1.62 STROKE	48
				47
				46
1	-	A	690191-1 PLUG, NYLON	45
1	-	C	455673-1 RAM	44
1	-	A	690125-1 WASHER, LAMINATED	43
1	-	A	690124-1 WASHER, RAM	42
1	-	A	7-21002-9 BOLT, CRIMPER (5/16x1.00)	41
1	-	A	23241-6 BALL, STEEL	40
1	-	A	690170-1 SPRING, COMPRESSION	39
1	-	C	690142-1 DISC, INSULATION	38
1	-	D	354777-1 WIRE DISC, PLASTIC	37
1	-	A	22480-5 WASHER, SPRING	36
1	-	B	690212-1 POST, RAM	35
				34
1	-	C	462544-1 PLATE, BASE SPECIAL	33
1	-	A	690432-3 SCREW, ADJUSTMENT	32
1	-	B	462543-1 BLOCK, SCREW SPECIAL	31
1	-	B	455689-1 BLOCK, STRIP GUIDE ADJ	30
1	-	C	844048-1 PLATE, STRIP GUIDE	29
1	-	C	1-455888-6 SPACER, FRONT SHEAR DEP	28
2	-	A	1-22284-0 SPRING, DRAG	27
1	-	B	240793-1 LEVER, DRAG RELEASE	26
1	-	B	240792-1 DRAG, TERMINAL	25
1	-	D	690438-1 GUIDE, STRIP (REAR)	24
1	-	A	189124-7 GUIDE, STRIP (FRONT)	23
				22
1	-	A	463756-1 GUIDE, SCRAP	21
				20
REF	-	C	462615-1 STRIPPER	19
1	-	B	2-690518-4 HOLDER, TERMINAL	18
1	-	A	691668-1 GUARD, CHIP (REAR)	17
1	-	A	690461-1 STOP, SHEAR (REAR)	16
1	-	B	1-690691-1 PLATE, SHEAR (REAR)	15
1	-	B	690462-1 HOLDER, SHEAR (REAR)	14
1	-	C	690463-1 SHEAR, FLOAT (REAR)	13
2	-	A	5-22280-0 SPRING, SHEAR	12
1	-	B	1-690461-6 STOP, SHEAR (FRONT)	11
1	-	B	462548-1 HOLDER, SHEAR (FRONT) SP	10
1	-	B	462547-4 SHEAR, FLOAT (FRONT) SP	9
1	-	C	3-904132-6 ANVIL	8
1	-	C	240641-1 SPACER, DEPRESSOR (REAR)	7
1	-	B	690468-2 DEPRESSOR, SHEAR (REAR)	6
1	-	A	462838-7 DEPRESSOR, SHEAR (FRONT) SP	5
1	-	B	2-238011-0 SPACER, BLOCK CRIMPER	4
1	-	C	2-683453-0 CRIMPER, INSULATION	3
1	-	C	455888-5 SPACER, CRIMPER	2
1	-	C	4-456402-5 CRIMPER, WIRE	1



QTY	REV	TERMINAL	DESCRIPTION	ITEM NO
2	-	C	7-354779-0 PIN, WIRE DISC (.3340)D	129
2	-	C	6-354779-2 PIN, WIRE DISC (.3300)C	128
				127
2	-	C	7-354779-8 PIN, WIRE DISC (.3380)A	126
1	-	A	986950-1 WASHER, FLAT PRECISION	125
1	-	A	217238-3 GENERAL INSTRUCTION PACKAGE	124
				123
				122
1	-	A	4-21028-0 PIN, SLT SPR (ø.093x.75) ST GDE PL	121
1	-	B	690701-2 PLATE, SERIAL NO.	120
2	-	A	21899-2 WASHER, FLAT (#10) S G ADJ BLK	119
				118
2	-	A	21024-5 WASHER, LOCK (#10) ADJ BLOCK	117
				116
				115
2	-	A	21024-2 WASHER, LOCK (#4) FRONT STP GUIDE	114
REF	-	A	21024-4 WASHER, LOCK (#8) FEED FINGER	113
2	-	A	21024-4 WASHER, LOCK (#8) DEP-HOLD	112
REF	-	A	21024-4 WASHER, LOCK (#8) STRIPPER	111
				110
				109
				108
				107
				106
1	-	A	22353-8 SCR, SHLDR (.187x.25) DRAG LEVER	105
				104
1	-	A	21009-2 SCR, SKT SET (1/4-20x.25 LW) RAM	103
				102
4	-	A	21017-2 SCR, DRIVE (#2x.19) ID PLATE	101
1	-	B	819347-1 PLATE, IDENTIFICATION	100
2	-	A	5-21006-6 SCR, SET, 10-32 X .75	99
1	-	A	22733-8 SCR, BHC (8-32x.38 LW) ANVIL	98
				97
1	-	A	3-21000-8 SCR, SHC (10-32x.88) MOUNTING	96
1	-	A	2-21002-7 SCR, BHC (10-32x.50) S6 ADJ BLK	95
4	-	A	2-21002-2 SCR, BHC (8-32x.50) SHEAR-TERM SUP	94
2	-	A	1-21000-4 SCR, BHC (8-32x.38) R STP GDE	93
				92
1	-	A	1-21002-7 SCR, SHC (6-32x.50) CAM	91
2	-	A	2-21000-7 SCR, SHC (8-32x.50) SCR BLK	90
				89
2	-	A	1-21000-8 SCR, SHC (6-32x.50) REAR SHEAR PL	88
2	-	A	2-21000-8 SCR, SHC (8-32x.75) DEP-HOLD DOWN	87
REF	-	A	2-22603-0 SCR, HEX HD (8-32x.31) FEED FINGER	86
2	-	A	1-21000-3 SCR, SHC (4-40x.25) F ST GUIDE	85
REF	-	A	22733-9 SCR, BHC (8-32x.50 SL) STRIPPER	84
				83
				82
1	-	A	3-22603-1 SCR, HEX (10-32x.38) S6 ADJ BL	81
				80
				79
				78
2	-	B	463310-6 BLADE, STRIPPING (#22)	77
				76
				75
1	-	A	690603-1 SPRING, ASSIST	74
1	-	A	23030-1 SCR, SKT CAP (6-32x.25) CP DSC	73
				72
				71

QTY	REV	DWG SIZE	PART NO	DESCRIPTION	ITEM NO
-1	U/M				

QTY RECD PER ASSY		PARTS LIST	



- △ 1 RECOMMENDED SPARE PARTS.
- △ 2 GREASE LIGHTLY.
- △ 3 ITEM NOT SHOWN

DIMENSIONS IN INCHES. DO NOT SCALE PRINT. TOLERANCES UNLESS OTHERWISE SPECIFIED:
 2 PLC DEC ±
 3 PLC DEC ±
 4 PLC DEC ±
 ANGLES ±
 SURF TEXTURE: ✓
 REMOVE BURRS, BREAK SHARP EDGES R.015 MAX

MATL - HT TR - FIN -

DR: B.HIGMAN 09JUN00 APP: T.ELBIN 09JUN00
 CHK: B.HIGMAN 09JUN00 REL: -

AMP AMP Incorporated Harrisburg, PA 17105-3608

NAME: STRIPPER CRIMPER APPLICATOR MACHINE REF: STRIPPER CRIMPER

SCALE: - DWG NO: 567967 SHEET 1 OF 1 REV C1

CASE CODE: 00779 CUSTOMER AND ASSEMBLY DRAWING RESTRICTED TO

THIS DRAWING IS A CONTROLLED DOCUMENT.

THIS DRAWING IS UNRELEASED. RELEASE FOR PUBLICATION BY AMP INCORPORATED. ALL RIGHTS RESERVED. LOC A DIST 66

567967