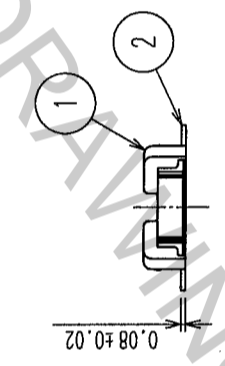
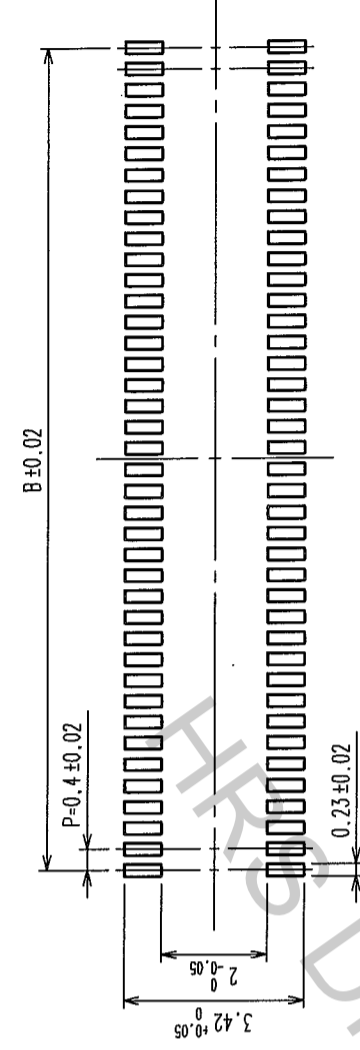
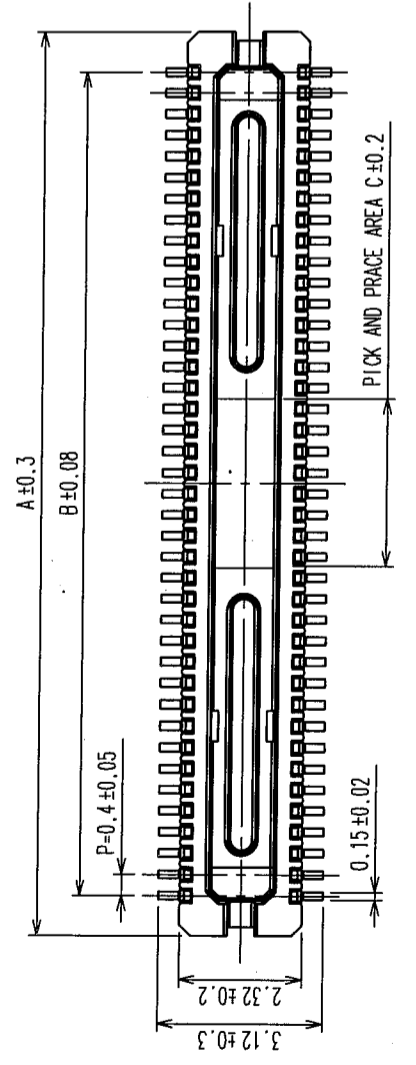
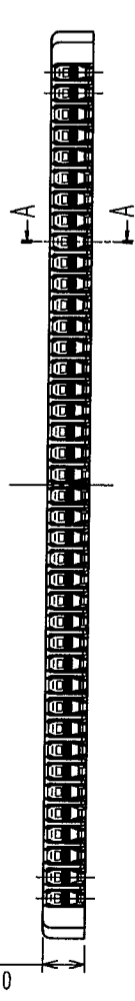


COUNT	DESCRIPTION OF REVISIONS	BY	CHKD	DATE	COUNT	DESCRIPTION OF REVISIONS	BY	CHKD	DATE
△					△				
△					△				
△					△				

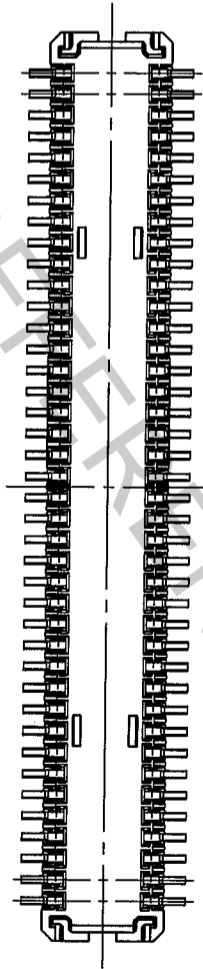


RECOMMENDED SOLDER PASTE: THICKNESS 120 μm

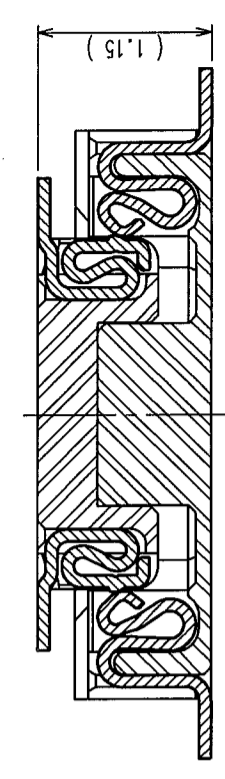
RECOMMENDED METAL MASK OPENING DIMENSIONS FOR LEAD PAD (20:1)



A-A(20:1)



ENGAGEMENT FIGURE(20:1)



- NOTE 1. ALL LEADS CO-PLANARITY SHALL BE 0.1 MAX.  
 2. PER REEL : 1000 CONNECTORS.  
 3. AT THE BEGINNING OF THE REEL, 100 mm AT MIN SHALL BE EMPTY POCKETS.  
 AT THE END OF THE REEL, 160 mm AT MIN SHALL BE EMPTY POCKETS.  
 4. NO CAVITY ON THE CONNECTORS LESS THAN 24 POS.  
 5. CONTACT PLATING SPECIFICATIONS.

CONTACT AREA : GOLD 0.05 μm MIN.  
 SMT LEAD : GOLD 0.02 μm MIN.  
 UNDERPLATING : NICKEL 1 μm MIN.  
 (SURFACE : SEALING)

PART NO.	CODE NO.	A	B	C
DF30CJ-800P-0.4V(82)	CL684-1156-8-82	17.14	15.6	3.2
DF30CJ-700P-0.4V(82)	CL684-1155-5-82	15.14	13.6	2.8
DF30CJ-600P-0.4V(82)	CL684-1154-2-82	13.14	11.6	2.4
DF30CJ-500P-0.4V(82)	CL684-1153-0-82	11.14	9.6	2
DF30CJ-400P-0.4V(82)	CL684-1152-7-82	9.14	7.6	1.6
DF30CJ-340P-0.4V(82)	CL684-1151-4-82	7.94	6.4	1.36
DF30CJ-300P-0.4V(82)	CL684-1150-1-82	7.14	5.6	1.2
DF30CJ-240P-0.4V(82)	CL684-1149-2-82	5.94	4.4	1.2
DF30CJ-220P-0.4V(82)	CL684-1148-0-82	5.54	4.0	1.2
DF30CJ-200P-0.4V(82)	CL684-1147-7-82	5.14	3.6	1.2

NO.	MATERIAL	FINISH, REMARKS	DESIGNED	CHECKED	APPROVED	RELEASED
2	PHOSPHOR BRONZE	5				
1	LCP	UL94V-0, BLACK				
3	PS	POLYESTER				
4	PS	CLEAR(COVER TAPE)				
5	PS	BLACK(PLASTIC REEL)				

DRAWN	DESIGNED	CHECKED	APPROVED
F. Matsuki	A. Takahashi	T. Miyayaki	J. Owa
'05.03.08	'05.03.09	'05.03.09	'05.03.09

DRAWING NO.	PART NO.
EDC3-304055-01	DF30CJ-*DP-0.4V(82)

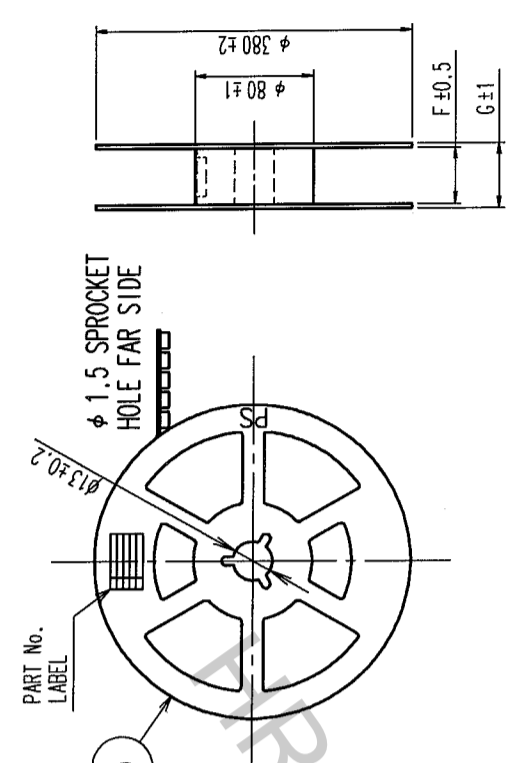
SCALE	UNITS
FREE	mm

CODE NO.
CL684-*****-82

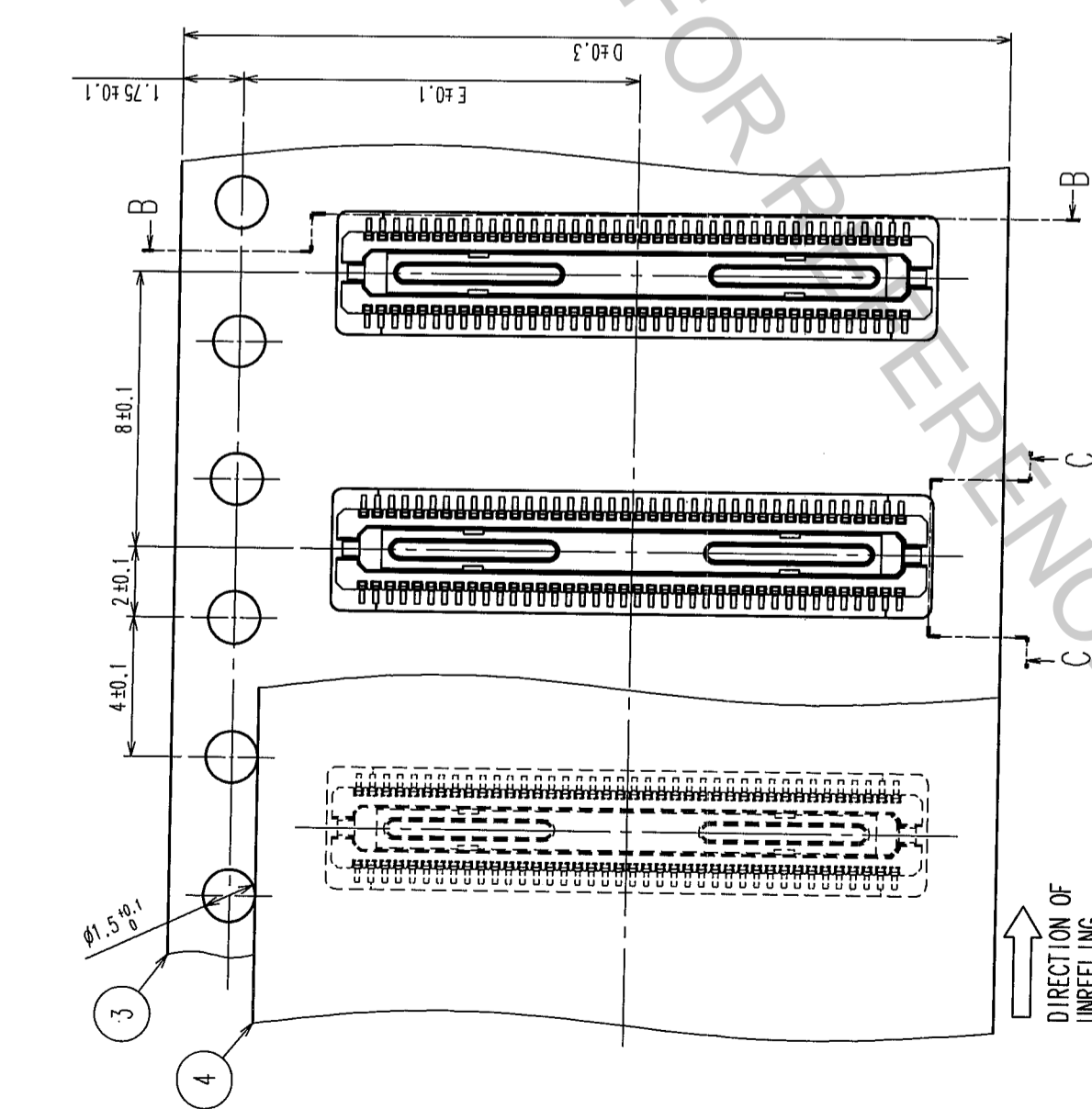
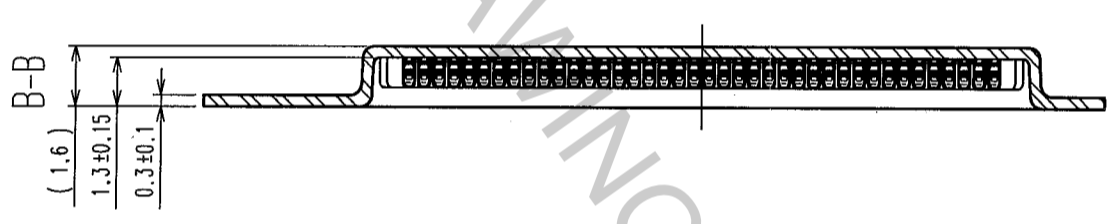
COUNT	DESCRIPTION OF REVISIONS	BY	CHKD	DATE	COUNT	DESCRIPTION OF REVISIONS	BY	CHKD	DATE

STYLE AND DIMENSION OF REEL (FREE SIZE)

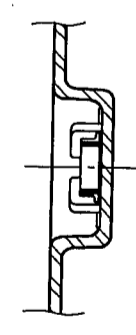


DETAIL OF PART NO. LABEL

SUPPLIER	ヒロセ電機(株)
QUANTITY	1000個
PART NO.	CL684-***-82
CODE NO.	DF30CJ-***DP-0.4V(82)
DATE OF MANUFACTURE	年月日
生産月日	
図番	CL684-***-82
品名	DF30CJ-***DP-0.4V(82)
納入数量	1000個
納入者	ヒロセ電機(株)



C-C



↑ DIRECTION OF UNREELING

PART No.	CODE No.	D	E	F	G
DF30CJ-80DP-0.4V(82)	CL684-1156-8-82	24	11.5	25.5	29.5
DF30CJ-70DP-0.4V(82)	CL684-1155-5-82	24	11.5	25.5	29.5
DF30CJ-60DP-0.4V(82)	CL684-1154-2-82	24	11.5	25.5	29.5
DF30CJ-50DP-0.4V(82)	CL684-1153-0-82	24	11.5	25.5	29.5
DF30CJ-40DP-0.4V(82)	CL684-1152-7-82	16	7.5	17.5	21.5
DF30CJ-34DP-0.4V(82)	CL684-1151-4-82	16	7.5	17.5	21.5
DF30CJ-30DP-0.4V(82)	CL684-1150-1-82	16	7.5	17.5	21.5
DF30CJ-24DP-0.4V(82)	CL684-1149-2-82	16	7.5	17.5	21.5
DF30CJ-22DP-0.4V(82)	CL684-1148-0-82	16	7.5	17.5	21.5
DF30CJ-20DP-0.4V(82)	CL684-1147-7-82	16	7.5	17.5	21.5

CODE NO. (OLD)		DESIGNED	A. Takahashi	CHECKED	T. Miyazaki	APPROVED	J. Oka	RELEASED	
DRAWN	F. Matsuki	DATE	'05.03.08	DATE	'05.03.08	DATE	'05.03.09		
DRAWING NO.	EDC3-304055-01	PART NO.	DF30CJ-***DP-0.4V(82)						
SCALE	5 : 1	CODE NO.	CL684-***-82						
UNITS	mm								

TO	