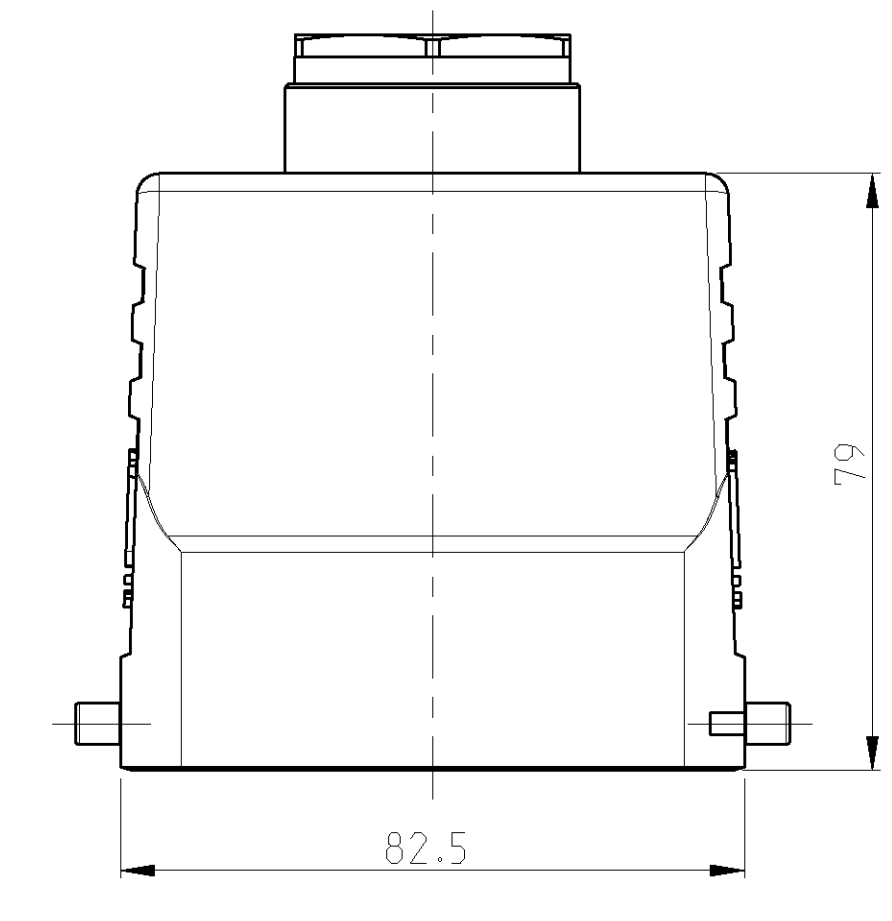
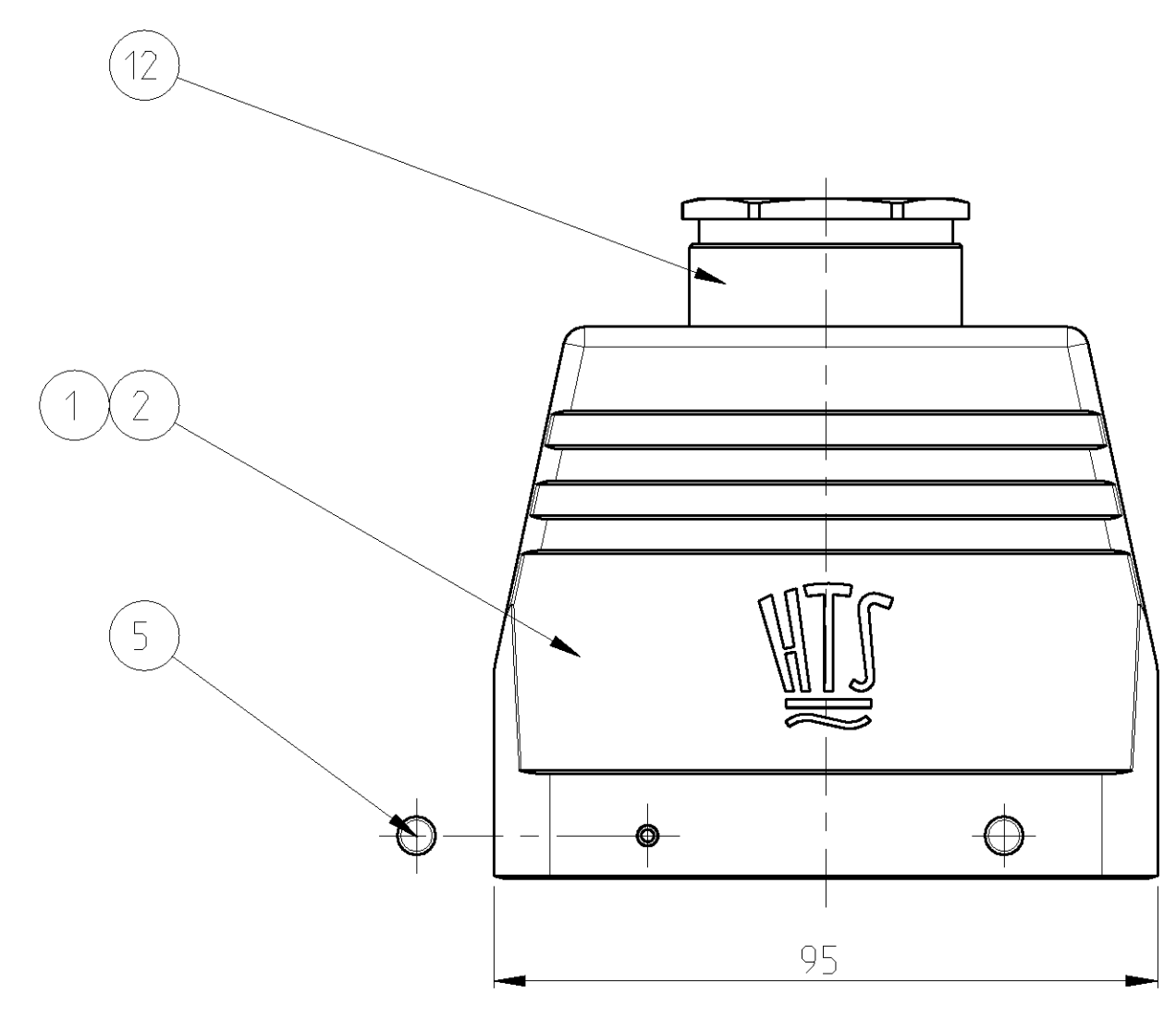
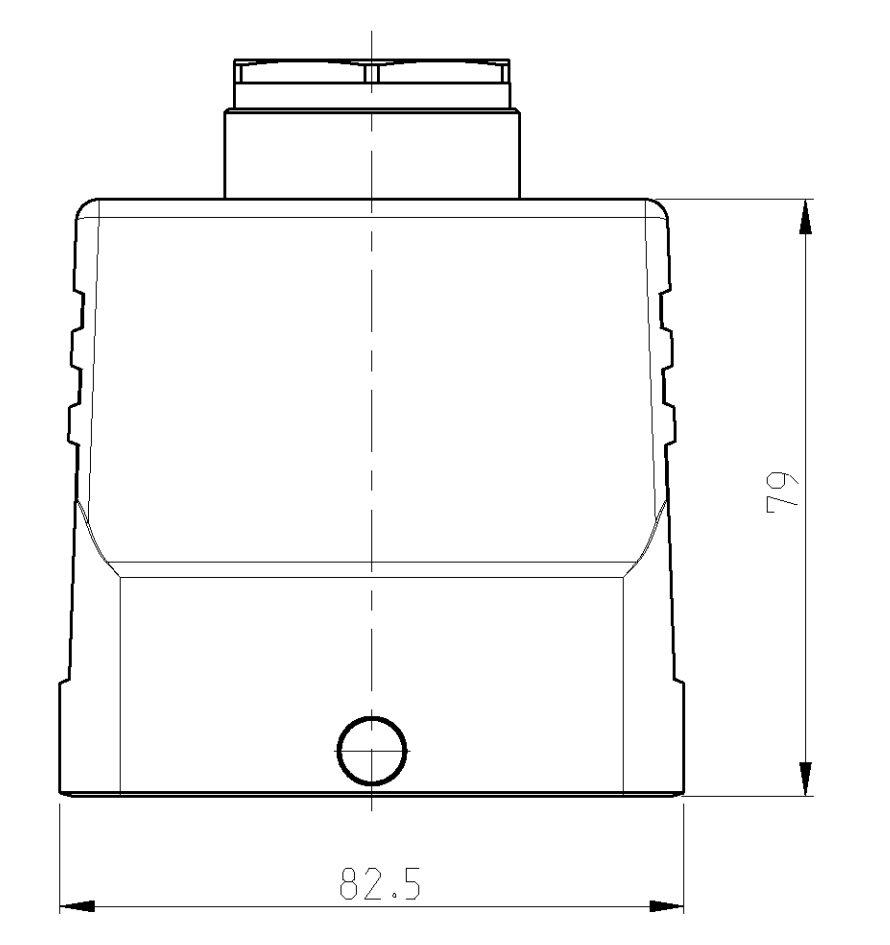
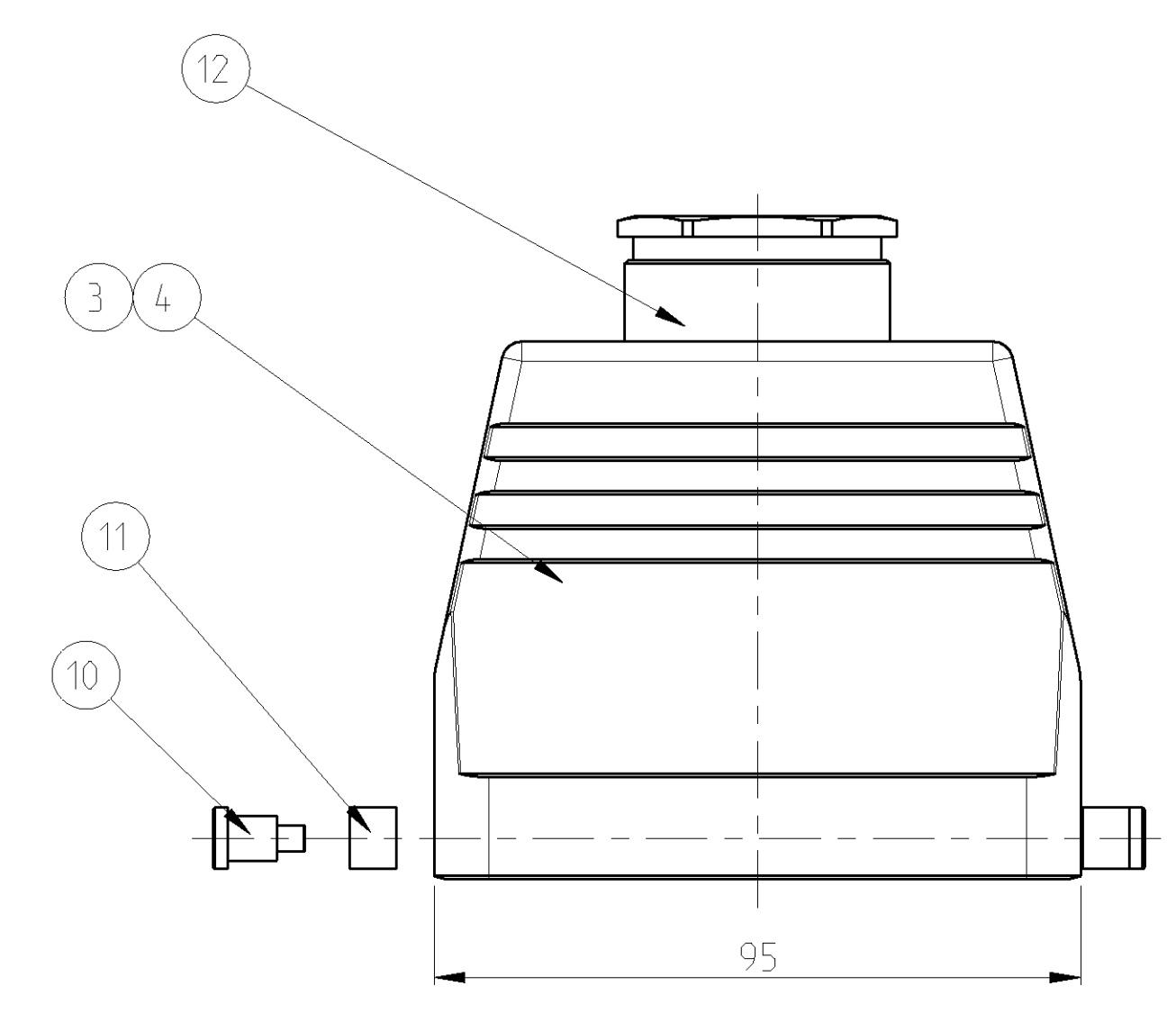
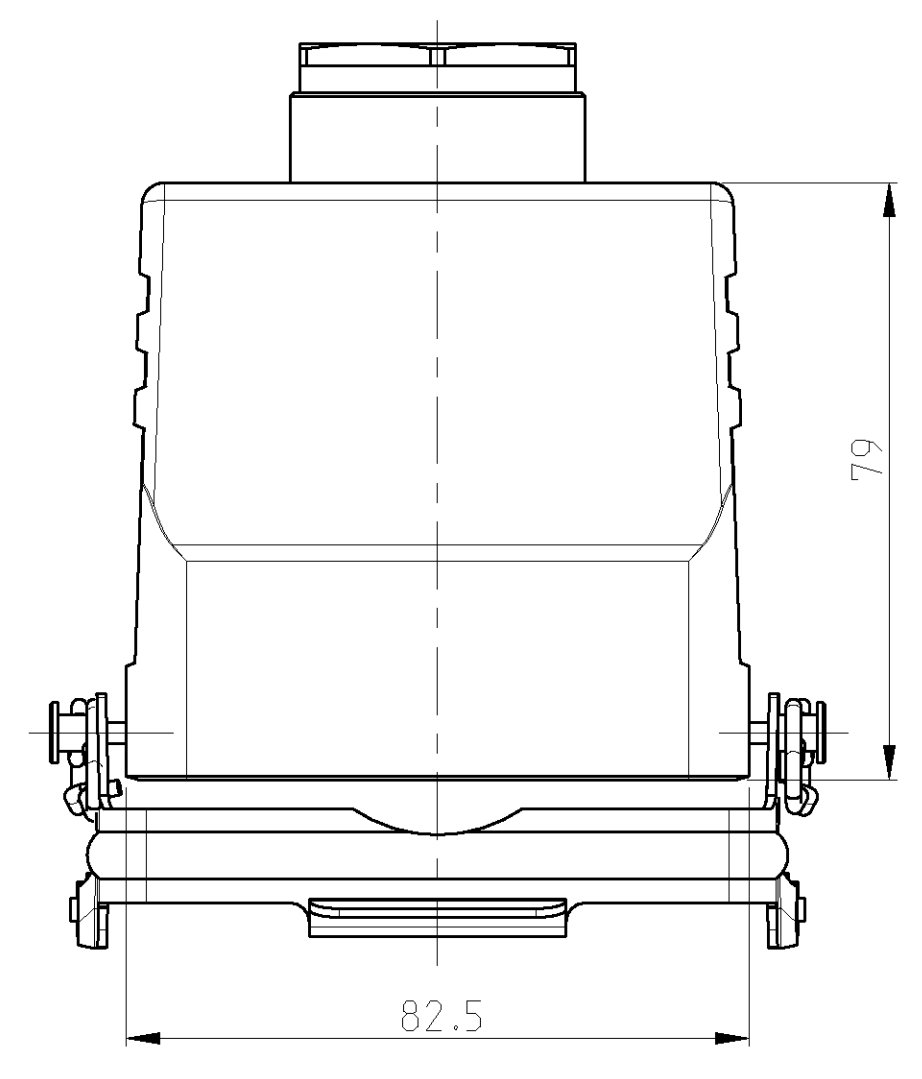
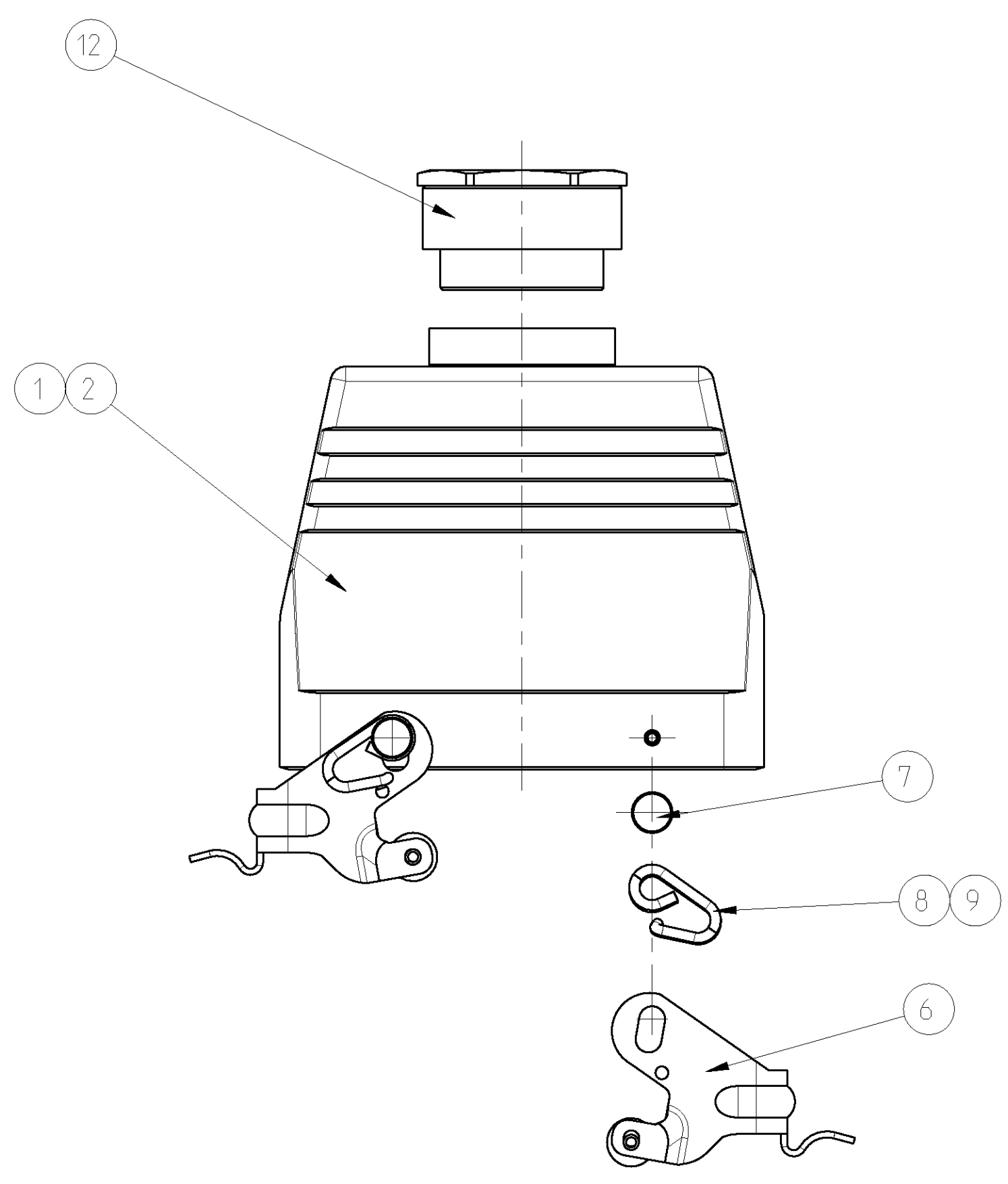


LOC	DIST	REV	DATE	BY	CHK	APPV
A1	-	A3	11MAY2009	SR	AR	
		A4	28NOV09	KK	AEG	



NOTES

- PART SHALL BE FREE AND CLEAN OF BURRS AND OTHER FOREIGN MATERIAL
- PACKAGING: QUANTITY 3 PIECES
- VARNISHING INSIDE HOUSING NOT REQUIRED

QTY	QTY	QTY	QTY	QTY	QTY	DESCRIPTION	MATERIAL	SURFACE	COLORE	ITEM	NOTES
1	1	1	1	1	1	CABLE FITTING	BRASS	NICKEL PLATED	BLUE	12	
2	2					SLIDE SPOOL	STEEL	ZINC PLATED	BLUE	11	
2	2					CLIP BOLT	STEEL	ZINC PLATED	BLUE	10	
	2	2				CLIP SPRING RIGHT	STEEL	ZINC PLATED	BLUE	9	
	2	2				CLIP SPRING LEFT	STEEL	ZINC PLATED	BLUE	8	
	4	4				CLIP POSITIONER	STEEL	ZINC PLATED	BLUE	7	
	2	2				SLIDE CLIP	STEEL	ZINC PLATED	BLUE	6	
			4	4		CLIP BOLT	STEEL	ZINC PLATED	BLUE	5	
1						HOOD	ALUMINIUM		GREY	4	
1	1					HOOD	ALUMINIUM		GREY	3	
	1	1				HOOD	ALUMINIUM		GREY	2	
		1	1			HOOD	ALUMINIUM		GREY	1	
0-2	1-7	0-3	1-1	0-1	1-6	DESCRIPTION	MATERIAL	SURFACE	COLORE	ITEM	NOTES
						HB.32.STO.1.29					
						HB.32.STO.1.29					
						HB.32.STO-VS.1.29					
						HB.32.STO-VS.1.29					
						HB.32.STO-GR.1.29					
						HB.32.STO-GR.1.29					

DIMENSIONS: mm 		TOLERANCES UNLESS OTHERWISE SPECIFIED: 9 PLC ± 1 PLC ± 2 PLC ± 3 PLC ± 4 PLC ± ANGLES ± FINISH		DWN R.SCHNEIDER 11MAY2009 CHK T.SCHNURPEIL 11MAY2009 APVD - NAME HOOD PRODUCT SPEC HB.32.STO.1.29 APPLICATION SPEC - WEIGHT - CUSTOMER DRAW ING		Tyco Electronics AMP GmbH 53757 Sankt Augustin (Germany) SIZE CAGE CODE DRAWING NO RESTRICTED TO A1 00779 C=1102349 1 OF 1 REV A4	
--------------------	--	---	--	--	--	--	--