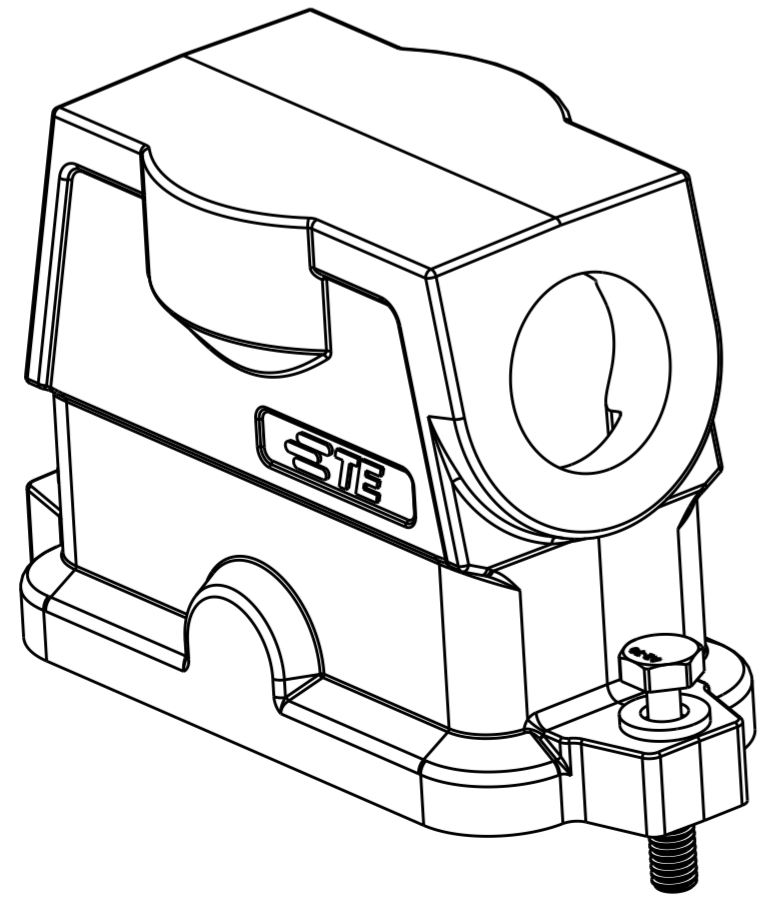
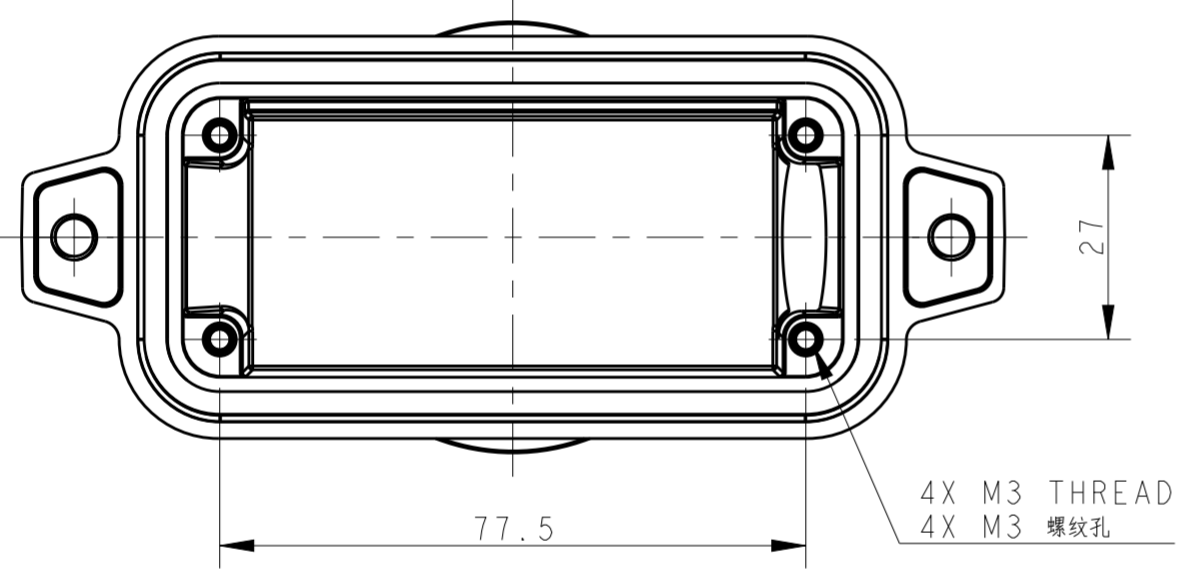
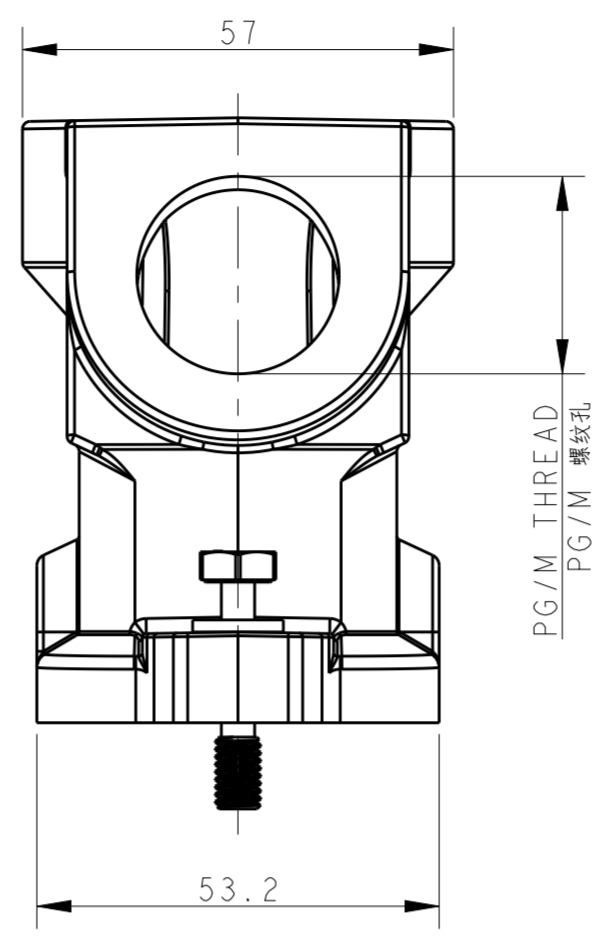
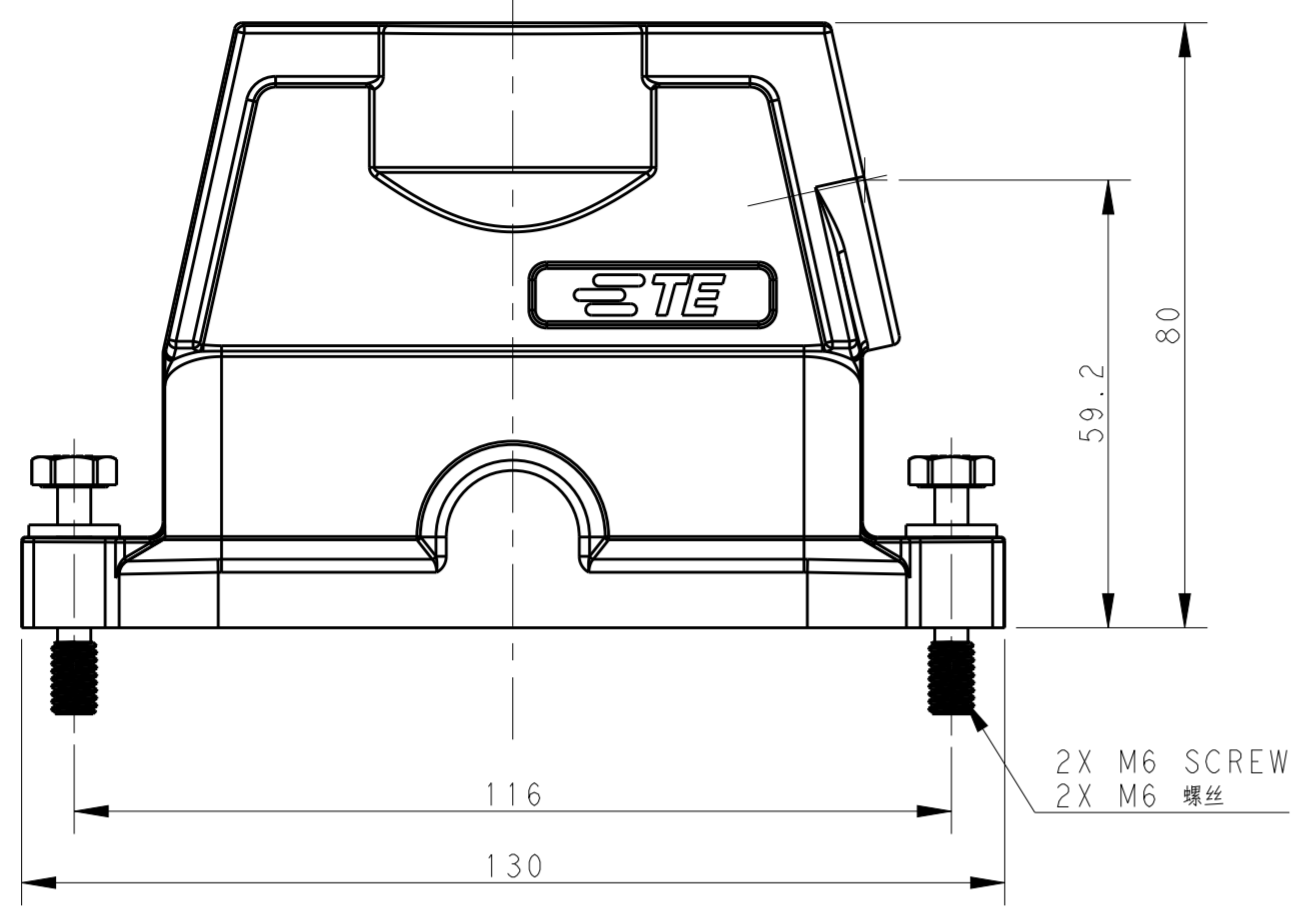


THIS DRAWING IS UNPUBLISHED. RELEASED FOR PUBLICATION 20
 © COPYRIGHT 20 BY - ALL RIGHTS RESERVED.

REVISIONS				
P	LTR	DESCRIPTION	DATE	APVD
A		INITIAL RELEASE	08OCT2016	DW CW



NOTES:
 1. TECHNICAL CHARACTERISTICS:
 HOOD MATERIAL: DIE CAST ALUMINIUM ALLOY
 SURFACE: SEE TABLE
 DEGREE OF PROTECTION: IP68 (MATED)

注释:
 1. 技术参数:
 壳体材料: 铝合金
 表面处理: 见表格
 防护等级: IP68 (配合)

T1912161140-009	H16BPR-TSHC-M40-EMC-C	H16BPR HOOD,CENTER LOCKING,SIDE ENTRY M40,POWDER COATED,SILVER WHITE H16BPR中部锁定侧出上壳M40 银白色	M40
T1912161132-009	H16BPR-TSHC-M32-EMC-C	H16BPR HOOD,CENTER LOCKING,SIDE ENTRY M32,POWDER COATED,SILVER WHITE H16BPR中部锁定侧出上壳M32 银白色	M32
T1912161129-009	H16BPR-TSHC-PG29-EMC-C	H16BPR HOOD,CENTER LOCKING,SIDE ENTRY PG29,POWDER COATED,SILVER WHITE H16BPR中部锁定侧出上壳PG29 银白色	PG29
T1912161125-009	H16BPR-TSHC-M25-EMC-C	H16BPR HOOD,CENTER LOCKING,SIDE ENTRY M25,POWDER COATED,SILVER WHITE H16BPR中部锁定侧出上壳M25 银白色	M25
T1912161121-009	H16BPR-TSHC-PG21-EMC-C	H16BPR HOOD,CENTER LOCKING,SIDE ENTRY PG21,POWDER COATED,SILVER WHITE H16BPR中部锁定侧出上壳PG21 银白色	PG21
T1912160140-009	H16BPR-TSHC-M40-EMC-C	H16BPR HOOD,CENTER LOCKING,SIDE ENTRY M40,POWDER COATED,BLACK H16BPR中部锁定侧出上壳M40 黑色	M40
T1912160132-009	H16BPR-TSHC-M32-EMC-C	H16BPR HOOD,CENTER LOCKING,SIDE ENTRY M32,POWDER COATED,BLACK H16BPR中部锁定侧出上壳M32 黑色	M32
T1912160129-009	H16BPR-TSHC-PG29-EMC-C	H16BPR HOOD,CENTER LOCKING,SIDE ENTRY PG29,POWDER COATED,BLACK H16BPR中部锁定侧出上壳PG29 黑色	PG29
T1912160125-009	H16BPR-TSHC-M25-EMC-C	H16BPR HOOD,CENTER LOCKING,SIDE ENTRY M25,POWDER COATED,BLACK H16BPR中部锁定侧出上壳M25 黑色	M25
T1912160121-009	H16BPR-TSHC-PG21-EMC-C	H16BPR HOOD,CENTER LOCKING,SIDE ENTRY PG21,POWDER COATED,BLACK H16BPR中部锁定侧出上壳PG21 黑色	PG21
PART NUMBER 料号	DESCRIPTION 描述		PG/M THREAD PG/M 螺纹

THIS DRAWING IS A CONTROLLED DOCUMENT.		DWN 08OCT2016 DAVID WANG	TE Connectivity															
		CHK 08OCT2016 CHRIS WANG																
		APVD 08OCT2016 XIANG XU	NAME H16BPR-TSHC-PG/M-EMC-C															
DIMENSIONS: mm		TOLERANCES UNLESS OTHERWISE SPECIFIED:	PRODUCT SPEC 108-137191															
<table border="1"> <tr><td>0 PLC</td><td>±</td></tr> <tr><td>1 PLC</td><td>±</td></tr> <tr><td>2 PLC</td><td>±</td></tr> <tr><td>3 PLC</td><td>±</td></tr> <tr><td>4 PLC</td><td>±</td></tr> <tr><td>ANGLES</td><td>±</td></tr> <tr><td>FINISH</td><td>±</td></tr> </table>		0 PLC	±	1 PLC	±	2 PLC	±	3 PLC	±	4 PLC	±	ANGLES	±	FINISH	±	APPLICATION SPEC 114-137191	SCALE A2	
0 PLC	±																	
1 PLC	±																	
2 PLC	±																	
3 PLC	±																	
4 PLC	±																	
ANGLES	±																	
FINISH	±																	
MATERIAL		WEIGHT	RESTRICTED TO															
		Customer Drawing	SCALE 1:1 SHEET 1 OF 1 REV A															