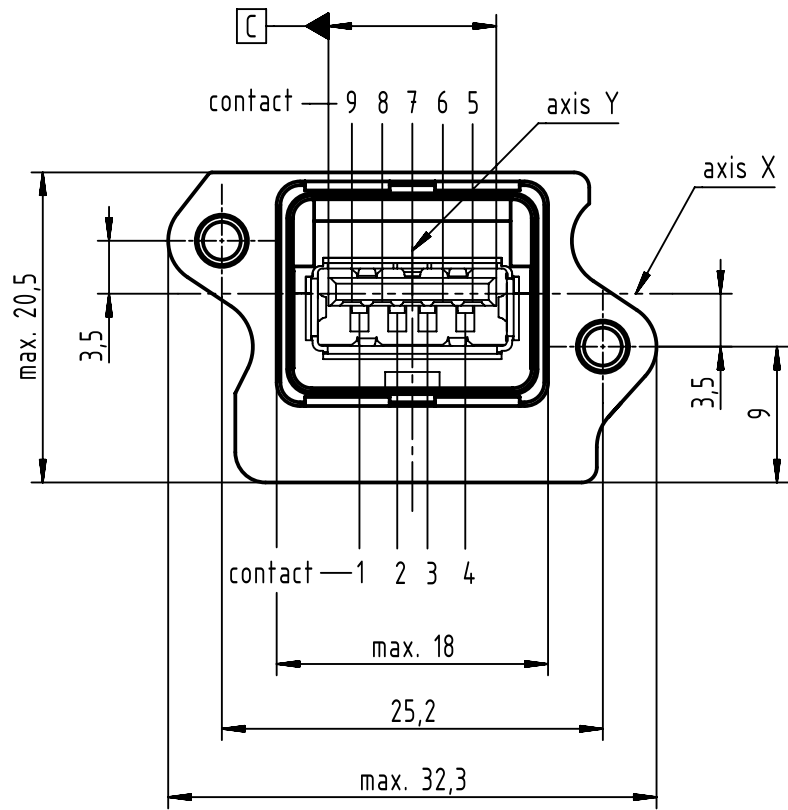
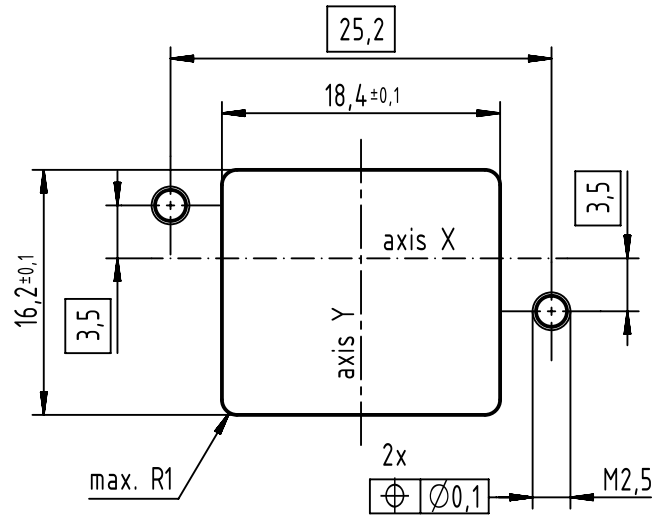


# USB 3.0 type A



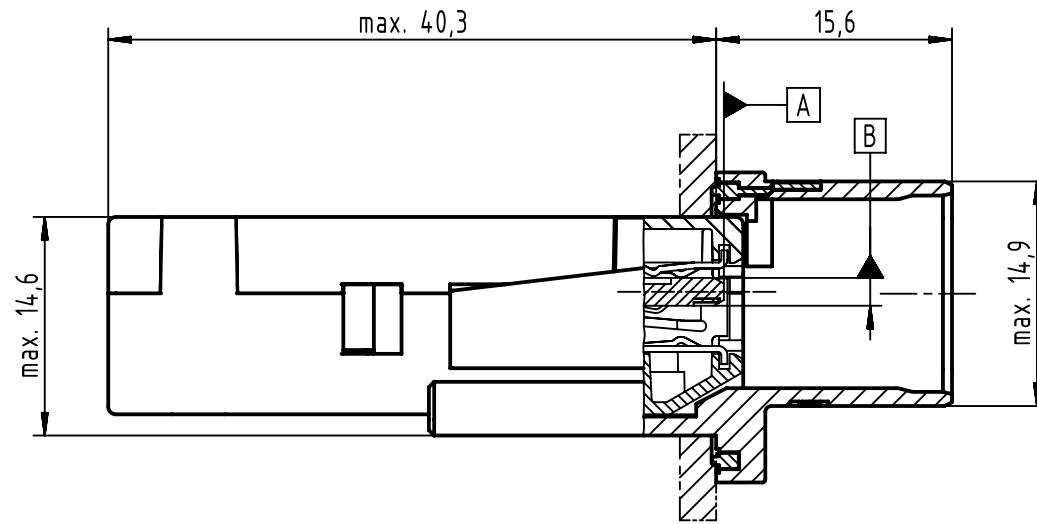
## panel cutting



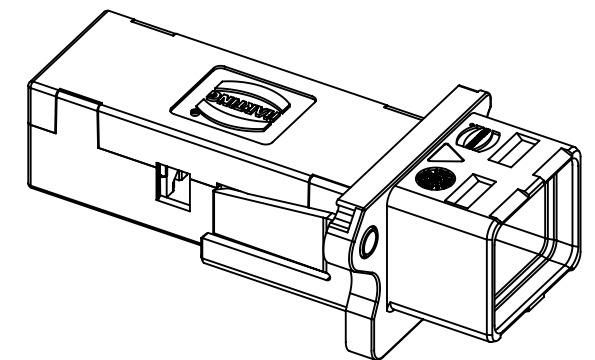
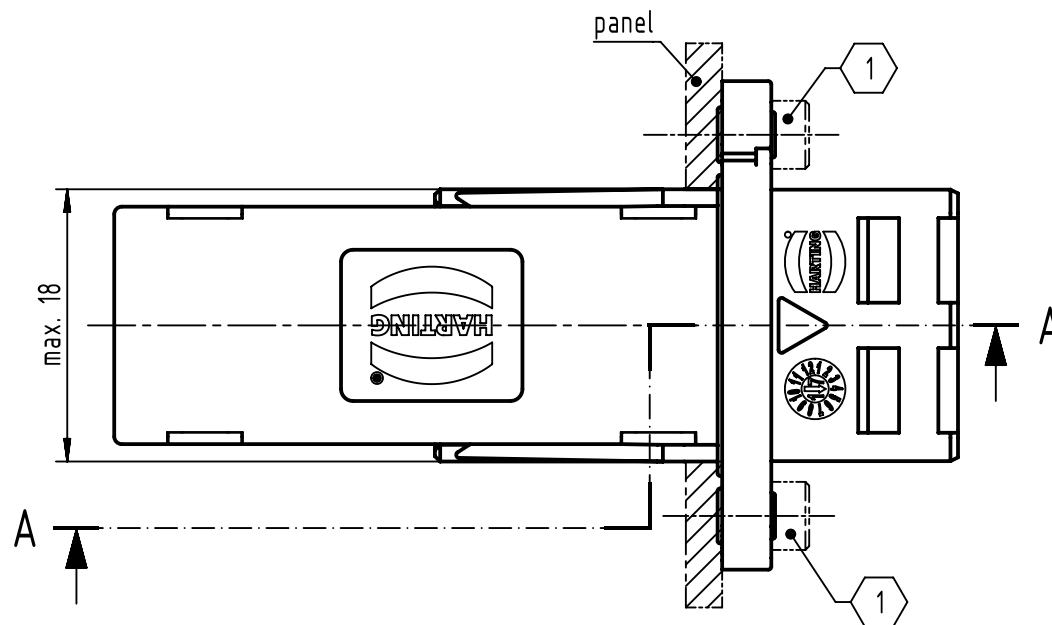
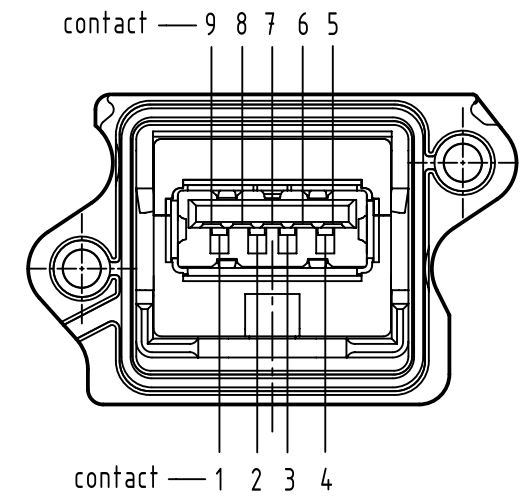
connector pitch on panel:  
axis X = 27mm and axis Y = 21mm

panel thickness = max. 3.5mm  
no limit with pre-assembled  
USB Adapter

## A-A



# USB 3.0 type A



## loading-plan

V Bus	1	1
D-	2	2
D+	3	3
GND	4	4
StdA_SSRX-	5	5
StdA_SSRX+	6	6
GND_DRAIN	7	7
StdA_SSTX-	8	8
StdA_SSTX+	9	9
Shield	Shell	Shell

1 2x M2.5; screws acc. to ISO 4762;  
please order separately; bolting torque 0.3Nm - 0.5Nm

references A, B and C acc. to USB specification 3.0 , [www.usb.org](http://www.usb.org)

further information see: DS 09456230202

	All Dimensions in mm Original Size DIN A3		Scale 2:1	Free size tol.		Ref.	
	All rights reserved Department EC PD - DE		Created by HASELOH	Inspected by LUECKEMEIERM	Standardisation HOFFMANN	Date 2017-04-04	State Final Release
HARTING Electronics GmbH D-32339 Espelkamp		Title HARTING PushPull V4 Compact Housing with USB 3.0 type A				Doc-Key / ECM-Nr. 100671794/UGD/001/B 500000117442	
		Type TB	Number 09452451930		Rev. B	Page 1/1	