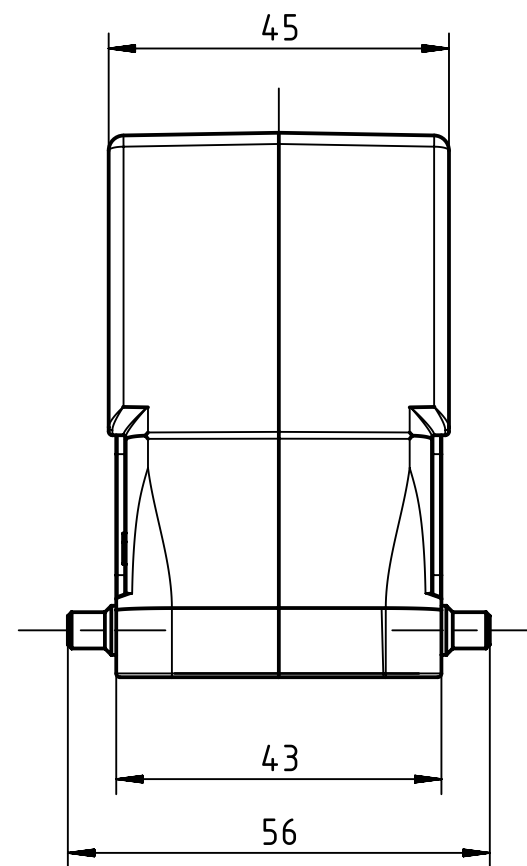
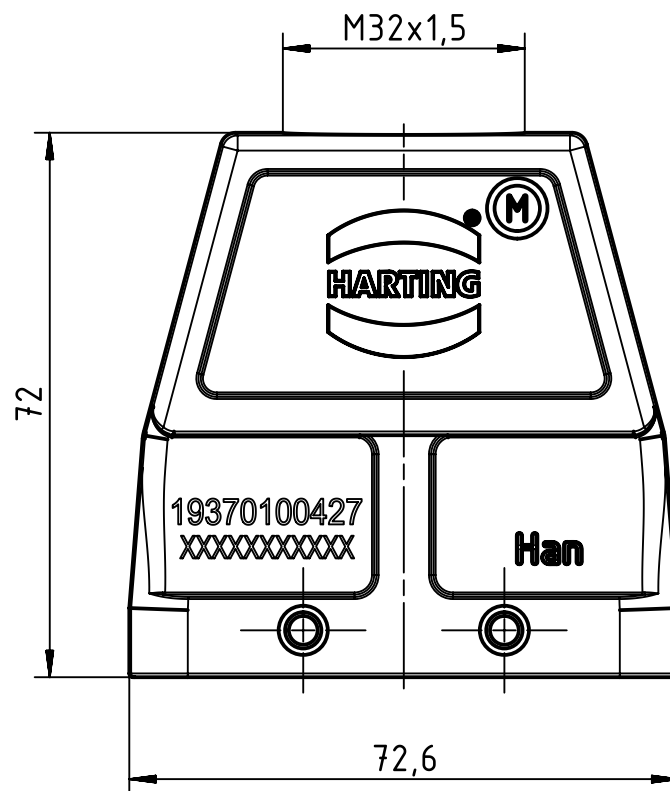
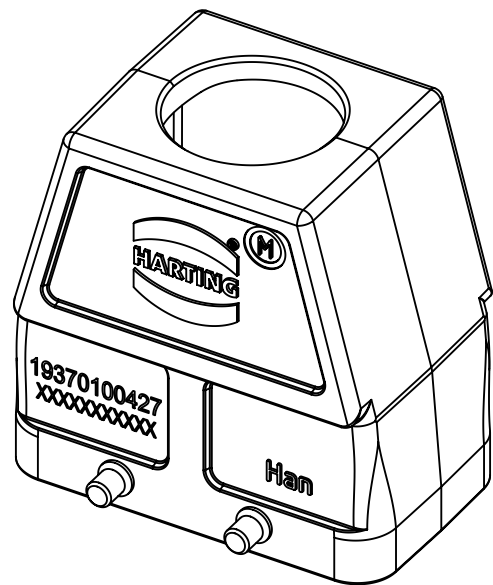
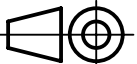



1 2 3 4 5 6

A
B
C
D



 All Dimensions in mm Original Size DIN A4	Scale	Free size tol.			Ref.
	1:1				Sub.
 All rights reserved Department EL PD - DE	Created by	Inspected by	Standardisation	Date	State
	SCHULZI	BERGHORN	TIEMANNA	2014-07-21	Final Release
HARTING Electric GmbH & Co. KG D-32339 Espelkamp	Title				Doc-Key / ECM-Nr. 100228951/UGD/002/B 500000061817
	Han 10M hood top entry HC 4 pegs M32				
Type		Number		Rev.	Page
TB		19 37 010 0427		B	1/1