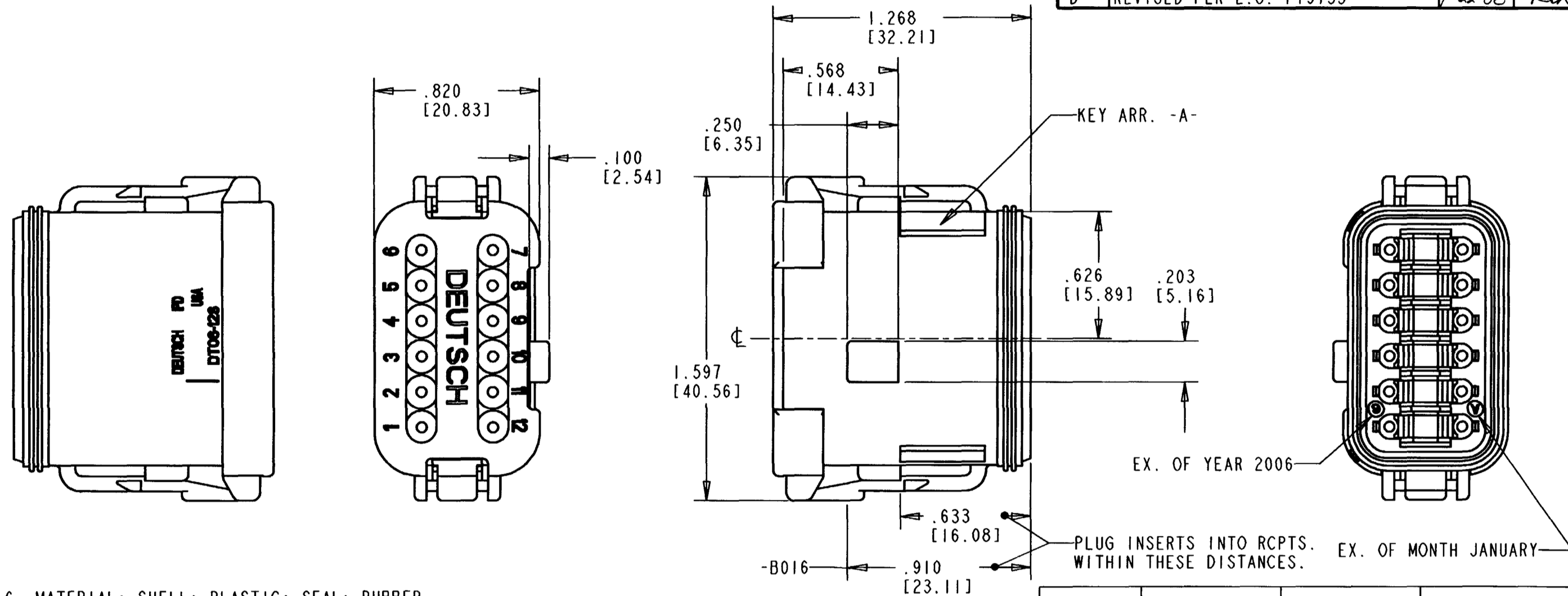


DATE CODE LEGEND
 YEAR IS REPRESENTED BY LAST NUMERICAL DIGIT.
 MONTH IS REPRESENTED BY SEQUENTIAL ALPHA CHARACTERS.

REV D DT06-12SA-EP06

REVISIONS			
SYM	DESCRIPTION	DATE	APPROVED
A	REVISED PER E.O. P15115	8/15/96	R.D.R.
B	REVISED PER E.O. P15409	9/16/97	R.D.R.
C	REVISED PER E.O. P15827	1/22/99	R.D.R.
D	REVISED PER E.O. P19733	1-22-08	RDR



6. MATERIAL: SHELL: PLASTIC; SEAL: RUBBER
5. W12-P012 WEDGE LOCK SOLD SEPARATELY.
4. THIS PLUG MATES WITH DT04-12PA-**** RECEPTACLE. (**** = ALL MODIFICATIONS) CONSULT FACTORY FOR ALL MODIFICATIONS.
3. FOR CONTACT AND WIRE PERFORMANCE AND APPLICATION CHARACTERISTICS, SEE ENVELOPE DRAWINGS 0425-017-0000 AND 0425-015-0000.
2. DIMENSION TOLERANCE IS $\pm .025$ [.64], UNLESS OTHERWISE SPECIFIED.
1. DIMENSIONS ARE IN INCHES [MILLIMETERS].

NOTES:

CONTACT SIZE	MIN. INSUL. O.D.	MAX. INSUL. O.D.	WIRE RANGE
16	.088 [2.23]	.145 [3.68]	14-18 AWG [2.0-0.75 mm ²]

SIGNATURE & DATE	
DR	S. THEIS AUG/27/97
CHK	[Signature] 1/22/05
PE	[Signature] 1/16/08
APPD	[Signature] 1-21-08
SCALE	NONE WT

12 WAY PLUG
 -EP06 MOD
 KEY ARR. -A-
 COLOR: GREY
 DT SERIES

ENVELOPE

EP	MATL. CODE
3850 INDUSTRIAL AVE. HEMET, CA 92545	
DEUTSCH INDUSTRIAL	
B	DT06-12SA-EP06
DWG SIZE	CODE 11139 SHEET OF