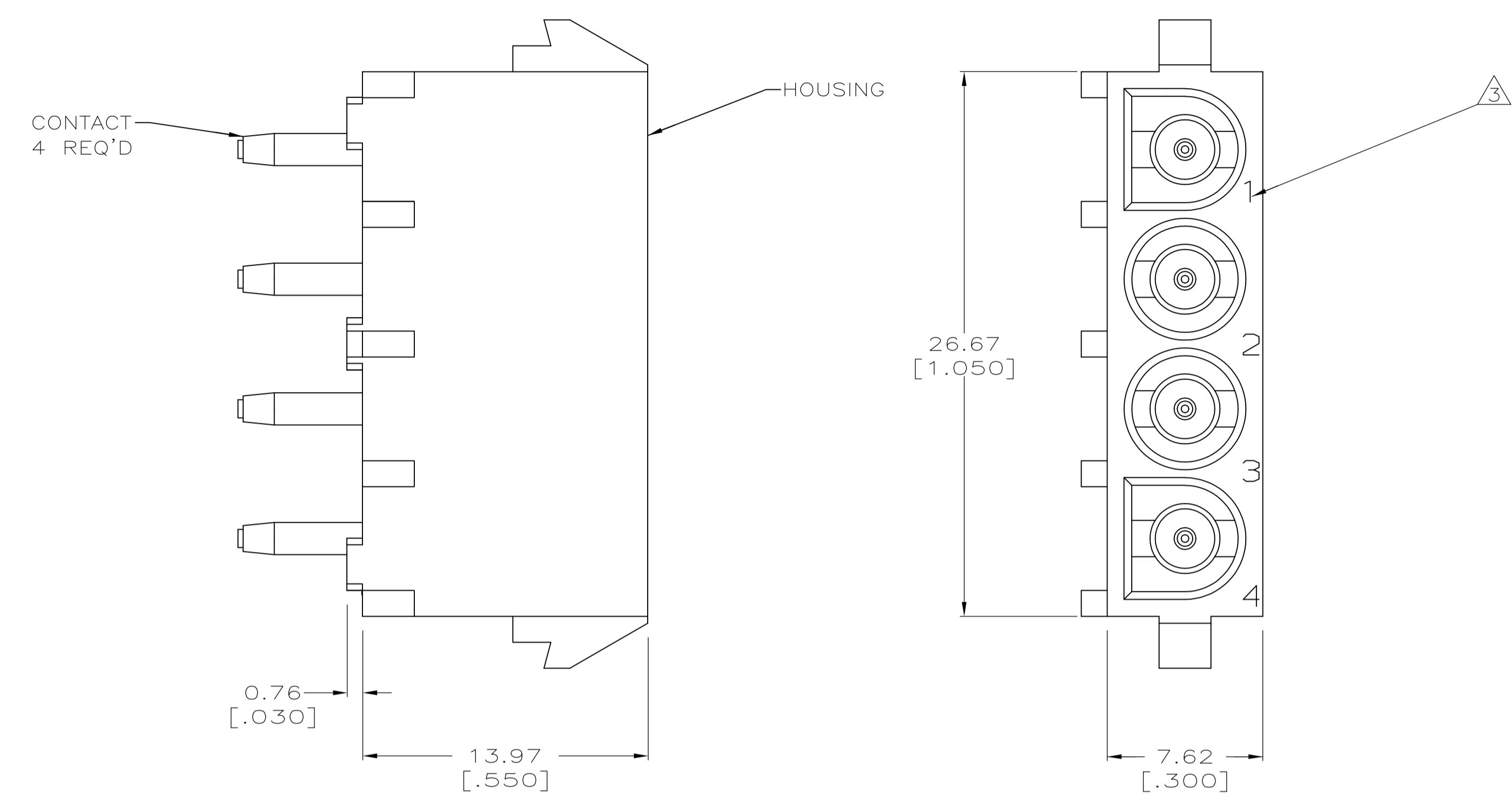
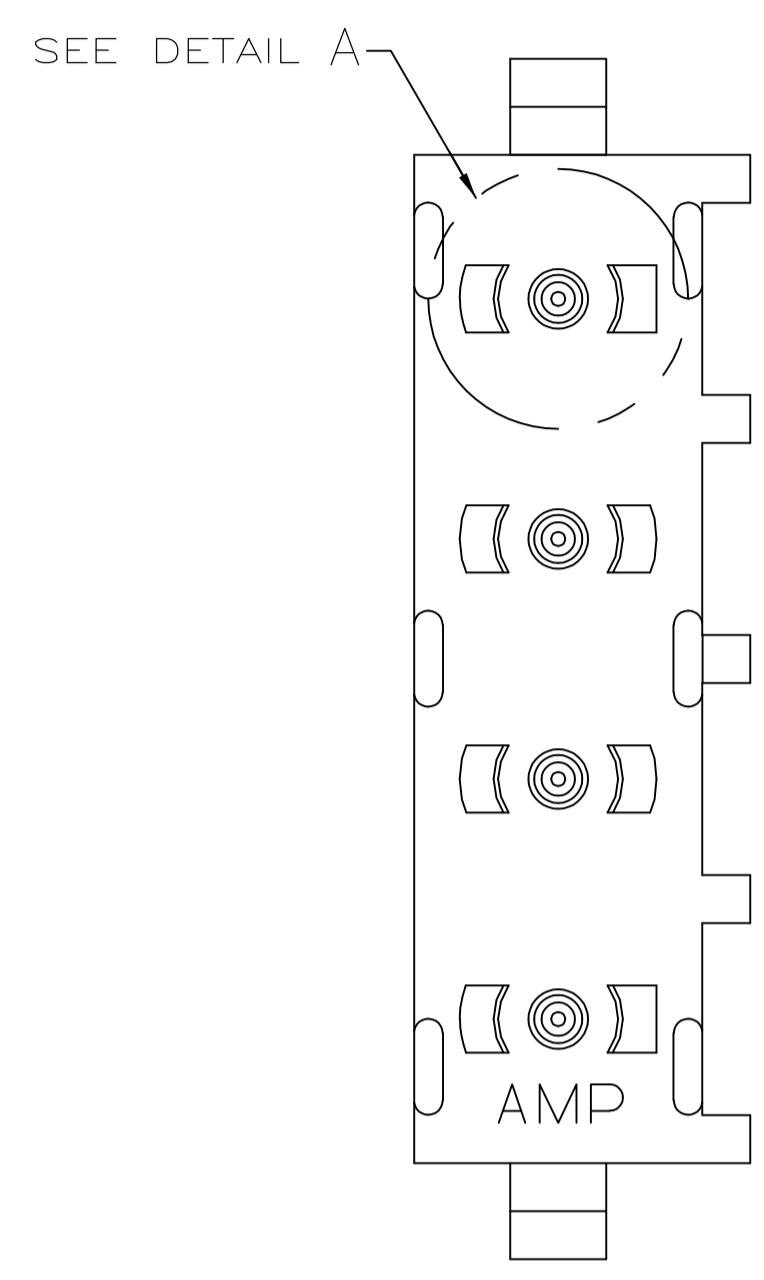
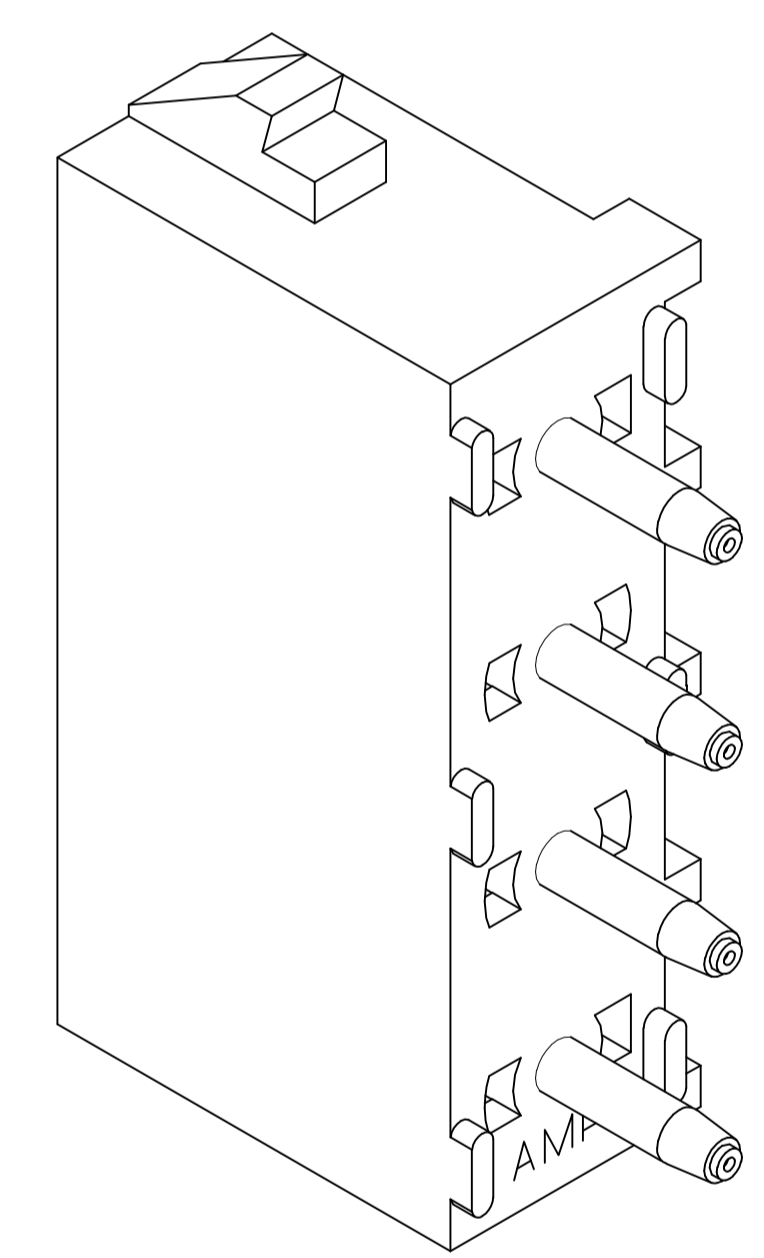
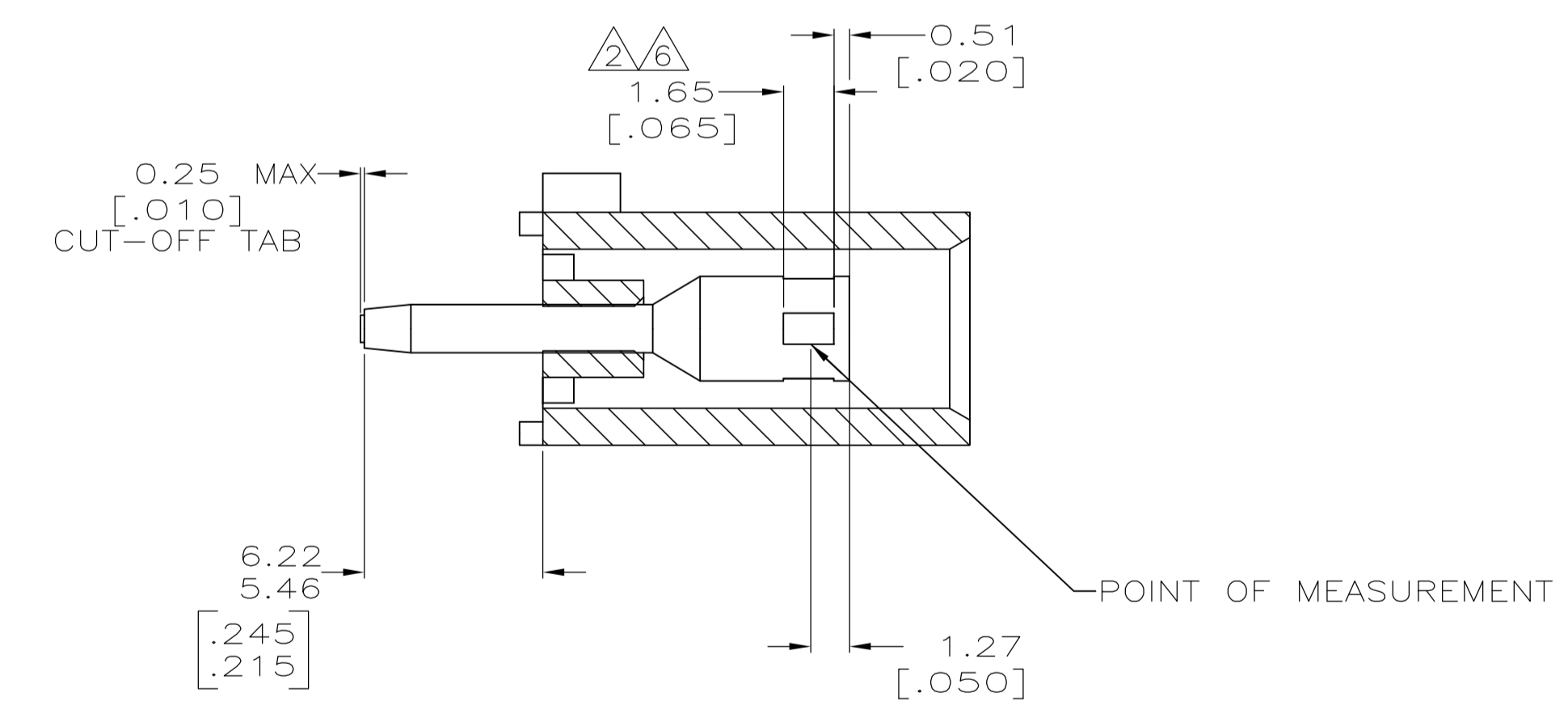


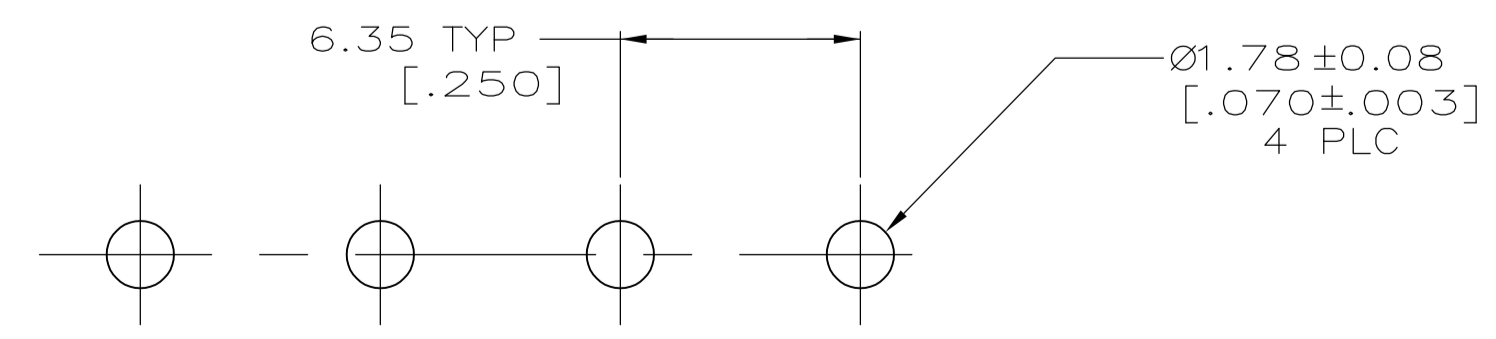
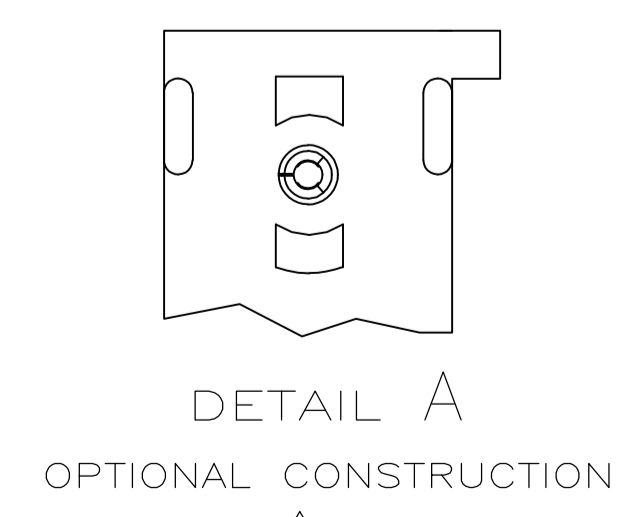
| LOC |    | DIST                        |         | REVISIONS |     |       |  |
|-----|----|-----------------------------|---------|-----------|-----|-------|--|
| CM  | 00 | REV                         | DATE    | BY        | CHK | APP'D |  |
| J   |    | REVISED PER EC 0G3B-1094-04 | 18FEB05 | KW        | SR  |       |  |
| J1  |    | REV PER ECO-09-021826       | 08SEP09 | KK        | AEG |       |  |



- PARTS COMPLY TO AMP SOLDERABILITY SPECIFICATION 109-11-3.
- CONTACT IS PLATED OVERALL WITH 0.00127 [.000050] NICKEL, THEN 0.00076 [.000030] GOLD OVER CONTACT LENGTH INDICATED AND MATTE TIN LEAD ON SOLDER TAIL END.
- CIRCUIT IDENTIFICATION CHARACTERS ARE ADJACENT TO THE INDICATED CAVITIES, BUT LOCATION AND ORIENTATION MAY DIFFER FROM PRINT.
- DIMENSIONS IN BRACKETS ARE IN INCHES.
- DRAIN HOLES LOCATED AS SHOWN. OPTIONAL CONSTRUCTION- ALL DRAIN HOLES LOCATED 90° AS SHOWN IN DETAIL A.
- CONTACT IS PLATED OVERALL WITH 0.00127 [.000050] NICKEL, THEN 0.00076 [.000030] GOLD OVER CONTACT LENGTH INDICATED AND MATTE TIN ON SOLDER TAIL END.
- OBsolete PARTS: OBSOLETE CIS STREAMLINING PER D.RENAUD/D.SINISI



3-DIMENSIONAL MODEL NTS



RECOMMENDED MOUNTING HOLE PATTERN FOR 3.18 [.125] THICK P.C. BOARD

|          |                             |                       |             |
|----------|-----------------------------|-----------------------|-------------|
| OBsolete | PHOSPHOR BRONZE, GOLD       | NYLON,UL94V-2,NATURAL | -350988-5-  |
| OBsolete | PHOSPHOR BRONZE, PRE-TIN    | NYLON,UL94V-2,NATURAL | 350988-4    |
| OBsolete | PHOSPHOR BRONZE, GOLD       | NYLON,UL94V-2,NATURAL | -350988-3-  |
|          | CONTACT MATERIAL AND FINISH | HOUSING MATERIAL      | PART NUMBER |



THIS DRAWING IS A CONTROLLED DOCUMENT.

|                         |  |                   |   |
|-------------------------|--|-------------------|---|
| DIMENSIONS: mm [INCHES] | TOLERANCES UNLESS OTHERWISE SPECIFIED: | DIN 9137 10-05-98 | Tyco Electronics Corporation Greensboro, NC 27409 |
| 0 PLC ± -               | 1 PLC ± -                              | 10-05-98          |   |
| 2 PLC ± 0.13 [.005]     | 3 PLC ± -                              | 10-05-98          |   |
| 4 PLC ± -               | ANGLES ± ± 0±30°                       |                   |   |

NAME: SOCKET HEADER ASSEMBLY, 4 CIRCUIT UNIVERSAL MATE-N-LOK™

SIZE: A1 CAGE CODE: 00779 DRAWING NO: 350988

WEIGHT: -

CUSTOMER DRAWING SCALE: 5:1 SHEET: 1 OF 1 REV: J1