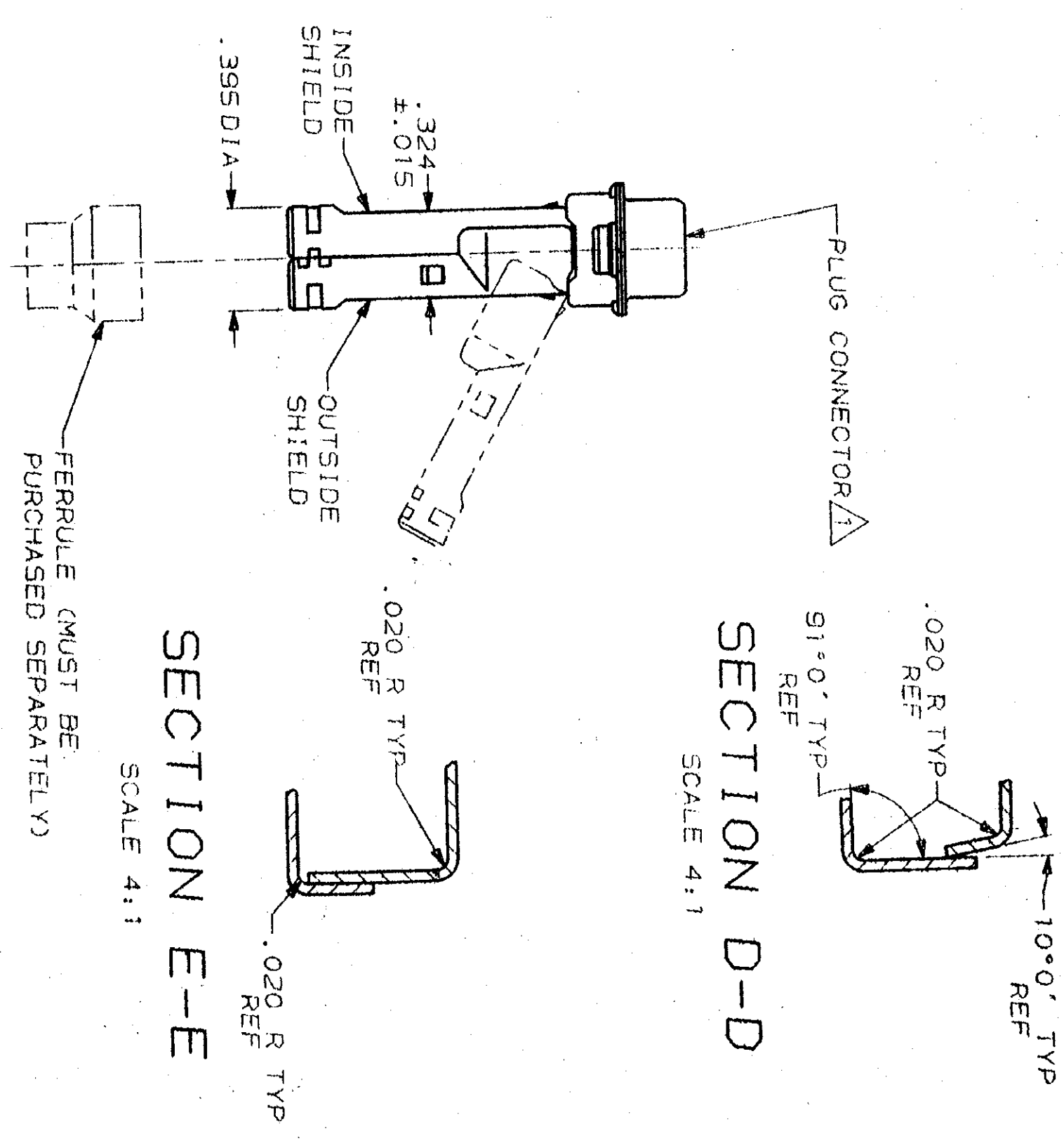
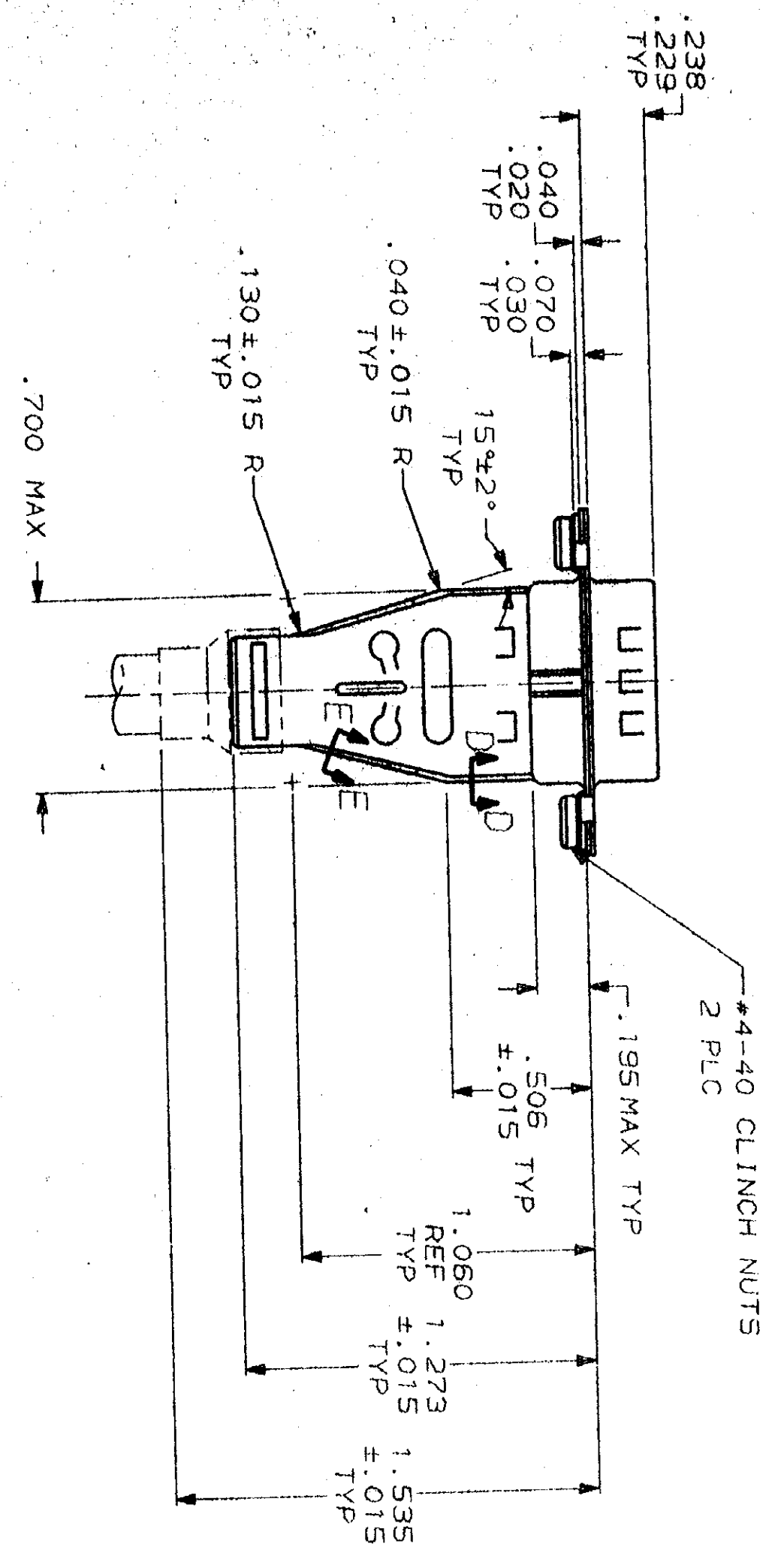
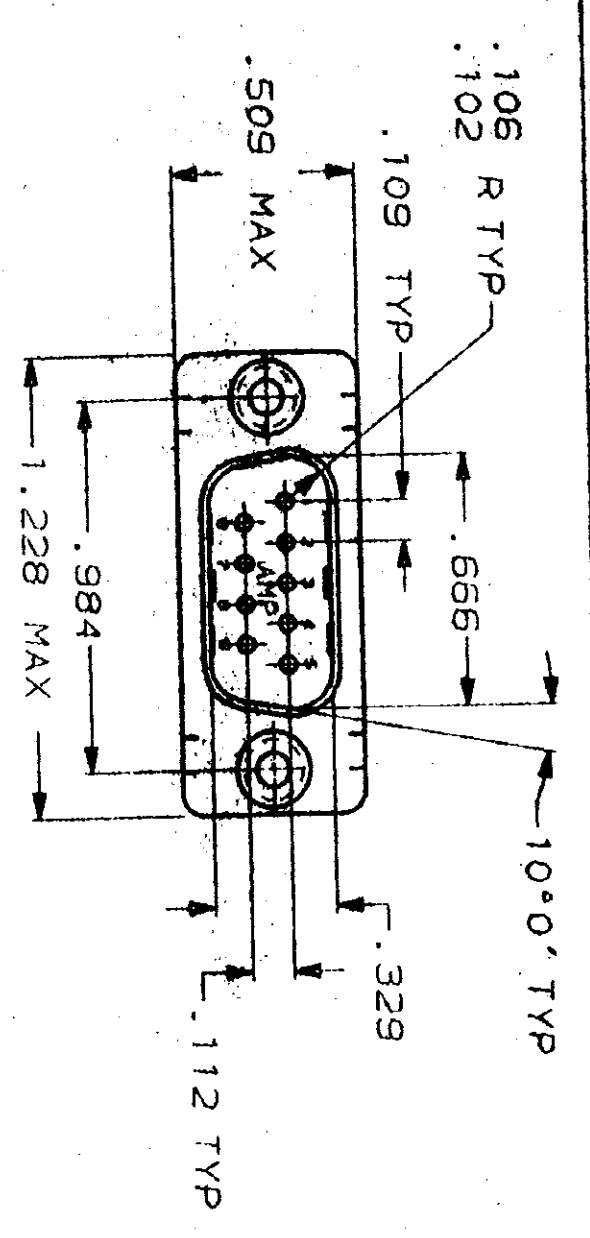


REV	DATE	APPD	DESCRIPTION
2	8-8-90	YMS	REV PER ECN B05049
1			



1. PLUG ACCEPTS SIZE 20 PIN CONTACTS (CONTACTS MUST BE ORDERED SEPARATELY).
2. ALL PARTS SHIPPED UNASSEMBLED, EACH PART INDIVIDUALLY BULK PACKED.
3. FLAME RETARDANT, 94V-0 RATED, GLASS FILLED NYLON OR POLYESTER, BLACK.
4. TIN PLATED PER MIL-T-10727.
5. STEEL PER ASTM A109.

DO NOT SCALE PRINT. UNLESS SPECIFIED DIMENSIONS IN INCHES TOLERANCES ON:		DR 6-8-90 J GALLUCCI BG	
1. DIMENSIONS		CHK J. MCCLINTON 8-31-90	
2. PLG DEC #		APPD B. TAYLOR 9-4-90	
3. PLG DEC #		APPD J. ASSINI 9-4-90	
4. ANGLES		PRODUCT SPEC	
MATERIAL		NAME	
INSERT: 3		AMP INCORPORATED HOPKINTON, MA 01903, PA. 17105	
SHELLS & SHIELDS: 5		KIT, PLUG, SHIELDING HARDWARE, 9 POSN, SIZE 1, W/CLINCH NUTS, AMPLIMIT™ HDP-20	
FINISH		SIZE	SCALE
SHELLS & SHIELDS: 4		C 00779	2:1
APPLICATION SPEC		DRAWING NO	SHEET
WEIGHT		748526	1 OF 1

748526-1  
PART NUMBER

748526

CUSTOMER DRAWING