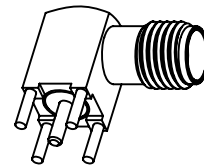
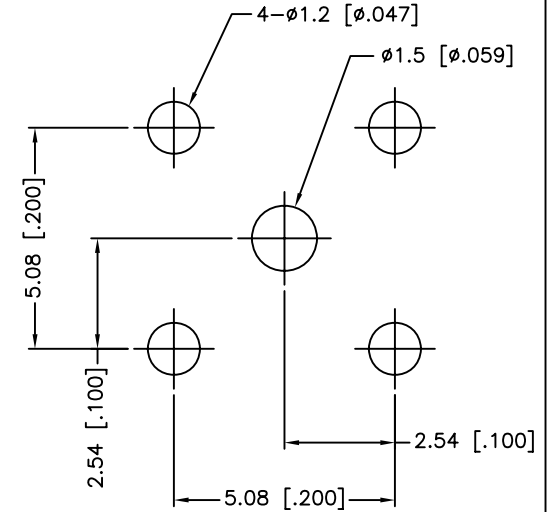
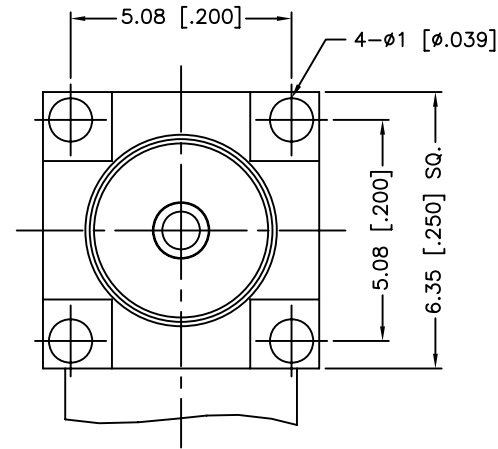
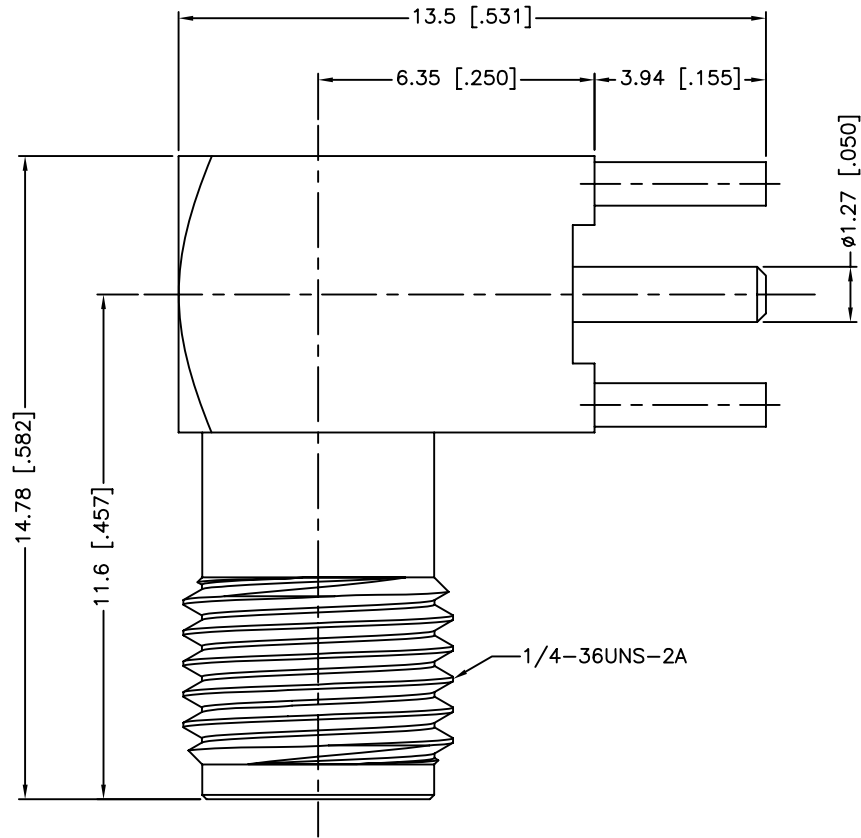


REV.	DATE	ECR NO.	DESCRIPTION
NC	01/27/00	XXXXXX	INITIAL RELEASE
A	04/30/03	XXXXXX	UPDATE DRAWING FORMAT
B	01/12/12	2271	ADD NOTES
C	08/20/12	2358	ADD NOTES



PCB MOUNTING HOLE

1. IMPEDANCE: 50 OHM
2. FREQUENCY RANGE: DC - 11 GHz
3. VSWR: 1.3 MAX.
4. DIELECTRIC WITHSTANDING VOLTAGE: 1000 VRMS, MIN.
5. DURABILITY: 500 CYCLES MIN.
6. TEMPERATURE RANGE: -65°C TO +165°C
7. SINGLE-PIECE BODY
8. SINGLE-PIECE CENTER CONTACT

UNLESS OTHERWISE SPECIFIED DIMENSIONS ARE IN MILLIMETERS. DIMENSIONS IN [] ARE IN INCHES AND FOR CUSTOMER REFERENCE ONLY.

UNLESS OTHERWISE SPECIFIED TOLERANCES FOR MILLIMETERS ARE:
0.5 - 8mm ± 0.20mm
8 - 30mm ± 0.40mm
30 - 120mm ± 0.50mm

UNLESS OTHERWISE SPECIFIED TOLERANCES FOR INCHES ARE:
.020 - .315 = ± 0.007"
.315 - 1.180 = ± 0.015"
1.180 - 4.724 = ± 0.020"

DO NOT SCALE DRAWING

APPROVALS	DATE
DRAWN M.ZHANG	08/20/12
CHECKED	
ISSUED	
SHEET 1 OF 1	
CAD FILE C:/CONNEX/132225.DWG	

Amphenol Connex

PART DESCRIPTION			
SMA R/A P.C. MOUNT JACK			
PART NO.			
132225			
DWG. NO.	REV.	SIZE	SCALE
132225.DWG	C	A	NA

QTY	FINISH	MATERIAL	DESCRIPTION
1	GOLD	ZINC DIECAST	BODY
1	NATURAL	PTFE	INSULATOR
1	GOLD	BER. COPPER	CONTACT PIN