

PRODUCT NUMBER	PITCH
H5xx30x200J0G	3.81 mm

Dimension

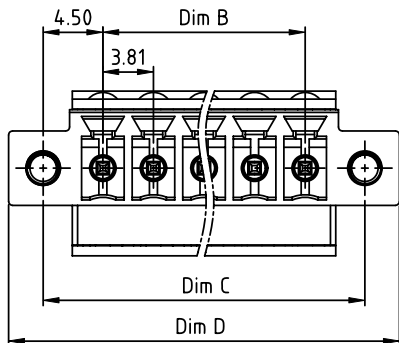
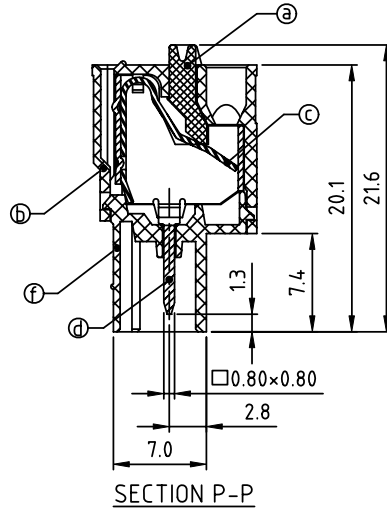
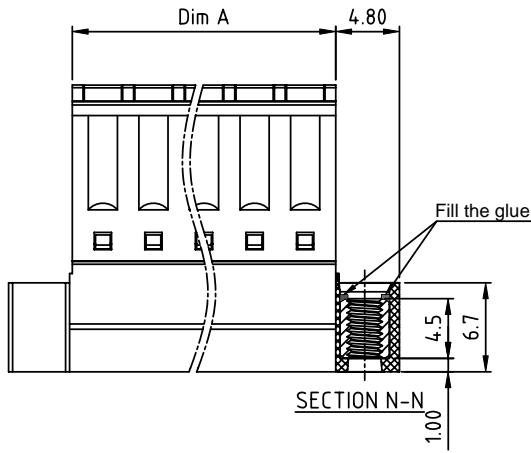
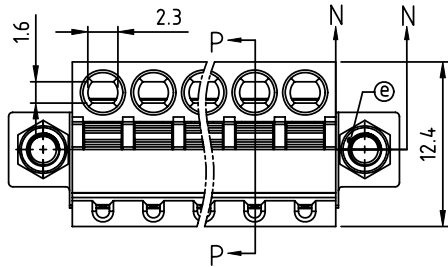
DIM A	$N \times 3.81 + 0.8$
DIM B	$(N-1) \times 3.81$
DIM C	$(N-1) \times 3.81 + 9.0$
DIM D	$N \times 3.81 + 10.4$

N=Number of poles

POLES	Dim A&Dim B	Dim C&Dim D
2p-6p	± 0.10	± 0.15
7p-12p	± 0.15	± 0.20
13p-18p	± 0.20	± 0.30
19p-24p	± 0.30	± 0.40

PART NO.: H5 xx 3 0 x 2 00J0 G

Solid block	Color	RoHS compliant
No. of poles	0 Black (RAL9005)	(lead<4%)
02 2 poles	2 Red (RAL3001/D)	In copper Alloy
03 3 poles	3 Orange(RAL2011/P)	
...	4 Yellow(RAL1018/A)	
24 24 poles	5 Green(RAL6018/T)	
	6 Blue (RAL5015/A)	
	8 Grey(RAL7035/D)	
	9 White(RAL1102)	
	C Green(RAL6018/U)	



Material:

- ItemⒶ Terminal lever: Thermoplastic (UL94V-0) Orange (RAL2001/P)
- ItemⒷ Top body: Thermoplastic (UL94V-0)
- ItemⒸ Spring clamp: Stainless steel
- ItemⒹ Male contact pin: Phbz.Tin plated
- ItemⒺ Flange nut: Brass M2.5
- ItemⒻ Bottom body: Thermoplastic (UL94V-0)

Electrical:

- Voltage rating: 300V
- Current rating: 4A
- Wire range:
- Solid wire(AWG): 16-28
- Stranded wire(AWG): 16-28
- Wire strip length: 9-10mm
- Withstanding Voltage: 1.6 KV
- Operating temperature: -40°C to +115°C
- Safety Approval: cULus

mat'l. code	surface ASME Y14.5	tolerance ASME Y14.5	projection	product family TERMINAL BLOCK
ltr	ecn	no	dr	date
				tolerances unless otherwise specified
				angles
				X.±0.5
				X.X±0.3
				X*±1*
				X.XX±0.1
				scale
				MM
				scale
				dr
				ENGR
				CHR
				APPD
				EVIN ZHONG 051614
				EVIN ZHONG 051614
				HANKE FENG 051614
				SHI JUN 051614
				FCI
				dwg no
				H5xx30x200J0G
				sheet 1 of 1
				size
				A4
				type
				CUSTOMER Drawing
sheet index	revision	A		
	sheet	1		