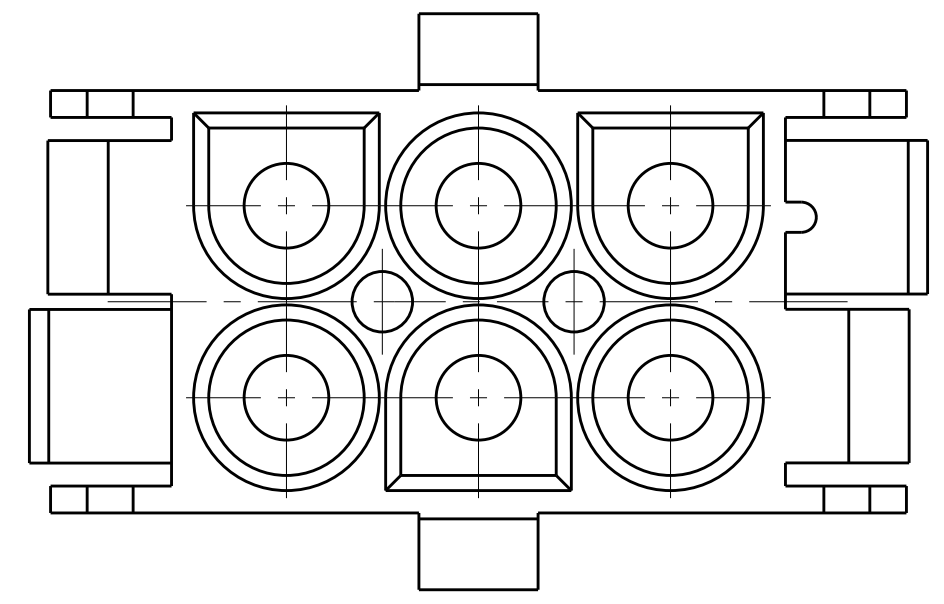
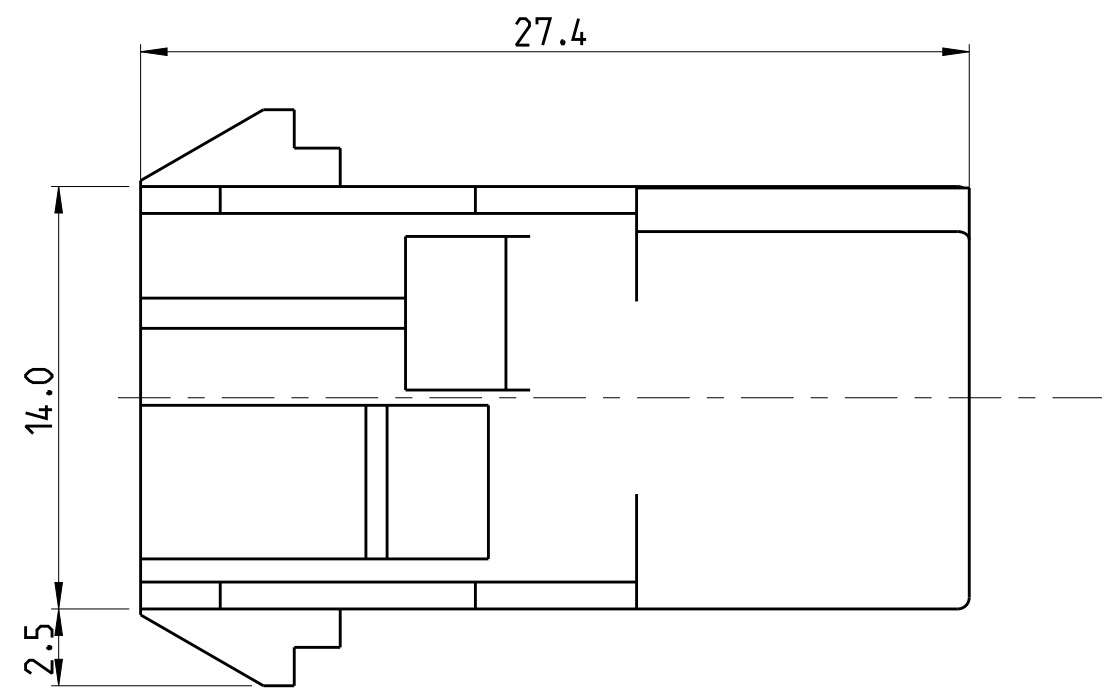
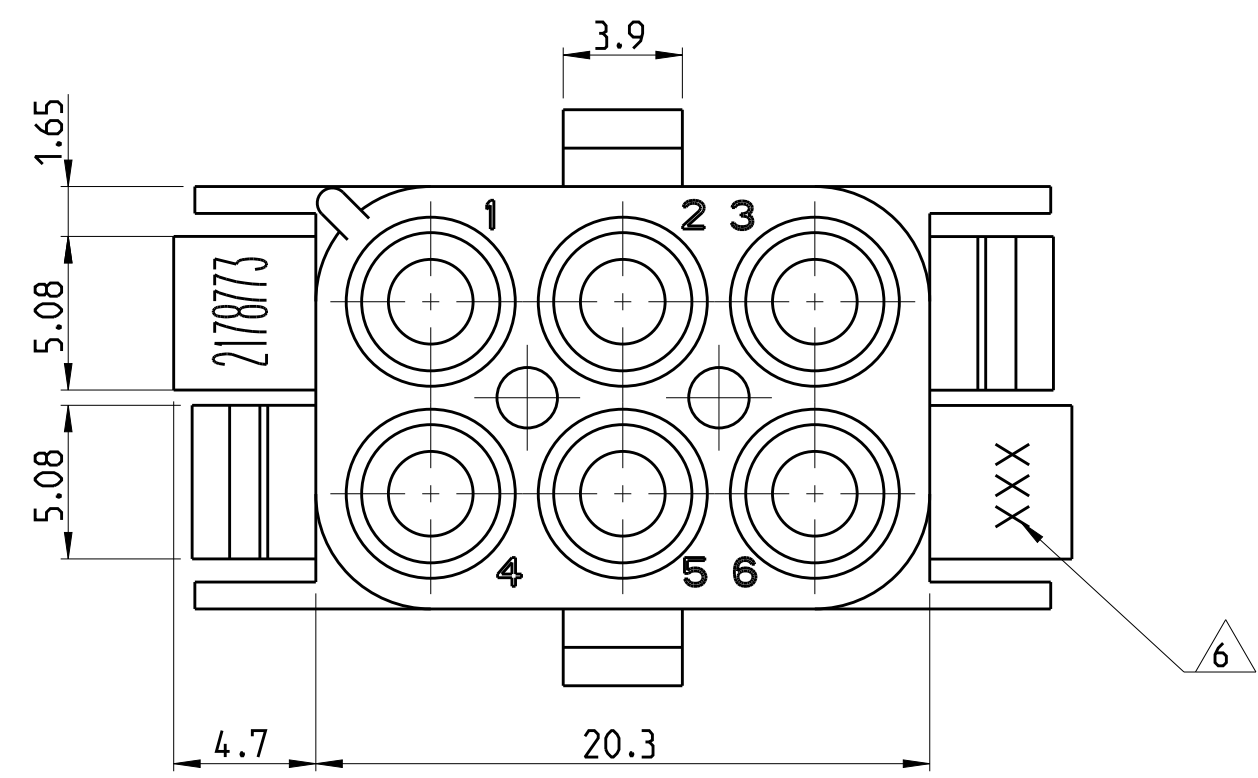


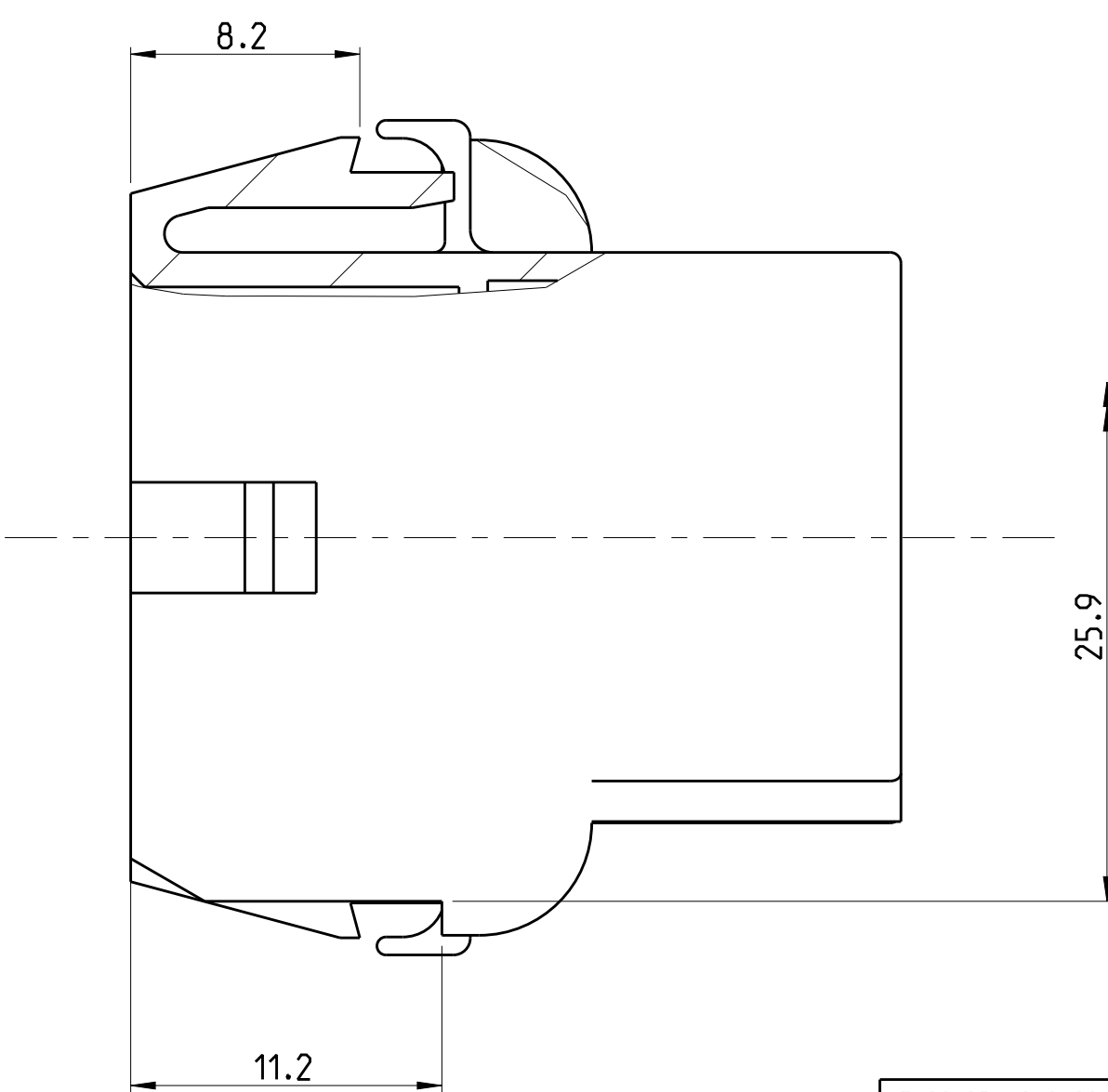
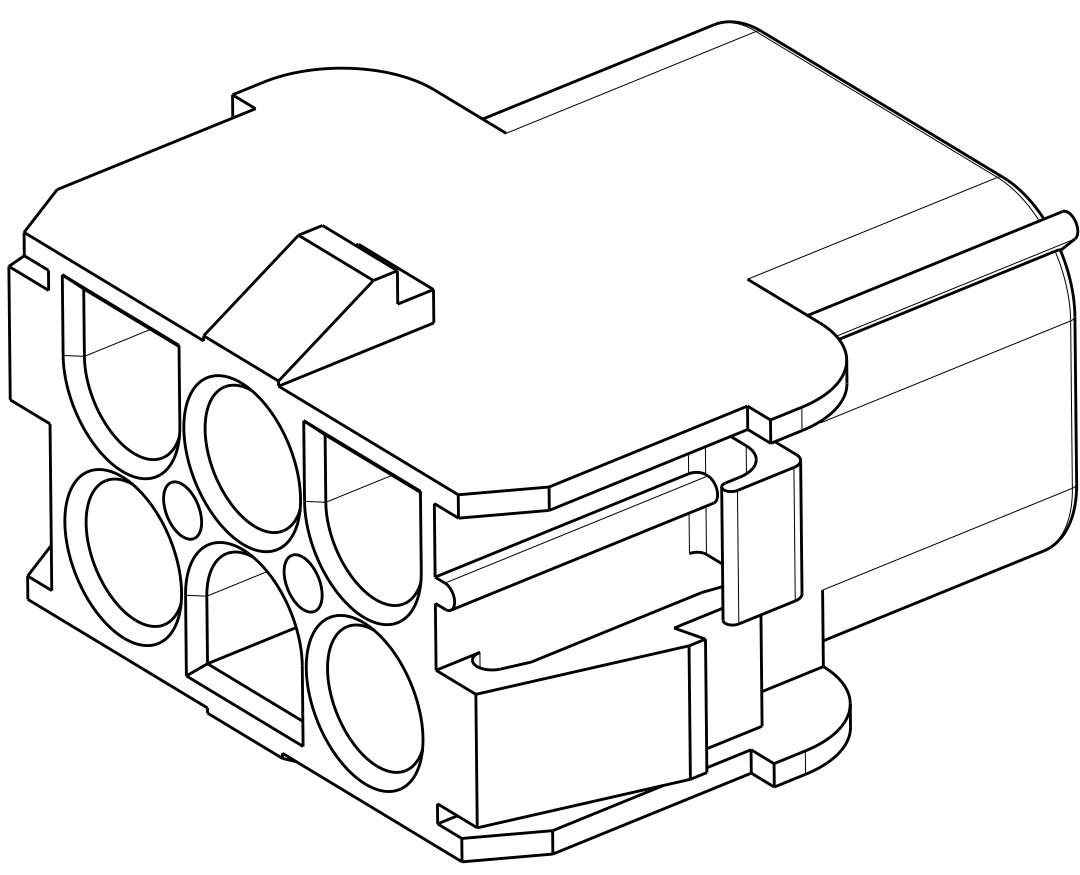
THIS DRAWING IS UNPUBLISHED. RELEASED FOR PUBLICATION 2013  
 © COPYRIGHT 2013 Tyco Electronics AMP GmbH ALL RIGHTS RESERVED.

REVISIONS					
P	LTR	DESCRIPTION	DATE	DWN	APVD
A		ECR-14-002737	24FEB2014	KB	RP
B		REVISED PER ECR-15-004262	03APR2015	AV	DZ
B1		REVISED PER ECO-17-002663	17JAN2017	C.X	D.Z

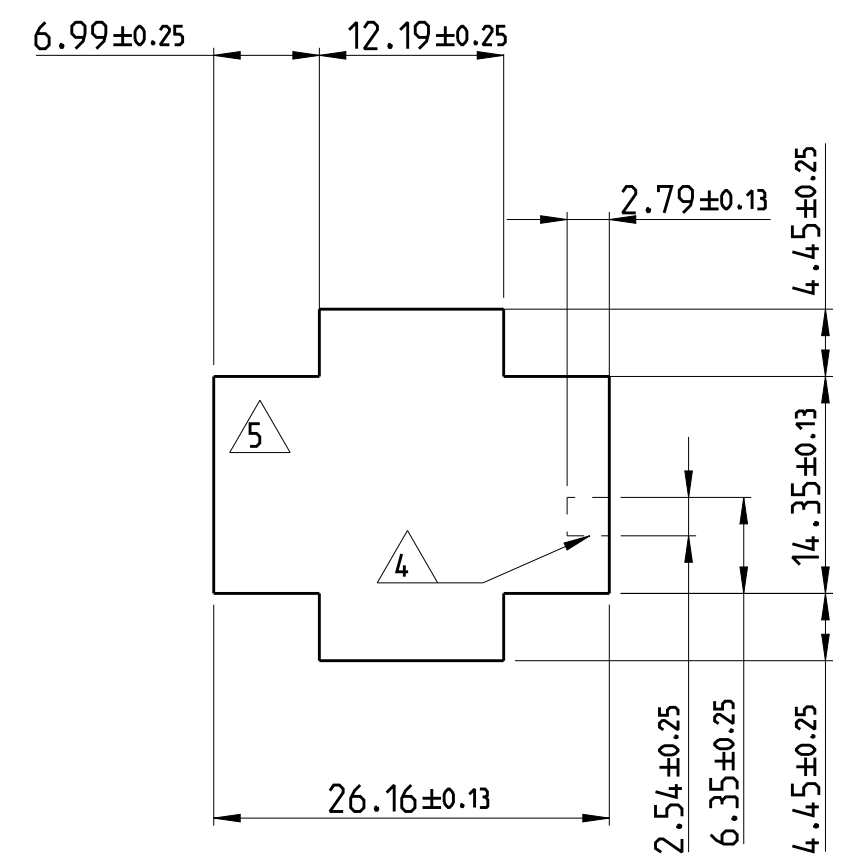


NOTE

- 1. BEEN SUITABLE FOR UMNL PIN AND SOCKET CONTACTS.
- 2. RECOMMEND SHEET METAL THICKNESS 0.75-2.3 mm.
- 3. HOUSING MUST BE INTRODUCED TO PUNCHING DIRECTION.
- △4 FOR CODED USING OF THE HOUSING.
- △5 POSITION OF CAVITY 1 FOR CODED USING .
- △6 BRANDNAME AND MANUFACTURING LOCATION CODE ACCORDING TE-SPEC 115-18016.
- △7 MATERIAL CORRESPONDING TO THE REQUIREMENT OF IEC 60335-1. (INCL.GLOW WIRE TEST 750°C WITH OUT FLAME)



PANEL CUT OUT FOR PUNCH CUT



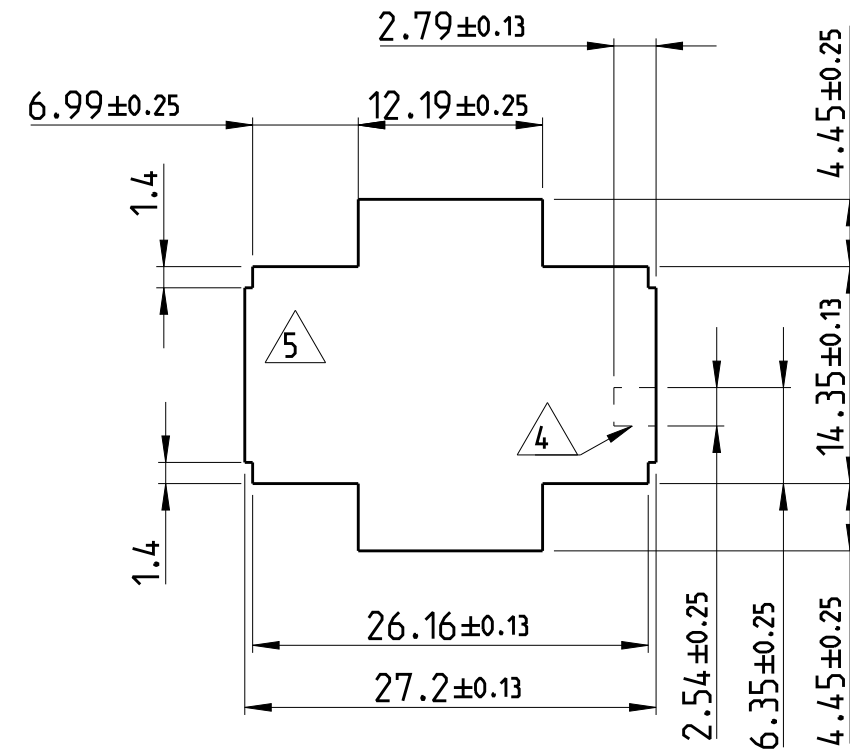
△7	NATURAL	PA66, 94V0	2178773-1
REMARK	COLOR	MATERIAL	PART NO
		GWT 750 NO FLAME	

THIS DRAWING IS A CONTROLLED DOCUMENT.		DWN 29 OCT 2013 KARTHICK BALAJI	TE Connectivity	
DIMENSIONS: mm		CHK 29 OCT 2013 KARTHICK BALAJI		
TOLERANCES UNLESS OTHERWISE SPECIFIED:		APVD 29 OCT 2013 RAJENDRA PAI	NAME UNIVRESAL MATE-N-LOK 6 WAY CAP HOUSING	
0 PLC ±		PRODUCT SPEC 108-1031	SIZE CAGE CODE DRAWING NO RESTRICTED TO	
1 PLC ±0.2		APPLICATION SPEC 114-18011	A2 00779 C-2178773	
2 PLC ±0.75		WEIGHT	SCALE 4:1 SHEET 1 OF 2 REV B1	
3 PLC ±		Customer Drawing		
4 PLC ±				
ANGLES ±				
FINISH				

THIS DRAWING IS UNPUBLISHED. RELEASED FOR PUBLICATION 2013  
 © COPYRIGHT 2013 Tyco Electronics AMP GmbH ALL RIGHTS RESERVED.

REVISIONS				
P	LTR	DESCRIPTION	DATE	APVD

PANEL CUT OUT ONLY FOR LASER CUT



	NATURAL	PA66. 94V0 GWT 750 NO FLAME	2178773-1
REMARK	COLOR	MATERIAL	PART NO

THIS DRAWING IS A CONTROLLED DOCUMENT.		DWN 29 OCT 2013 KARTHICK BALAJI	TE Connectivity	
		CHK 29 OCT 2013 KARTHICK BALAJI		
DIMENSIONS: mm		APVD 29 OCT 2013 RAJENDRA PAI	NAME UNIVRESAL MATE-N-LOK 6 WAY CAP HOUSING	
TOLERANCES UNLESS OTHERWISE SPECIFIED:		PRODUCT SPEC 108-1031	RESTRICTED TO	
0 PLC ±		APPLICATION SPEC 114-18011	SIZE A2	CAGE CODE 00779
1 PLC ±0.2		WEIGHT -	DRAWING NO C-2178773	
2 PLC ±0.15		Customer Drawing	SCALE 4:1	SHEET 2 OF 2
3 PLC ±			REV B1	
4 PLC ±				
ANGLES ±				
FINISH -				