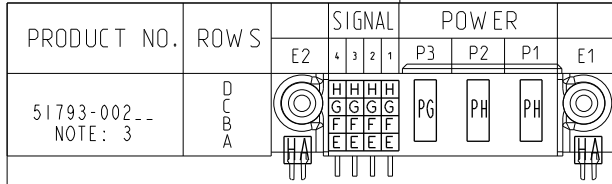


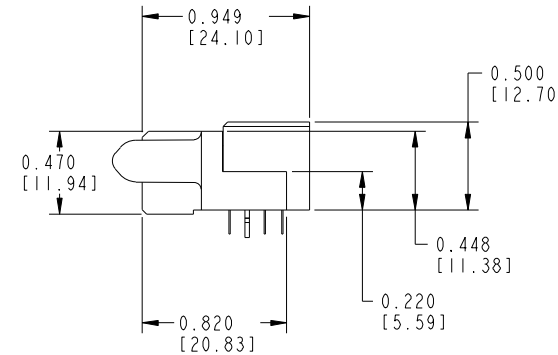
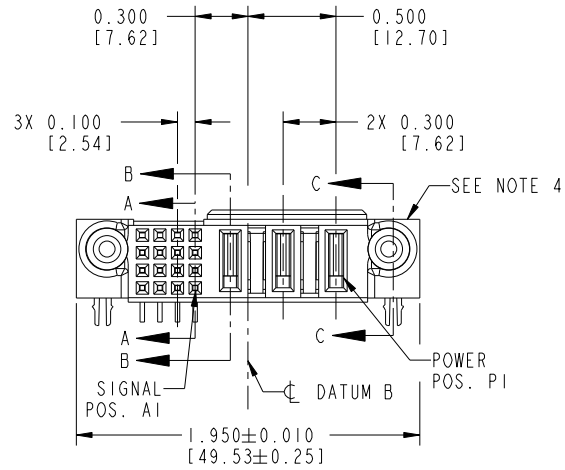
Tous droits strictement reserves. Reproduction ou communication a des tiers interdite sous quelque forme que ce soit sans autorisation écrite du propriétaire. Propriete de c FCI. Droits de reproduction FCI.



All rights strictly reserved. Reproduction or issue to third parties in any form whatever is not permitted without written authority from the proprietor. Property of FCI. Copyright FCI.



CODE	DIM "M" MATING LENGTH	CONTACT TYPE
E	N/A [N/A]	SIGNAL
F	N/A [N/A]	SIGNAL
G	N/A [N/A]	SIGNAL
H	N/A [N/A]	SIGNAL
PG	0.042 [1.07]	POWER
PH	0.092 [2.34]	POWER
HA	N/A [N/A]	HOLD-DOWN



mat'l code SEE NOTE 2				tolerances unless otherwise specified		CUSTOMER		www.fciconnect.com	
ltr	ecn no.	dr	date	linear	.XX±.01/0.X±0.3	COPY		title	
A	V03-1259	TAB	11/26/03		.XXX±.005/0.XX±0.13	projection		3ACP + 16S	
B	D607-0450	JC	11/09/07	angles	.XXX±.0020/0.XXX±0.051			R/A SOLDER RECEPTACLE	
				dr	0°±2°			product family PwrBlade code	
				enr	T. BRUNGARD 11/26/03	scale		size dwg no	
				chr	M. GRAY 11/26/03	1:1		A 51793-002 213	
				appd	M. GRAY 11/26/03			sheet	
sheet index	revision sheet	B 1	B 2	B 3	B 4			1 of 4	

cage code 22526

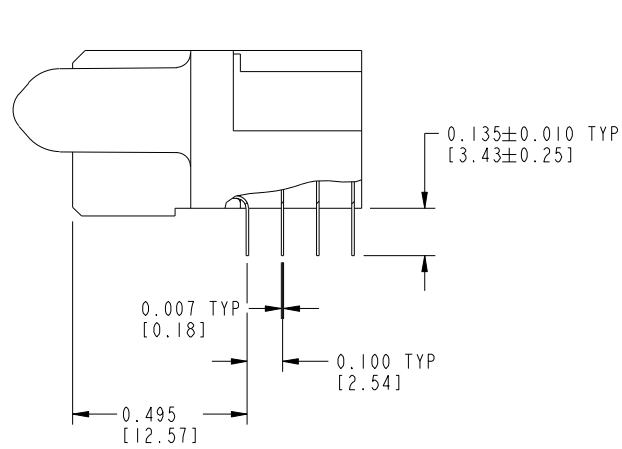
Pro/E

Tous droits strictement réservés. Reproduction ou communication à des tiers interdite sous quelque forme que ce soit sans autorisation écrite du propriétaire. Propriété de c.FCI. Droits de reproduction FCI.

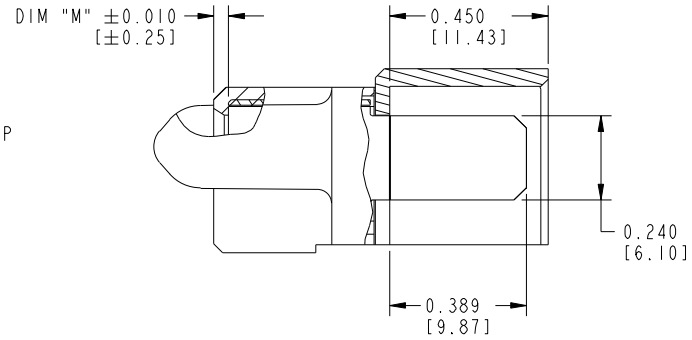


All rights strictly reserved. Reproduction or issue to third parties in any form whatever is not permitted without written authority from the proprietor. Property of FCI. Copyright FCI.

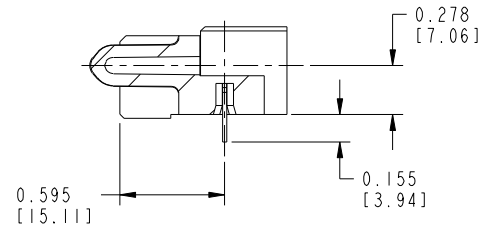
PRODUCT NUMBER
51793-002--
NOTE: 3



BROKEN-OUT SECTION A-A
SCALE 2:1



BROKEN-OUT SECTION B-B
SCALE 2:1



SECTION C-C

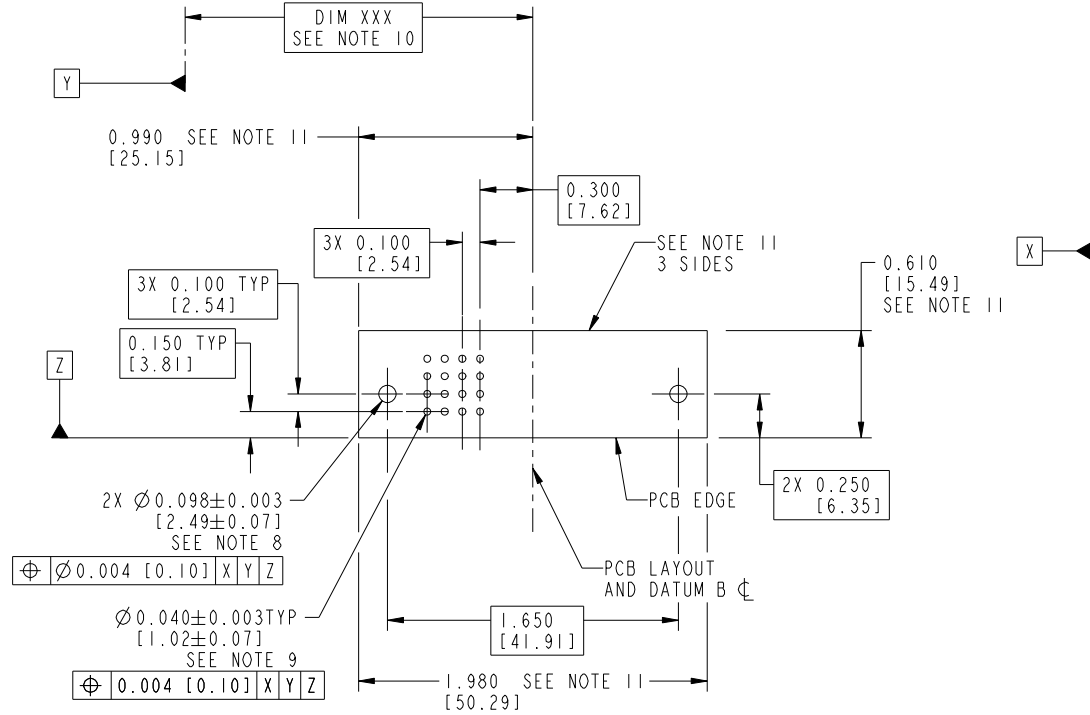
mat'l code		SEE NOTE 2		tolerances unless otherwise specified		CUSTOMER		 www.fciconnect.com					
ltr	ecn no.	dr	date	linear	.XX±.01/0.X±0.3	COPY		 title 3ACP + 16S R/A SOLDER RECEPTACLE	product family PwrBlade code 213				
B					.XXX±.005/0.XX±0.13	projection	A			size dwg no 213 sheet 2 of 4			
				angles	.XXX±.0020/0.XXX±0.051	 INCH/MM scale 1:1		A 51793-002	sheet 2 of 4				
				dr	0°±2°					cage code 22526	4		
				enr	T. BRUNGARD 11/26/03			Pro/E	3				
				chr	M. GRAY 11/26/03							2	4
				appd	M. GRAY 11/26/03								
sheet index	revision sheet									cage code 22526	4		

Tous droits strictement reserves. Reproduction ou communication a des tiers interdite sous quelque forme que ce soit sans autorisation écrite du propriétaire. Propriete de c.FCI. Droits de reproduction FCI.



All rights strictly reserved. Reproduction or issue to third parties in any form whatever is not permitted without written authority from the proprietor. Property of FCI. Copyright FCI.

PRODUCT NUMBER
51793-002--
NOTE: 3



RECOMMENDED PCB LAYOUT

mat'l code		SEE NOTE 2		tolerances unless otherwise specified		CUSTOMER		 www.fciconnect.com	
ltr	ecn no.	dr	date	linear	.XX±.01/0.X±0.3	COPY		title	
B					.XXX±.005/0.XX±0.13	projection		3ACP + 16S	
				angles	.XXX±.0020/0.XXX±0.051			R/A SOLDER RECEPTACLE	
				dr	0°±2°	INCH/MM		product family	
				enr	T. BRUNGARD 11/26/03	scale		PwrBlade	
				chr	M. GRAY 11/26/03	1:1		code	
				appd	M. GRAY 11/26/03	A		213	
sheet index		revision sheet				size		dwg no	
						A		51793-002	
								3 of 4	

cage code 22526

Pro/E

Tous droits strictement reserves. Reproduction ou communication a des tiers interdite sous quelque forme que ce soit sans autorisation écrite du propriétaire. Propriete de c FCI. Droits de reproduction FCI.



All rights strictly reserved. Reproduction or issue to third parties in any form whatever is not permitted without written authority from the proprietor. Property of FCI. Copyright FCI.

PRODUCT NUMBER
51793-002--
NOTE: 3

NOTES:

1. DIMENSIONS AND TOLERANCES ARE IN ACCORDANCE WITH ASME Y14.5M, 1994 UNLESS OTHERWISE SPECIFIED.

CONNECTOR NOTES:

- 2. HOUSING MATERIAL: UL 94 V-0 GLASS FILLED HIGH-TEMP THERMOPLASTIC
POWER CONTACT MATERIAL: COPPER ALLOY
SIGNAL PIN MATERIAL: COPPER ALLOY
- 3. 51793-002; 51793-002LF PLATING SPEC.SEE PRINT:10064183
- 4. MANUFACTURER'S NAME, P/N, AND DATE CODE TO APPEAR ON THIS SURFACE.
- 5. PRODUCT SPECIFICATION GS-12-149.
APPLICATION SPECIFICATION BUS-20-067.
- 6. PACKAGED IN TRAYS.

PCB NOTES:

- 7. ALL HOLE DIAMETERS ARE FINISHED HOLE SIZE.
- 8. MOUNTING HOLES, WHERE APPLICABLE, ARE UNPLATED.
- 9. $\varnothing .0453 \pm .0010$ [1.151 \pm 0.025] DRILLED HOLES PLATED WITH .0003 [0.008] MIN SnPb OR Sn OVER .001 [0.03] TO .003 [0.08] Cu PLATING TO ACHIEVE $\varnothing .040 \pm .003$ [1.02 \pm .07] HOLE.
- 10. "DIM XXX" TO BE DETERMINED BY THE CUSTOMER.
- 11. CONNECTOR KEEP-OUT ZONE.

mat'l code				SEE NOTE 2		tolerances unless otherwise specified		CUSTOMER		www.ficconnect.com	
ltr	ecn no.	dr	date	linear	.XX \pm .01/0.X \pm 0.3		COPY			title	
B					.XXX \pm .005/0.XX \pm 0.13		projection			3ACP + 16S	
					.XXX \pm .0020/0.XXX \pm 0.051					R/A SOLDER RECEPTACLE	
				angles	0 $^{\circ}$ \pm 2 $^{\circ}$		INCH/MM		product family		
				dr	T. BRUNGARD	11/26/03	scale		PwrBlade		
				enrg	M. GRAY	11/26/03	1:1		code		
				chr	M. GRAY	11/26/03	A		size		
				appd	M. GRAY	11/26/03			dwg no		
sheet index		revision sheet						51793-002		213	
								4 of 4		4 of 4	

cage code 22526