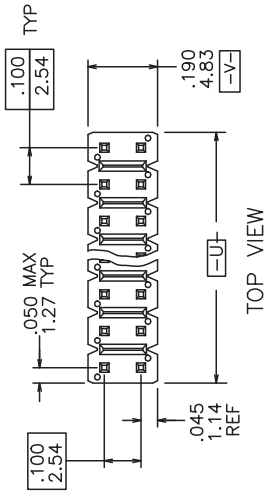
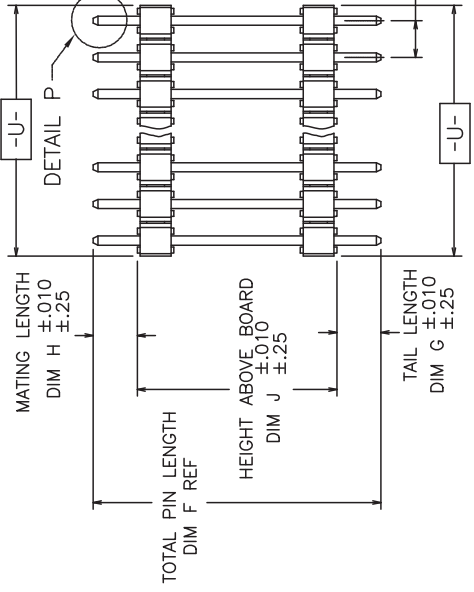


1 2 3 4

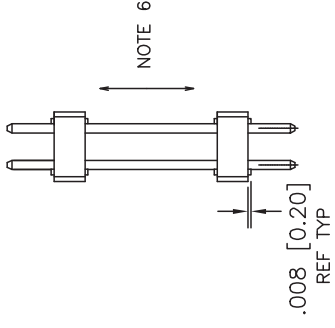
PRODUCT NUMBER  
 XXXXX-YYY HLF  
 LEAD FREE OPTION  
 SEE NOTE 1,7  
 HIGH TEMPERATURE PLASTIC  
 SEE NOTE 1  
 NO. OF  
 POSITIONS  
 SEE NOTE 1  
 PIN PLATING  
 SEE SHEET 2  
 BASE PART NO.



TOP VIEW

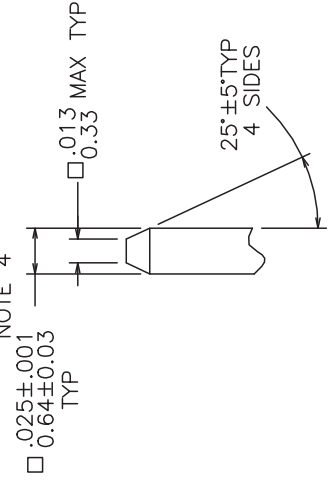


SIDE VIEW



END VIEW

NOTE 4  
 $\varnothing .020/0.51 \text{ (M) (U) (V) (S)}$



DETAIL P  
 TYP BOTH ENDS

rev	ecn no	dr	date
CX	ELX-N-1605	ZK	2013-10-22
CS	M06-0165	MHT	7/04/06
CT	M06-0269	AEA	7/14/06
CJ	M06-0307	MHT	8/08/06
CV	M08-0291	MHT	10/08/08
CV	N11-0118	JZ	2011-04-13

www.fciconnect.com

Dr	1/31/95	1/31/95	1/31/95	1/31/95
T. BREWBAKER				
Eng	T. HANNA			
Chr	T. HANNA			
Appr	T. HANNA			

surface	6.4	tolerance std	projection	INCH/MM
ISD 1302	ISD 406	ISD 1101		
TOLERANCES UNLESS OTHERWISE SPECIFIED				
ANGULAR	0.X	±0.3	size	A4
Ø	±2*	±0.15	ECN	
Product Family	BERGSTIK			Spec ref
BERGSTIK® II HDR, D/R				Rev.
.100 CTR. R.R. TRACK				78563
catalog no				CUSTOMER
				sheet 1 of 7

PIN PLATING CODES:	
XXXXX-1YY	30u"/0.76u MIN (SEE NOTE 8) OVER 50u"/1.27u MIN Ni
XXXXX-2YY	15u"/0.38u MIN (SEE NOTE 8) OVER 50u"/1.27u MIN Ni
XXXXX-3YY	50u"/1.27u MIN (SEE NOTE 8) OVER 50u"/1.27u MIN Ni
XXXXX-4YY	TIN LEAD OPTION 120u"/3.05u MIN 93/7 SnPb OVER 50u"/1.27u MIN Ni (SEE NOTE 1,9)
XXXXX-5YY	LF OPTION 100u"/2.54u MIN Sn OVER 50u"/1.27u MIN Ni
XXXXX-6YY	15u"/0.38u MIN (SEE NOTE 8) OVER 50u"/1.27u MIN Ni
XXXXX-7YY	30u"/0.76u MIN (SEE NOTE 8) OVER 50u"/1.27u MIN Ni
XXXXX-8YY	30u"/0.76u MIN (SEE NOTE 8) OVER 50u"/1.27u MIN Ni
XXXXX-9YY	15u"/0.38u MIN (SEE NOTE 8) OVER 50u"/1.27u MIN Ni
XXXXX-0YY	15u"/0.38u MIN (SEE NOTE 8) OVER 50u"/1.27u MIN Ni
XXXXX-0YY	30u"/0.76u MIN (SEE NOTE 8) OVER 50u"/1.27u MIN Ni

**NOTES**

1. PART NUMBER OPTIONS:  
PIN PLATING CODES (SEE ABOVE)

HIGH TEMP. MATERIAL:  
FOR HIGH-TEMPERATURE APPLICATIONS, SPECIFY AN 'H' AT THE END OF THE PART NUMBER, AND PCT WILL BE SUPPLIED.

NUMBER OF POSITION:  
ANY NUMBER OF POSITIONS FROM 4 (2X2) THRU 72 (2X36).  
PACKAGED IN POLY BAGS.

LEAD FREE:  
ADD 'HLF' SUFFIX AT THE END OF PART NUMBER FOR LEAD FREE OPTION, NOT AVAILABLE FOR -5YY,-5YH,-6YY & -6YH.

2. BODY MATERIAL:  
MANUFACTURER'S OPTION OF NYLON OR PCT, GLASS FIBER REINFORCED, FLAME RETARDANT PER UL-94V-0.  
COLOR: BLACK OR MINERAL FILLED LCP FLAME RETARDANT PER UL-94V-0.  
COLOR: BLACK

PART NUMBERS WITH 'H' SUFFIX WILL WITHSTAND EXPOSURE TO 260°C PEAK TEMPERATURE FOR 20 SECONDS IN WAVE SOLDER, INFRA-RED OR VAPOR PHASE SOLDER PROCESS.

PART NUMBERS WITHOUT 'H' SUFFIX WILL WITHSTAND EXPOSURE TO 260°C PEAK TEMPERATURE FOR WAVE SOLDER PROCESS.

3. PIN MATERIAL: PHOS-BRONZE.

4. MEASURED WITH PART IN RESTRAINED CONDITION.

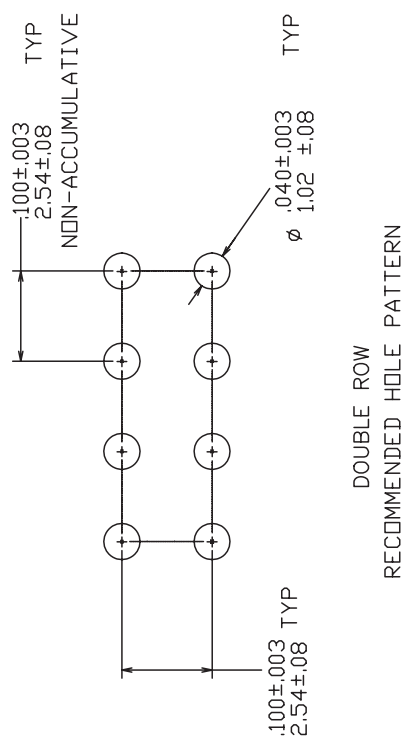
5. TWO SIDES OF PIN TIPS NOT PLATED. TYPICAL BOTH ENDS.

6. 2LBS/0.9KG MIN PIN RETENTION IN EITHER DIRECTION.

7. THESE PRODUCTS MEETS EUROPEAN UNION DIRECTIVES AND OTHER COUNTRY REGULATION AS DESCRIBED IN GS-22-008.

8. PLATING OPTIONS:  
PERFORMANCE PLATING WILL BE EITHER GOLD OR GXT ON POST OR TAIL, OPTIONALLY (78~295u"/2~7.5u) TIN ON TAIL.

9. THIS PRODUCT HAS 100% TIN PLATING IN THE INTERFACE AND HAS NOT BEEN TESTED FOR WHISKER GROWTH IN ALL INTERCONNECT ENVIRONMENTS.



DOUBLE ROW  
RECOMMENDED HOLE PATTERN



Copyright FCI

www.fciconnect.com		surface ISD 1302	tolerance std ISD 406 ISD 1101	projection	INCH/MM
TOLERANCES UNLESS OTHERWISE SPECIFIED		TOLERANCES UNLESS OTHERWISE SPECIFIED		INCH/MM	
Dp	T. BREWBAKER	1/31/95	ANGULAR	LINEAR	DX ±0.3
Eng	T. HANNA	1/31/95	0° ±2°	Product Family	BERGSTIK
Chr	T. HANNA	1/31/95	Product Family	BERGSTIK	Spec ref
Appr	T. HANNA	1/31/95	Product Family	BERGSTIK	Spec ref
		BERGSTIK® II HDR, D/R		Rev.	78563
catalog no		.100 CTR. R.R. TRACK		Rev.	CX
customer no		CUSTOMER		sheet 2 of 7	

PRODUCT NUMBER	TOTAL PIN LGTH		TAIL LENGTH		MATING		LENGTH		HEIGHT ABOVE BOARD		LF OPTION
	DIM F	DIM F	DIM G	DIM G	DIM H	DIM H	DIM J	DIM J	DIM J	DIM J	
	ENGLISH	METRIC	ENGLISH	METRIC	ENGLISH	METRIC	ENGLISH	METRIC	ENGLISH	METRIC	
58478-XYH	0.808	20.52	0.120	3.05	0.268	6.81	0.420	10.67	OB		
58479-XYH	1.030	26.16	0.200	5.08	0.360	9.14	0.470	11.94	OB		
60056-XYH	0.425	10.80	0.150	3.81	0.065	1.65	0.210	5.33	OB		
71282-XYH	0.543	13.79	0.102	2.59	0.213	5.41	0.228	5.79	OB		
71284-XYH	0.920	23.37	0.122	3.10	0.372	9.45	0.426	10.82	OB		
71285-XYH	1.075	27.31	0.110	2.79	0.350	8.89	0.615	15.62	OB		
71704-XYH	1.145	29.08	0.354	8.99	0.354	8.99	0.437	11.10	OB		
71725-XYH	1.110	28.19	0.110	2.79	0.370	9.40	0.630	16.00	OB		
71726-XYH	1.380	35.05	0.315	8.00	0.315	8.00	0.750	19.05	OB		
71728-XYH	1.200	30.48	0.100	2.54	0.254	6.45	0.846	21.49	OB		
71739-XYH	0.945	24.00	0.110	2.79	0.110	2.79	0.725	18.42	OB		
71741-XYH	1.340	34.04	0.110	2.79	0.330	8.38	0.900	22.86	OB		
71758-XYH	1.123	28.52	0.394	10.01	0.394	10.01	0.335	8.51	OB		
71797-XYH	0.705	17.91	0.125	3.18	0.240	6.10	0.340	8.64	OB		
72302-XYH	1.176	29.87	0.100	2.54	0.230	5.84	0.846	21.49	OB		
72307-XYH	0.880	22.35	0.250	6.35	0.330	8.38	0.300	7.62	NOTE 1,7		
72334-XYH	0.775	19.69	0.120	3.05	0.230	5.84	0.425	10.80	OB		
72335-XYH	1.250	31.75	0.120	3.05	0.230	5.84	0.900	22.86	OB		
72345-XYH	0.630	16.00	0.100	2.54	0.230	5.84	0.300	7.62	OB		
72320-XYH	1.158	29.41	0.100	2.54	0.290	7.37	0.768	19.51	OB		
72431-XYH	1.150	29.21	0.262	6.65	0.262	6.65	0.626	15.90	OB		
72461-XYH	1.190	30.23	0.090	2.29	0.350	8.89	0.750	19.05	OB		
72471-XYH	1.286	32.66	0.130	3.30	0.406	10.31	0.750	19.05	OB		
72509-XYH	1.370	34.80	0.235	5.97	0.235	5.97	0.900	22.86	OB		
72514-XYH	1.220	30.99	0.120	3.05	0.350	8.89	0.750	19.05	OB		
72521-XYH	0.900	22.86	0.200	5.08	0.300	7.62	0.400	10.16	OB		
73428-XYH	1.330	33.78	0.330	8.38	0.727	18.47	0.273	6.93	OB		
73500-XYH	0.870	22.10	0.300	7.62	0.300	7.62	0.270	6.86	OB		

www.fciconnect.com

surface ISD 1302 ✓ tolerance std ISD 406 ISD 1101 projection

TOLERANCES UNLESS OTHERWISE SPECIFIED

Dr	T. BREYBAKER	1/31/95	ANGULAR	LINEAR	DX	±0.3	size	A4	INCH/MM
Eng	T. HANNA	1/31/95	0°	±2°	0.XX	±0.15	ECN	Scale 1.000	
Chr	T. HANNA	1/31/95	Product Family		BERGSTIK	±0.05	Spec ref		
Appr	T. HANNA	1/31/95	BERGSTIK® II HDR, D/R		0	78563	Rev. CX		

FCI logo

BERGSTIK® II HDR, D/R  
.100 CTR, R.R, TRACK

catalog no

CUSTOMER sheet 3 of 7



Copyright FCI

PRODUCT NUMBER	TOTAL PIN LGTH		TAIL LENGTH		MATING LENGTH		HEIGHT ABOVE BOARD		LF OPTION
	DIM F	METRIC	DIM G	METRIC	DIM H	METRIC	DIM J	METRIC	
73501--XYH	0.668	16.97	0.098	2.49	0.157	3.99	0.413	10.49	OB
73697--XYH	1.435	36.45	0.300	7.62	0.525	13.34	0.610	15.49	OB
73699--XYH	0.952	24.18	0.122	3.10	0.228	5.79	0.602	15.29	OB
74381--XYH	0.975	24.77	0.360	9.14	0.360	9.14	0.255	6.48	OB
74455--XYH	1.050	26.67	0.230	5.84	0.320	8.13	0.500	12.70	OB
74465--XYH	0.945	24.00	0.110	2.79	0.285	7.24	0.550	13.97	OB
74466--XYH	0.930	23.62	0.355	9.02	0.360	9.14	0.215	5.46	OB
74467--XYH	0.930	23.62	0.365	9.27	0.365	9.27	0.200	5.08	OB
74928--XYH	1.164	29.56	0.200	5.08	0.200	5.08	0.764	19.41	OB
74997--XYH	1.208	30.68	0.150	3.81	0.290	7.37	0.768	19.51	OB
78563--XY	0.930	23.62	0.340	8.64	0.340	8.64	0.250	6.35	OB
78564--XY	1.230	31.24	0.390	9.91	0.390	9.91	0.450	11.43	OB
78936--XY	0.785	19.94	0.120	3.05	0.120	3.05	0.545	13.84	OB
78937--XY	0.490	12.45	0.120	3.05	0.120	3.05	0.250	6.35	OB
84693--XYH	0.975	24.77	0.380	9.65	0.380	9.65	0.215	5.46	OB
84819--XYH	0.730	18.54	0.110	2.79	0.170	4.32	0.450	11.43	OB
84950--XYH	1.250	31.75	0.120	3.05	0.350	8.89	0.780	19.81	OB
86816--XY	0.925	23.50	0.120	3.05	0.120	3.05	0.685	17.40	OB
86824--XY	0.760	19.30	0.120	3.05	0.250	6.35	0.390	9.91	OB
86826--XY	0.700	17.78	0.120	3.05	0.330	8.38	0.250	6.35	OB
86831--XY	0.525	13.34	0.100	2.54	0.225	5.72	0.200	5.08	OB
86869--XY	1.020	25.91	0.120	3.05	0.230	5.84	0.670	17.02	OB
87039--XY	1.240	31.50	0.120	3.05	0.120	3.05	1.000	25.40	OB
87053--XY	0.990	25.15	0.120	3.05	0.120	3.05	0.750	19.05	OB
87323--XY	1.375	34.93	0.219	5.56	0.406	10.31	0.750	19.05	OB

A

B

C

D



Copyright FCI

www.fciconnect.com		surface ISO 1302	tolerance std ISO 406 ISO 1101	projection	INCH/MM
TOLERANCES UNLESS OTHERWISE SPECIFIED		ANGULAR	LINEAR	size	A4
Dr	T. BREWBAKER	1/31/95	DX	±0.3	Scale
Eng	T. HANNA	1/31/95	0.XX	±0.15	1,000
Chr	T. HANNA	1/31/95	0.XXX	±0.05	ECN
Appr	T. HANNA	1/31/95	Product Family	BERGSTIK	Spec ref
		BERGSTIK® II HDR, D/R		0	78563
catalog no		.100 CTR, R.R, TRACK		0	Rev.
		CUSTOMER		sheet 4 of 7	CX

PRODUCT NUMBER	TOTAL PIN LGTH		TAIL LENGTH		MATING LENGTH		HEIGHT ABOVE BOARD		LF OPTION
	DIM F	METRIC	DIM G	METRIC	DIM H	METRIC	DIM J	METRIC	
87324-XY	1.218	30.94	0.406	10.31	0.406	10.31	0.406	10.31	OB
87346-XY	0.930	23.62	0.100	2.54	0.330	8.38	0.500	12.70	OB
87347-XY	0.890	22.61	0.110	2.79	0.280	7.11	0.500	12.70	OB
87501-XY	1.230	31.24	0.330	8.38	0.100	2.54	0.800	20.32	OB
87511-XY	1.130	28.70	0.105	2.67	0.325	8.26	0.700	17.78	OB
87512-XY	1.030	26.16	0.120	3.05	0.410	10.41	0.500	12.70	OB
87571-XY	0.930	23.62	0.250	6.35	0.250	6.35	0.430	10.92	OB
87594-XY	1.190	30.23	0.200	5.08	0.120	3.05	0.870	22.10	OB
87887-XY	0.940	23.88	0.120	3.05	0.395	10.03	0.425	10.80	OB
87899-XY	1.040	26.42	0.120	3.05	0.370	9.40	0.550	13.97	OB
89444-XY	0.930	23.62	0.120	3.05	0.310	7.87	0.500	12.70	OB
89637-XY	1.260	32.00	0.118	3.00	0.315	8.00	0.827	21.01	OB
89638-XY	1.040	26.42	0.120	3.05	0.270	6.86	0.650	16.51	OB
90237-XY	0.813	20.65	0.120	3.05	0.318	8.08	0.375	9.53	OB
90608-XY	0.595	15.11	0.120	3.05	0.255	6.48	0.220	5.59	OB
90806-XY	1.400	35.56	0.360	9.14	0.200	5.08	0.840	21.34	OB
91507-XY	0.610	15.49	0.120	3.05	0.240	6.10	0.250	6.35	OB
91508-XY	0.888	22.56	0.120	3.05	0.500	12.70	0.268	6.81	OB
91509-XY	1.260	32.00	0.120	3.05	0.500	12.70	0.640	16.26	OB
91510-XY	0.960	24.38	0.120	3.05	0.500	12.70	0.340	8.64	OB
91862-XY	0.767	19.48	0.120	3.05	0.297	7.54	0.350	8.89	OB
91863-XY	0.792	20.12	0.120	3.05	0.297	7.54	0.375	9.53	OB

A

B

C


D



Copyright FCI

www.fciconnect.com		surface ISD 1302		tolerance std ISD 406		projection		INCH/MM	
TOLERANCES UNLESS OTHERWISE SPECIFIED		ANGULAR		LINEAR		size		A4	
T. BREYBAKER		1/31/95		0.XX		0.05		Scale 1.000	
T. HANNA		1/31/95		0.XXX		0.005		ECN	
T. HANNA		1/31/95		Product Family		Spec ref		78563	
T. HANNA		1/31/95		BERGSTIK		BERGSTIK		Rev. CX	
FCI logo		BERGSTIK® II HDR, D/R		0		78563		Rev. CX	
catalog no		.100 CTR, R.R, TRACK		CUSTOMER		sheet 5 of 7			

PRODUCT NUMBER	TOTAL PIN LGTH		TAIL LENGTH		MATING LENGTH		HEIGHT ABOVE BOARD		LF OPTION
	DIM F	METRIC	DIM G	METRIC	DIM H	METRIC	DIM J	METRIC	
92002	0.980	24.89	0.120	3.05	0.410	10.41	0.450	11.43	OB
92012	0.940	23.88	0.090	2.29	0.350	8.89	0.500	12.70	OB
92013	1.450	36.83	0.120	3.05	0.330	8.38	1.000	25.40	OB
92094	1.030	26.16	0.180	4.57	0.180	4.57	0.670	17.02	OB
92628	1.160	29.46	0.120	3.05	0.230	5.84	0.810	20.57	OB
92900	0.470	11.94	0.110	2.79	0.110	2.79	0.250	6.35	OB
93223	0.635	16.13	0.090	2.29	0.230	5.84	0.315	8.00	OB
94046	0.620	15.75	0.120	3.05	0.250	6.35	0.250	6.35	OB
94082	0.838	21.29	0.120	3.05	0.318	8.08	0.400	10.16	OB
94083	1.398	35.51	0.120	3.05	0.318	8.08	0.960	24.38	OB
94084	0.775	19.69	0.130	3.30	0.265	6.73	0.380	9.65	OB
94085	0.825	20.96	0.130	3.30	0.265	6.73	0.430	10.92	OB
94550	1.110	28.19	0.125	3.18	0.300	7.62	0.685	17.40	OB
94551	1.120	28.45	0.415	10.54	0.415	10.54	0.290	7.37	OB
94552	1.230	31.24	0.110	2.79	0.205	5.21	0.915	23.24	OB
94553	1.230	31.24	0.120	3.05	0.310	7.87	0.800	20.32	OB
94554	1.250	31.75	0.120	3.05	0.330	8.38	0.800	20.32	OB
94555	1.270	32.26	0.385	9.78	0.385	9.78	0.500	12.70	OB
94605	0.830	21.08	0.110	2.79	0.270	6.86	0.450	11.43	OB
94620	1.002	25.45	0.120	3.05	0.382	9.70	0.500	12.70	OB
94621	0.590	14.99	0.100	2.54	0.260	6.60	0.230	5.84	OB
94632	1.040	26.42	0.110	2.79	0.305	7.75	0.625	15.88	OB
94672	0.750	19.05	0.120	3.05	0.335	8.51	0.295	7.49	OB
95036	1.304	33.12	0.290	7.37	0.290	7.37	0.724	18.39	OB
95063	0.902	22.91	0.135	3.43	0.330	8.38	0.437	11.10	OB
95064	0.630	16.00	0.220	5.59	0.120	3.05	0.290	7.37	OB
95088	1.100	27.94	0.300	7.62	0.300	7.62	0.500	12.70	OB

www.fcconnect.com		supr-face ISO 1302		tolerance std ISO 406 ISO 1101	projection	INCH/MM	
TOLERANCES UNLESS OTHERWISE SPECIFIED		ANGULAR		LINEAR	size	A4	
Dr	T. BREWBAKER	1/31/95	0.XX	±0.3	ECN	Scale 1.000	
Eng	T. HANNA	1/31/95	0.XXX	±0.15	Spec ref	78563	
Chr	T. HANNA	1/31/95	0.XXX	±0.05	Product Family	BERGSTIK	
Appr	T. HANNA	1/31/95	Product Family		BERGSTIK		
		BERGSTIK® II HDR, D/R		Rev.		CX	
catalog no		.100 CTR, R.R, TRACK		CUSTOMER		sheet 6 of 7	



Copyright FCI