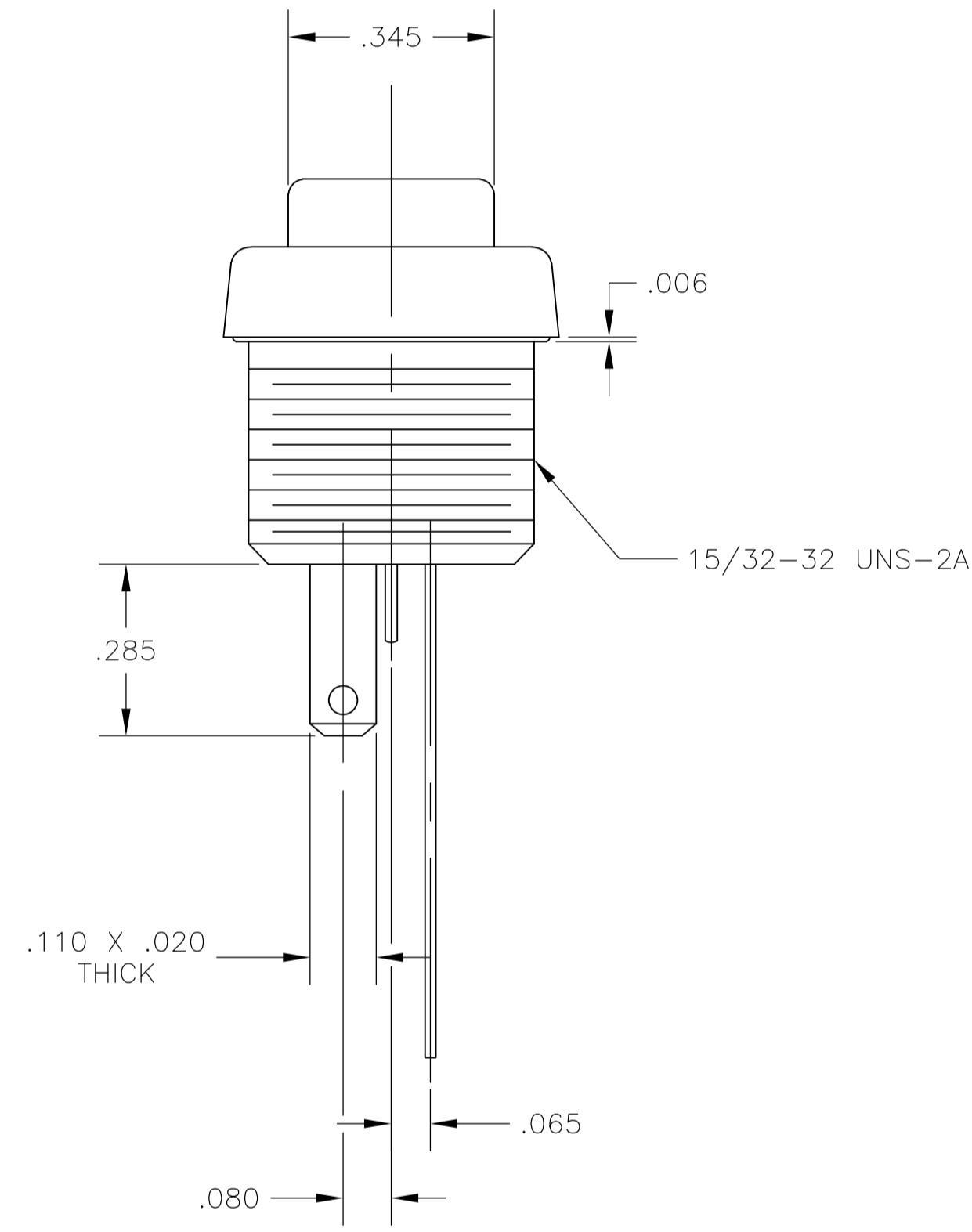
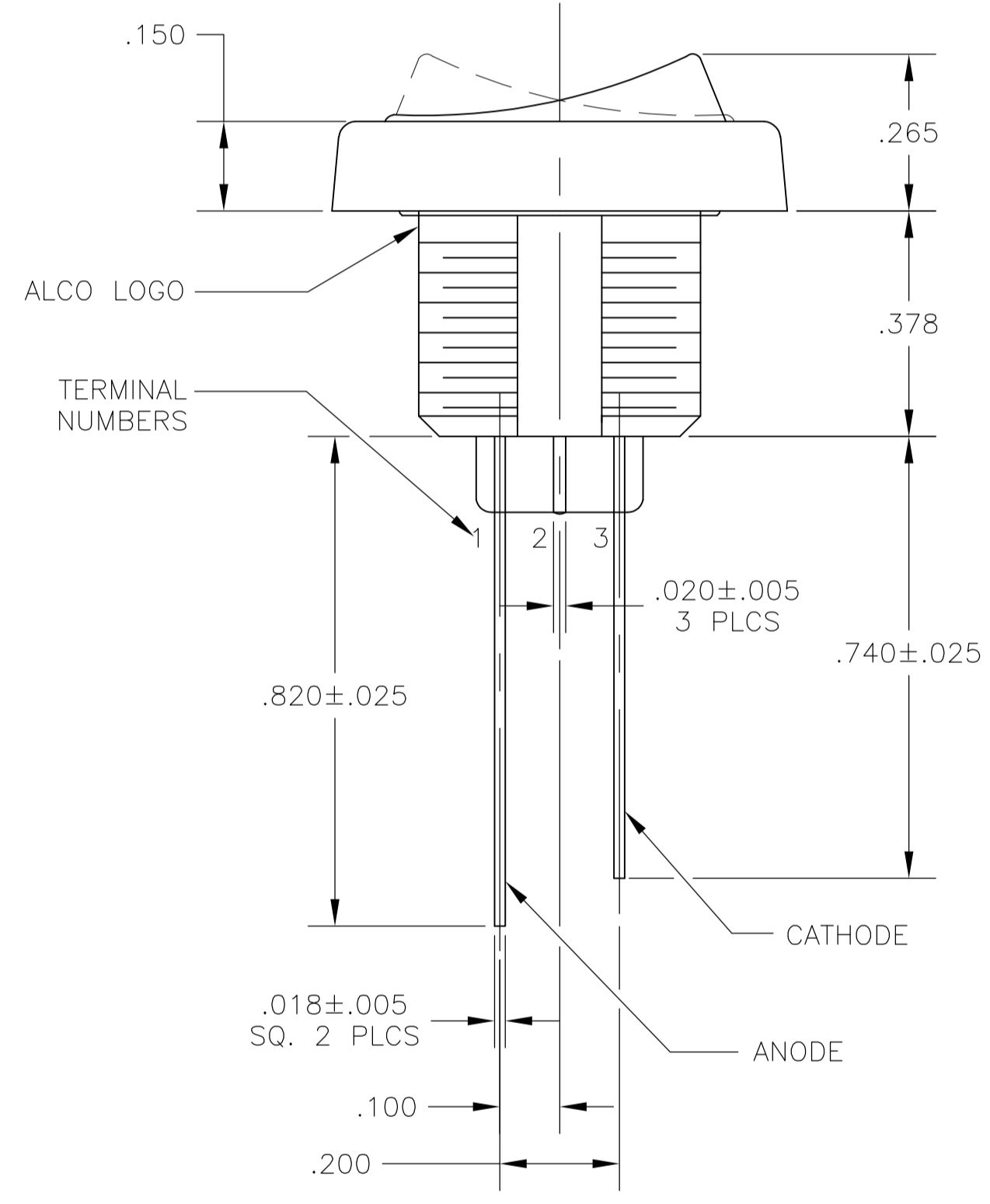


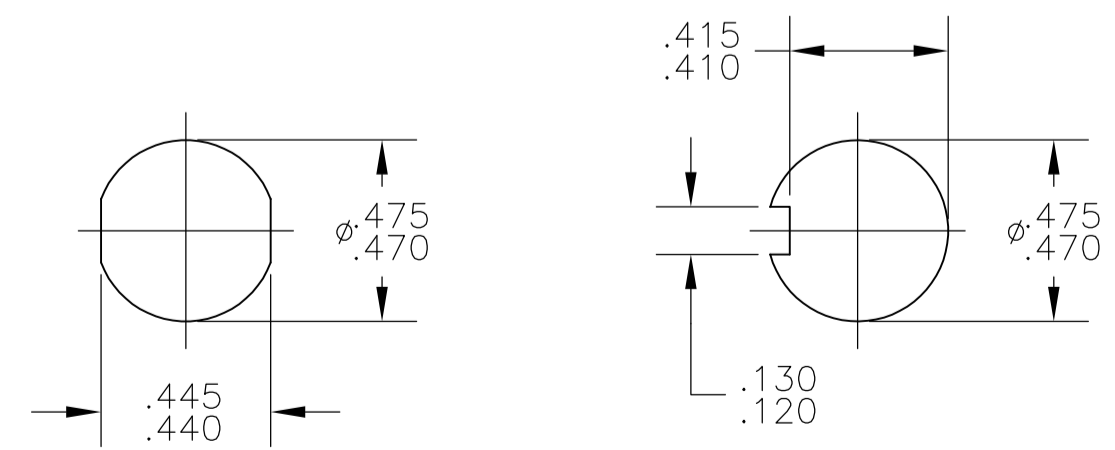
NOTES:

1. ALL MATERIALS AND FINISHES COMPLY WITH EU DIRECTIVE 2002/95/EC OF 27JAN2003 (RoHS).
2. TERMINAL NUMBERS ARE FOR REFERENCE ONLY AND DO NOT APPEAR ON THE SWITCHES.
3. MOUNTING HARDWARE: (1) HEX NUT AND (1) INTERNAL TOOTH LOCKWASHER SUPPLIED WITH SWITCH.

MATERIAL CHART		
COMPONENT NAME	BASE MATERIAL	FINISH
CASE	PPO, BLACK, UL94-HB	
ROCKER	NYLON 6/6, BLACK, UL94-V2	
SPRING	MUSIC WIRE	
SPRING, F FUNCTION	MUSIC WIRE	
INSULATOR	POLYETHERIMIDE, NATURAL	
TERMINAL, END, F FUNCTION	BRASS	GOLD OVER NICKEL
TERMINAL, CENTER, F FUNCTION	BRASS	GOLD OVER NICKEL
ROCKER CONTACT	BRASS	GOLD OVER NICKEL
NUT	BRASS	NICKEL
LOCKWASHER	STAINLESS STEEL	
TERMINAL SEAL	ACRYLIC RESIN	
LED WINDOW	ACRYLIC, TRANSPARENT	
LED		



SPECIFICATION CHART	
RATING	.4A MAX @ 20 VDC OR PEAK AC
INITIAL CONTACT RESISTANCE	20 MILLIOHMS MAX.
INSULATION RESISTANCE	1,000 MEGAOHMS MIN @ 500 VDC
DIELECTRIC WITHSTANDING VOLTAGE	500 V RMS AT SEA LEVEL
ELECTRICAL LIFE, 2 POSITION	20,000 CYCLES
ELECTRICAL LIFE, 3 POSITION	60,000 CYCLES
MECHANICAL LIFE, 2 POSITION	100,000 CYCLES
MECHANICAL LIFE, 3 POSITION	50,000 CYCLES
OPERATING TEMPERATURE	-20°C TO +80°C
STORAGE TEMPERATURE	-45°C TO +95°C
LED VOLTAGE	2.8 VDC MAX.
LED FORWARD CURRENT, MAX.	RED: 20mA, GREEN:25mA, RED/GREEN: 40mA



PANEL CUTOUTS
SCALE 2:1

FUNCTION CHART						
PART NUMBER	ALCO P/N	POLE	THROWS	RATING	LED COLOR	TERMINALS CONNECTED
1825425-1	TRD11F10QCLR204	1	2	0.4VA	RED	(ON) NONE ON 2-1 - 2-3

NONE: NO MECHANICAL POSITION
 OFF: MECHANICAL POSITION WITH NO ELECTRIC CONNECTION
 (ON): MOMENTARY ACTION

THIS DRAWING IS A CONTROLLED DOCUMENT.		DIN	BSV	Tyco Electronics Corporation Harrisburg, Pa 17105-3608	
DIMENSIONS: INCHES		CHK	M. ZITTO	NAME	
TOLERANCES UNLESS OTHERWISE SPECIFIED:		DATE	17JUN06	TRD SERIES ROCKER SWITCH, 1 POLE, .4VA, QC TERMINALS WITH LED	
0 PLC ± -		APVD		RESTRICTED TO	
1 PLC ± -		M. ZITTO		A1 00779 C=1825425	
2 PLC ± -		PRODUCT SPEC		SCALE 4:1 SHEET 1 OF 1 REV A	
3 PLC ± -		APPLICATION SPEC		CUSTOMER DRAWING	
4 PLC ± -		SIZE		CAGE CODE	
ANGLES ± -		WEIGHT		DRAWING NO	
MATERIAL SEE TABLE		FINISH SEE TABLE		DRAWING NO	