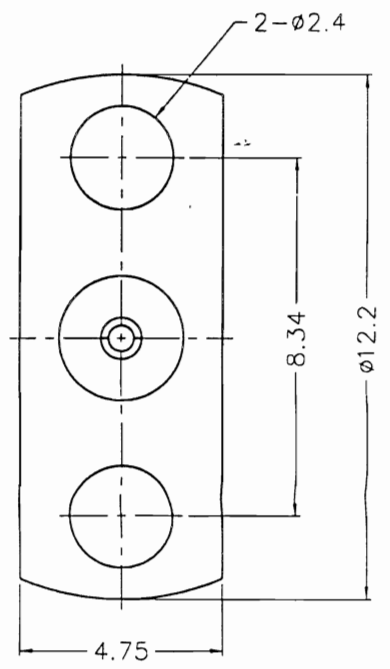
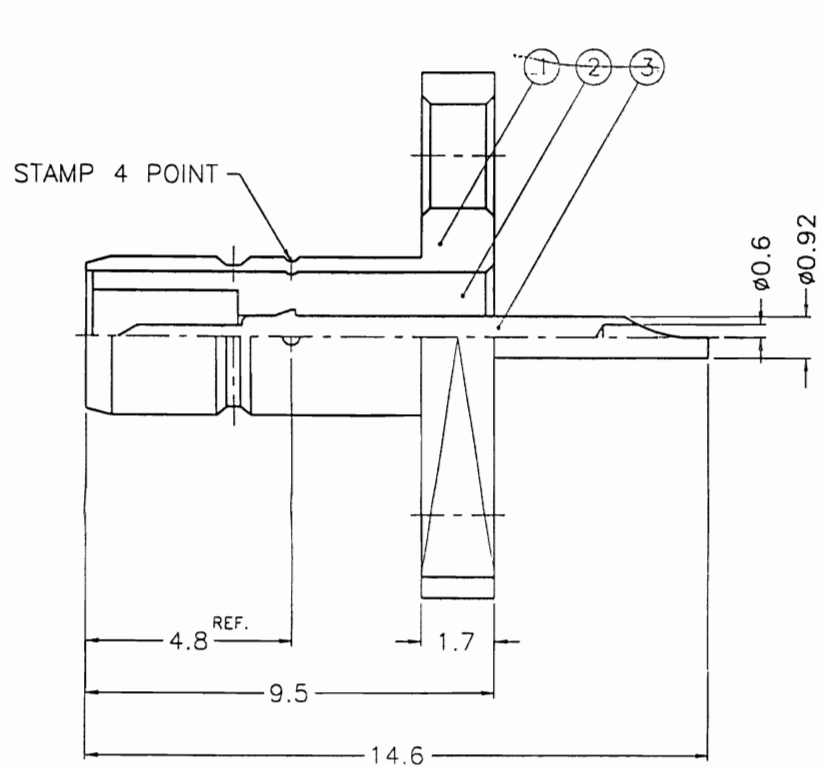


1 | 2 | 3 | 4 | 5 | 6 | 7 | 8

REVISIONS		
ISS	ZONE	DESCRIPTION\APPROVED\DATE



- NOTES: FINISH (PLATING THICKNESS IN MICRO-INCHES)
1. BRASS PER QQ-B-626
 2. GOLD PL. 3 MIN. THICK OVER NICKEL PL. 100 MIN. THICK OVER COPPER STRIKE
 3. GOLD PL. 30 MIN. THICK OVER NICKEL PL. 100 MIN. THICK OVER COPPER STRIKE
 4. TEFLON MIL-P-19468

87.9.14
開發部

NO.	DESCRIPTION	MATERIAL	FINISH	Q'TY	DRAWING NO.
3	CONTACT PIN	NOTE 1	NOTE (3)	1	SMB1551B2-3
2	INSULATOR	NOTE 4	NATURAL	1	SMB1551B2-2T-50
1	BODY	NOTE 1	NOTE (2)	1	SMB1551B2-1

DIMENSIONS ARE IN MILLIMETERS		PART NO.	
UNLESS OTHERWISE SPECIFIED TOLERANCES		APPROVED	DATE
0.5-6 = ±0.2		<i>Mark C</i>	09-10-98'
6-30 = ±0.4		CHECKED	DATE
30-120 = ±0.6		<i>Mark C</i>	09-10-98'
120-315 = ±1		DRAWN	DATE
315-1000 = ±1.6		ALEX	09-10-98'
1000-2000 = ±2.4			

Amphenol Connex

TITLE: SMB PANEL MOUNT RECEPTACLE JACK

DRAWING NO. 142106

KJ-SMB1551B2-3GT30G-50

FILE NO. F:\OWG\SMB\1551B2\50\3GT30G

1 | 2 | 3 | 4 | 5 | 6 | 7 | 8