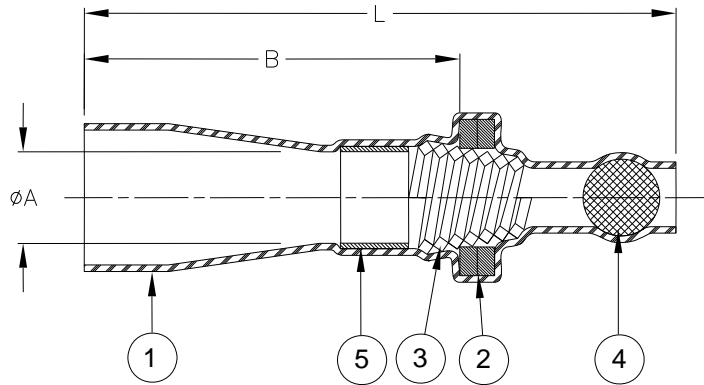


CUSTOMER DRAWING



| Product Name | Ball Color (item 4) | Product Dimensions | | | Copper Cross Section | | Bundle Diameter ϕD max | Qty: Item 2 (Solder) |
|--------------|---------------------|-----------------------------|-------------------------------------|------------------------------------|----------------------------|----------------------------|------------------------------|----------------------|
| | | L \pm 3.5 [L \pm 0.140] | ϕA | B | Min. mm ² [CMA] | Max. mm ² [CMA] | | |
| SGRS-1-58 | Green | 38.3 [1.510] | 3.6 +0.4/-0.2 [0.140 +0.016/-0.008] | 26.0 \pm 2.0 [1.025 \pm 0.079] | 0.7 [1400] | 2.4 [4800] | 3.3 [0.130] | 1 |
| SGRS-2-58 | Red | 37.7 [1.485] | 5.0 +0.7/-0.2 [0.200 +0.028/-0.008] | 23.5 \pm 2.0 [0.925 \pm 0.079] | 2.0 [4000] | 4.0 [8000] | 4.5 [0.175] | 2 |
| SGRS-3-58 | Blue | 45.5 [1.790] | 7.5 +0.9/-0.2 [0.295 +0.035/-0.008] | 26.5 \pm 2.0 [1.045 \pm 0.079] | 3.5 [7000] | 8.0 [16000] | 7.0 [0.275] | 2 |
| SGRS-4-58 | Yellow | 45.0 [1.770] | 9.4 +0.9/-0.3 [0.370 +0.035/-0.012] | 25.5 \pm 3.0 [1.005 \pm 0.118] | 7.5 [15000] | 12.0 [24000] | 9.0 [0.350] | 3 |

These products are tested to RB109.

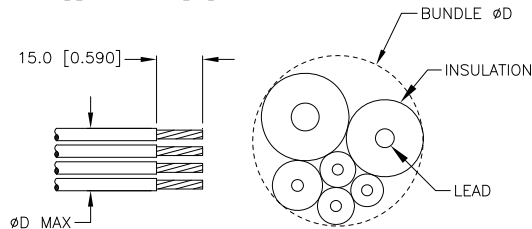
MATERIALS


- INSULATION SLEEVE: Heat-shrinkable, transparent blue, radiation cross-linked modified polyvinylidene fluoride.
- SOLDER PREFORM WITH FLUX: Qty: see table.
SOLDER: TYPE Sn42Bi58 per ANSI / J-STD-006.
FLUX: TYPE ROM1 per ANSI / J-STD-004.
- CONICAL SPRING: Square copper wire.
- END CLOSURE BALL: Tinted glass. Color: see table.
- SEALING INSERT: Hot melt adhesive.

APPLICATION

- These controlled soldering devices are designed for stub splicing of stranded wires, with bare copper conductors and an insulation rated for 85°C minimum and 125°C continuous maximum.
- Temperature range: Class 3, -40°C to +125°C.
- Vibration range: Class 1 (body).
- Seal range: Class 2 (watertight against immersion). Immersion resistant sealing is dependent on the wire combinations used. The user should test specific wire combinations. Refer to Tyco Electronics / Raychem Specification RB109 for procedures.
- For installation procedure and application equipment, consult RPIP-820-00.

For best results, prepare the cable as shown:



| | | | | | | |
|--|------------------------------------|--|-------------------------------------|---|-----------------------------|-------------------------|
|  | | Raychem Devices | | TITLE: SOLDERGRIP DEVICE STUB SEALED SPLICE | | |
| Unless otherwise specified dimensions are in millimeters. [Inches dimensions are shown in brackets] | | | | DOCUMENT NO.: SGRS-X-58 | | |
| TOLERANCES: 0.00 N/A 0.0 N/A 0 N/A | ANGLES: N/A ROUGHNESS IN MICRON | Tyco Electronics reserves the right to amend this drawing at any time. Users should evaluate the suitability of the product for their application. | | REV.: B1 | DATE: 12-Apr-2017 | |
| DRAWN BY: P.TALLY | CAGE CODE: 06090 | REPLACES: D060344 | ECO NUMBER: ECO-17-005227 | SCALE: NTS | SIZE: A | SHEET: 1 of 1 |

© 2006-2017 TE Connectivity Corporation. All rights reserved.

If this document is printed it becomes uncontrolled. Check for the latest revision.