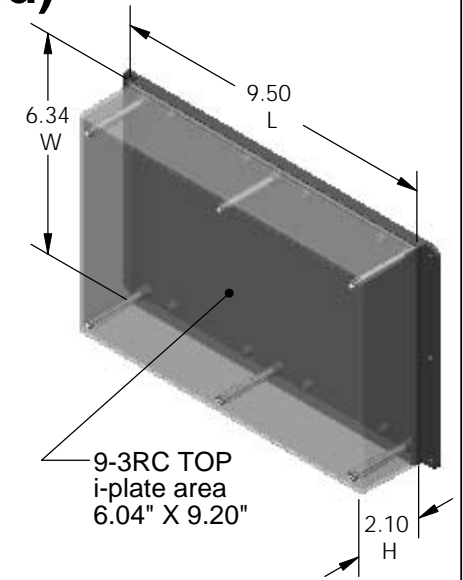
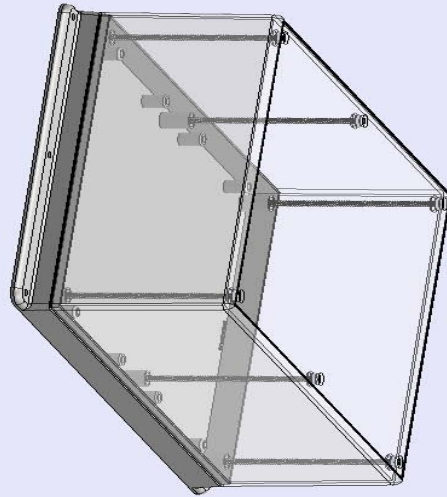


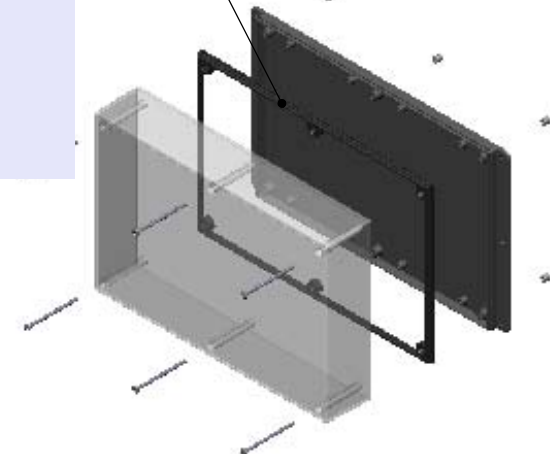
# SERPAC WM093RC (3D exploded)

Electronic Enclosures

- Click on image to show toolbar. Use  to Play/Pause Animation\*.
- Left click and drag on image to move 3D model.



Water proofing gasket  
PS19 optional.  
see note #2



- a) Zoom in & out with center wheel.
  - b) Pause at any moment to view and or print views.
  - c) Change the views to ortho and section views if needed from the Views pull down menu.
  - d) Explore options included in the tool bar like: Views, Transparency of model, Lighting type, etc.
- \*(To have full interaction with the animated PDF files, please use free Adobe Reader 9 or newer version.)

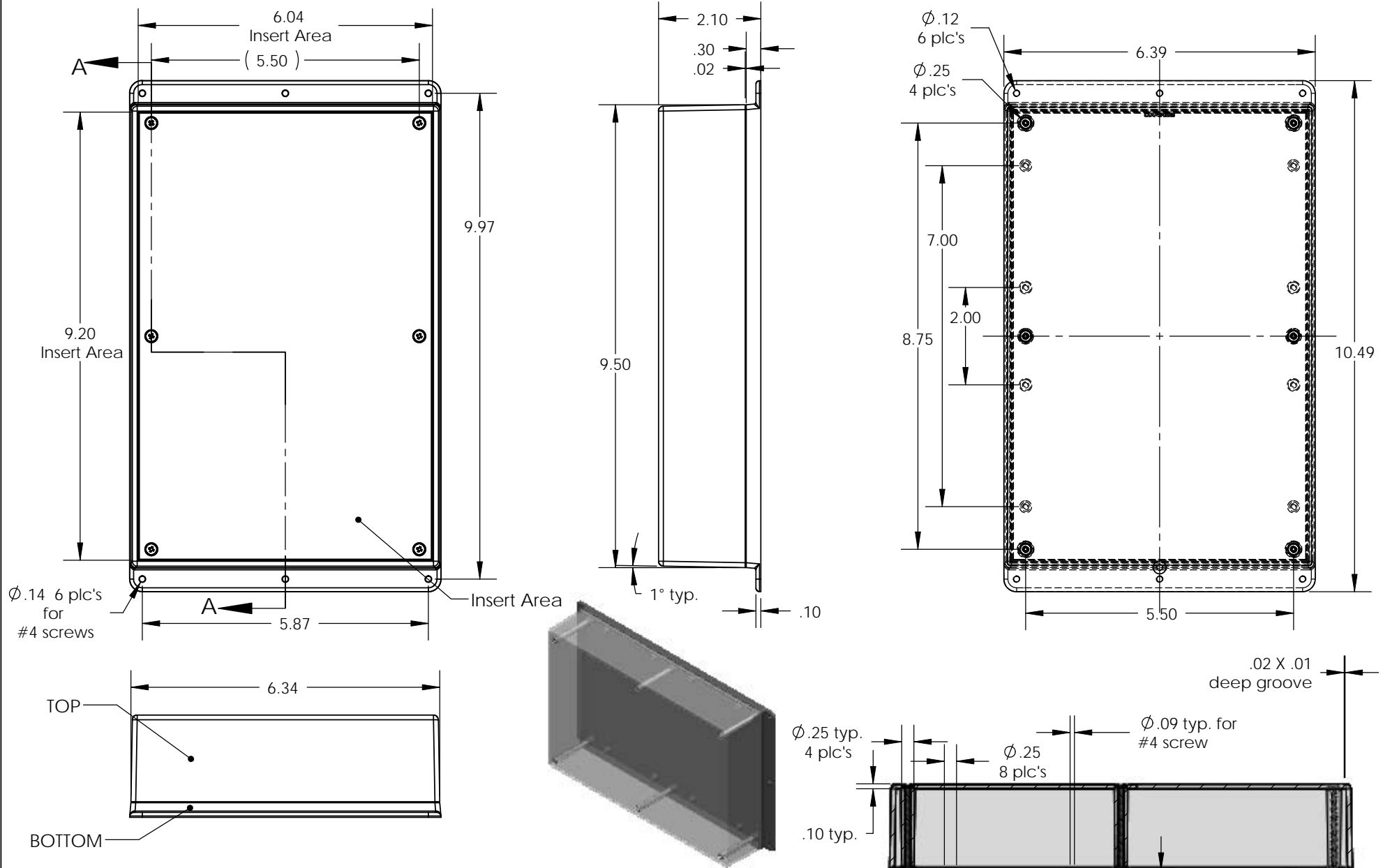
| PART NO. | DESCRIPTION (Included) | ACCESSORIES (Optional) More available; see website |                         |
|----------|------------------------|--|-------------------------|
|          |                        | PART NO.   | DESCRIPTION             |
| 9-3RC    | TOP                    |  |                         |
| WM09     | BOTTOM                 | 50   | Non-skid Feet           |
| 6019     | 4-40 SCREW (6)         | PS19   | Perimeter Seal          |
| 6102     | THREADED INSERTS (6)   | 6004   | Screw for circuit board |

- Notes: Enclosure weight .80 lbs / 366 gm
- 1) Enclosure meets or exceeds IP40 and NEMA 1
  - 2) When used with PS19 the enclosure meets or exceeds IP 67 and NEMA 4X, 12 and 13 MIL-STD-810G 506.5
  - 3) Circuit Board drawings can be download at:  
<http://www.serpac.com/Products/Sseries/x9x/drawings/19X-CB.pdf>
  - 4) All components are RoHS Compliant.

**ALL DIMENSIONS ARE ± .010" 5/19/10 (1 of 2)**  
 2009 Wright Ave. La Verne, CA 91750  
 Ph. (626) 331-0517 Fx. (626) 331-8584 [serpac.com](http://serpac.com)

# SERPAC WM093RC (user print)

Electronic Enclosures



| PART NO. | DESCRIPTION (Included) | ACCESSORIES (Optional) More available; see website |                         |
|----------|------------------------|--|-------------------------|
| 9-3RC    | TOP                    | PART NO.   | DESCRIPTION             |
| WM09     | BOTTOM                 | 50   | Non-skid Feet           |
| 6019     | 4-40 SCREW (6)         | PS19   | Perimeter Seal          |
| 6102     | THREADED INSERTS (6)   | 6004   | Screw for circuit board |

Notes: Enclosure weight .80 lbs / 366 gm

- 1) Enclosure meets or exceeds IP40 and NEMA 1
- 2) When used with PS19 the enclosure meets or exceeds IP 67 and NEMA 4X, 12 and 13 MIL-STD-810G 506.5
- 3) Circuit Board drawings can be download at: <http://www.serpac.com/Products/Sseries/x9x/drawings/19X-CB.pdf>
- 4) All components are RoHS Compliant.

SECTION A-A  
SCALE 1 : 2.75

**ALL DIMENSIONS ARE ± .010" 5/18/10 (2 of 2)**  
 2009 Wright Ave. La Verne, CA 91750  
 Ph. (626) 331-0517 Fx. (626) 331-8584 [www.serpac.com](http://www.serpac.com)