

STRUCTURE Silicon monolithic integrated circuit

PRODUCT NAME LED Driver IC for Cellular Phone

MODEL NAME **BH6943KN**

FEATURES •On-chip 1 times (X1), 1.5 times (X1.5), and 2 times (X2)
 auto switchable high-efficiency charge pump circuit (90 mA/max)

 •6-channel brightness control constant current LED driver
 $I_o = 0 \text{ mA to } 20 \text{ mA}$
 Relative error: 3% typ ($I_o=20\text{mA}$)

 •Include Thermal shutdown protection

 •Compact package
 VQFN20 (4.2 mm × 4.2 mm, height = 0.8 mm)

○ Absolute Maximum Ratings

Parameter	Symbol	Rating	Unit
Maximum applied voltage	V_{MAX}	6.5	V
Allowable dissipation *1	P_d	350	mW
Allowable dissipation *2	P_d	530	mW
Operating temperature range	T_{opr}	-30~+80	°C
Storage temperature range	T_{stg}	-55~+125	°C

*1 This is the allowable dissipation of the IC itself. Reduce to 3.5 mW/°C when $T_a = 25^\circ\text{C}$ or above. When mounted on a PCB, allowable dissipation may vary depending on the PCB's size and other characteristics.

*2 This is the allowable dissipation when mounted on a standard Rohm PCB (70 mm X 70 mm, 1.6 mm thick, glass epoxy). Reduce to 5.3 mW/°C when $T_a = 25^\circ\text{C}$ or above.

Caution: If any of these values are exceeded, the device may be damaged and normal operation is not guaranteed.

○ Recommended Operating Range

Parameter	Symbol	Rating	Unit
VBAT input voltage	V_{BAT}	2.8~4.5	V

Caution: This product is not especially designed to be protected from radioactivity.

Status of this document

The English version of this document is the formal specification.

A customer may use this translation version only for a reference to help reading the formal version.

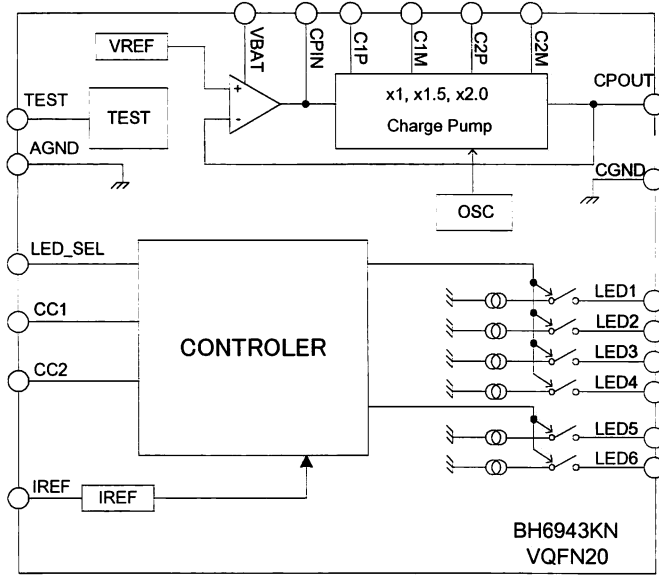
If there are any differences in translation version of this document, formal version takes priority.

○ Electrical Characteristics

(Unless otherwise noted, Ta = 25°C and VBAT = 3.6 V)

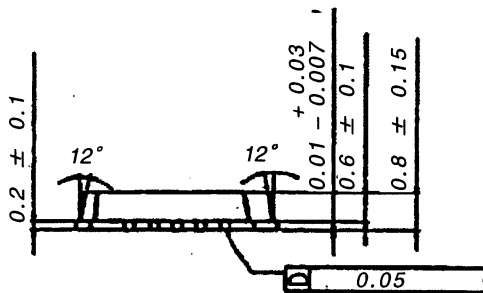
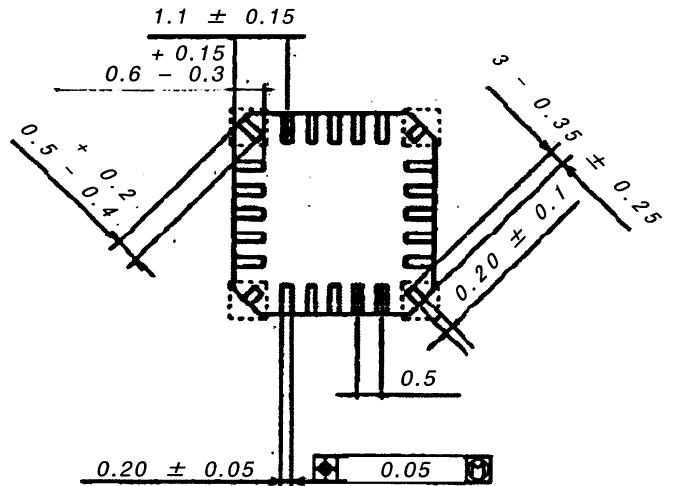
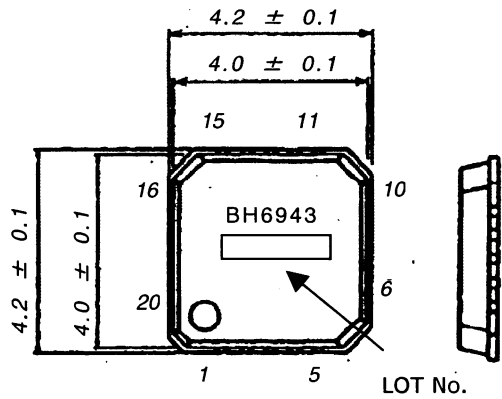
Parameter	Symbol	Spec			Units	Condition
		MIN	TYP	MAX		
• Circuit Current						
Circuit Current0	I _{Q0}	-	0	2	uA	Stand-by mode LED_SEL,CC1,CC2="L"
Circuit Current1.0	I _{Q1.0}	-	1.2	-	mA	DC/DC CONVERTER ON, 1.0times mode, I _o =0mA ALL LED drivers are active
Circuit Current1.5	I _{Q1.5}	-	3.6	-	mA	DC/DC CONVERTER ON, 1.5times mode, I _o =0mA ALL LED drivers are active
Circuit Current2.0	I _{Q2.0}	-	3.4	-	mA	DC/DC CONVERTER ON, 2.0times mode, I _o =0mA ALL LED drivers are active
• DC-DC Converter						
CPOUT Voltage 1.0	V _{CP1.0}	-	4.0	-	V	1.0 times mode ICPOUT=90mA VBAT=4.2V
CPOUT Voltage1.5	V _{CP1.5}	4.35	4.5	4.65	V	1.5times mode ICPOUT=1mA
CPOUT Output Current1.5	I _{CP1.5}	-	-	90	mA	1.5times mode VCPOUT>4V, VBAT=3.6V
CPOUT Voltage2.0	V _{CP2.0}	4.35	4.5	4.65	V	2.0times mode ICPOUT=1mA
CPOUT Output Current2.0	I _{CP2.0}	-	-	90	mA	2.0times mode VCPOUT>4V, VBAT=3.0V
Oscillator Frequency	f _{OSC}	-	1.2	-	MHz	
• Current Driver						
Output Current1	I _{O1}	-	1	-	mA	MIN Setting, Rref=100kΩ
Output Current2	I _{O2}	-	10	-	mA	MID Setting, Rref=100kΩ
Output Current3	I _{O3}	-	20	-	mA	MAX Setting, Rref=100kΩ
Output Current4	I _{O4}	-	15	-	mA	LED1-6 All ON, Rref=100kΩ
Leak Current when OFF	I _{LEAK}	-	-	±1	uA	When OFF, V _{LED} =V _{cp}
•Current Control(LED_SEL,CC1,CC2)						
Input "H" Level	V _{IH}	1.4	-	VBAT +0.3	V	
Input "L" Level	V _{IL}	-0.3	-	0.4	V	
"H" Level Current Influx	I _{IH}	-	0	±1	uA	
"L" Level Current Influx	I _{IL}	-	0	±1	uA	
• Under Voltage Lockout						
UVLO Threshold	V _{UVLO}	2.1	-	2.6	V	VBAT rising or falling
• Soft-Start						
SS Mode Time	T _{SS}	-	2.5	-	ms	
SS Mode Input Current	I _{SS}	-	250	-	mA	
• Short Circuit Protector						
SCP Threshold	V _{SCP}	0.8	1.0	1.2	V	CPOUT falling
Delay Time	T _{DLY}	-	10	-	mS	
Reset Time	T _{RST}	-	100	-	mS	
• LED Dropout Detector						
Detect Voltage	V _{DR}	-	0.18	-	V	

○ BLOCK DIAGRAM



Pin No.	Pin Name
1	LEDSEL
2	CC1
3	CC2
4	TEST
5	LED1
6	LED2
7	LED3
8	LED4
9	LED5
10	LED6
11	AGND
12	IREF
13	VBAT
14	CGND
15	C1M
16	CPIN
17	C2P
18	C2M
19	C1P
20	CPOUT

○ EXTERNAL VIEW(VQFN20)



Note. Items indicated by broken lines are not recommended for implementation.

○ Use-related Cautions

(1) Absolute maximum ratings

If applied voltage (VDD, VIN), operating temperature range (Topr), or other absolute maximum ratings are exceeded, there is a risk of damage. Since it is not possible to identify short, open, or other damage modes, if special modes in which absolute maximum ratings are exceeded are assumed, consider applying fuses or other physical safety measures.

(2) Recommended operating range

This is the range within which it is possible to obtain roughly the expected characteristics. For electrical characteristics, it is those that are guaranteed under the conditions for each parameter. Even when these are within the recommended operating range, voltage and temperature characteristics are indicated.

(3) Reverse connection of power supply connector

There is a risk of damaging the LSI by reverse connection of the power supply connector. For protection from reverse connection, take measures such as externally placing a diode between the power supply and the power supply pin of the LSI.

(4) Power supply lines

In the design of the board pattern, make power supply and GND line wiring low impedance.

When doing so, although the digital power supply and analog power supply are the same potential, separate the digital power supply pattern and analog power supply pattern to deter digital noise from entering the analog power supply due to the common impedance of the wiring patterns. Similarly take pattern design into account for GND lines as well.

Furthermore, for all power supply pins of the LSI, in conjunction with inserting capacitors between power supply and GND pins, when using electrolytic capacitors, determine constants upon adequately confirming that capacitance loss occurring at low temperatures is not a problem for various characteristics of the capacitors used.

(5) GND voltage

Make the potential of a GND pin such that it will be the lowest potential even if operating below that. In addition, confirm that there are no pins for which the potential becomes less than a GND by actually including transition phenomena.

(6) Shorts between pins and misinstallation

When installing in the set board, pay adequate attention to orientation and placement discrepancies of the LSI. If it is installed erroneously, there is a risk of LSI damage. There also is a risk of damage if it is shorted by a foreign substance getting between pins or between a pin and a power supply or GND.

(7) Operation in strong magnetic fields

Be careful when using the LSI in a strong magnetic field, since it may malfunction.

(8) Inspection in set board

When inspecting the LSI in the set board, since there is a risk of stress to the LSI when capacitors are connected to low impedance LSI pins, be sure to discharge for each process. Moreover, when getting it on and off of a jig in the inspection process, always connect it after turning off the power supply, perform the inspection, and remove it after turning off the power supply. Furthermore, as countermeasures against static electricity, use grounding in the assembly process and take appropriate care in transport and storage.

(9) Input pins

Parasitic elements inevitably are formed on an LSI structure due to potential relationships. Because parasitic elements operate, they give rise to interference with circuit operation and may be the cause of malfunctions as well as damage. Accordingly, take care not to apply a lower voltage than GND to an input pin or use the LSI in other ways such that parasitic elements operate. Moreover, do not apply a voltage to an input pin when the power supply voltage is not being applied to the LSI. Furthermore, when the power supply voltage is being applied, make each input pin a voltage less than the power supply voltage as well as within the guaranteed values of electrical characteristics.

(10) Ground wiring pattern

When there is a small signal GND and a large current GND, it is recommended that you separate the large current GND pattern and small signal GND pattern and provide single point grounding at the reference point of the set so that voltage variation due to resistance components of the pattern wiring and large currents do not cause the small signal GND voltage to change. Take care that the GND wiring pattern of externally attached components also does not change.

(11) Externally attached capacitors

When using ceramic capacitors for externally attached capacitors, determine constants upon taking into account a lowering of the rated capacitance due to DC bias and capacitance change due to factors such as temperature.

(12) Thermal shutdown circuit (TSD)

When junction temperatures become 150°C (typ) or higher, the thermal shutdown circuit operates and turns a switch OFF. The thermal shutdown circuit, which is aimed at isolating the LSI from thermal runaway as much as possible, is not aimed at the protection or guarantee of the LSI. Therefore, do not continuously use the LSI with this circuit operating or use the LSI assuming its operation.

(13) Thermal design

Perform thermal design in which there are adequate margins by taking into account the permissible dissipation (Pd) in actual states of use.

Notes

- No technical content pages of this document may be reproduced in any form or transmitted by any means without prior permission of ROHM CO.,LTD.
- The contents described herein are subject to change without notice. The specifications for the product described in this document are for reference only. Upon actual use, therefore, please request that specifications to be separately delivered.
- Application circuit diagrams and circuit constants contained herein are shown as examples of standard use and operation. Please pay careful attention to the peripheral conditions when designing circuits and deciding upon circuit constants in the set.
- Any data, including, but not limited to application circuit diagrams information, described herein are intended only as illustrations of such devices and not as the specifications for such devices. ROHM CO.,LTD. disclaims any warranty that any use of such devices shall be free from infringement of any third party's intellectual property rights or other proprietary rights, and further, assumes no liability of whatsoever nature in the event of any such infringement, or arising from or connected with or related to the use of such devices.
- Upon the sale of any such devices, other than for buyer's right to use such devices itself, resell or otherwise dispose of the same, no express or implied right or license to practice or commercially exploit any intellectual property rights or other proprietary rights owned or controlled by
- ROHM CO., LTD. is granted to any such buyer.
- Products listed in this document are no antiradiation design.

The products listed in this document are designed to be used with ordinary electronic equipment or devices (such as audio visual equipment, office-automation equipment, communications devices, electrical appliances and electronic toys).

Should you intend to use these products with equipment or devices which require an extremely high level of reliability and the malfunction of which would directly endanger human life (such as medical instruments, transportation equipment, aerospace machinery, nuclear-reactor controllers, fuel controllers and other safety devices), please be sure to consult with our sales representative in advance.

About Export Control Order in Japan

Products described herein are the objects of controlled goods in Annex 1 (Item 16) of Export Trade Control Order in Japan.

In case of export from Japan, please confirm if it applies to "objective" criteria or an "informed" (by MITI clause) on the basis of "catch all controls for Non-Proliferation of Weapons of Mass Destruction.

Thank you for your accessing to ROHM product informations.
More detail product informations and catalogs are available,
please contact your nearest sales office.

Please contact our sales offices for details ;

U.S.A / San Diego	TEL : +1(858)625-3630	FAX : +1(858)625-3670
Atlanta	TEL : +1(770)754-5972	FAX : +1(770)754-0691
Dallas	TEL : +1(972)312-8818	FAX : +1(972)312-0330
Germany / Dusseldorf	TEL : +49(2154)9210	FAX : +49(2154)921400
United Kingdom / London	TEL : +44(1)908-282-666	FAX : +44(1)908-282-528
France / Paris	TEL : +33(0)1 56 97 30 60	FAX : +33(0) 1 56 97 30 80
China / Hong Kong	TEL : +852(2)740-6262	FAX : +852(2)375-8971
Shanghai	TEL : +86(21)6279-2727	FAX : +86(21)6247-2066
Dilian	TEL : +86(411)8230-8549	FAX : +86(411)8230-8537
Beijing	TEL : +86(10)8525-2483	FAX : +86(10)8525-2489
Taiwan / Taipei	TEL : +866(2)2500-6956	FAX : +866(2)2503-2869
Korea / Seoul	TEL : +82(2)8182-700	FAX : +82(2)8182-715
Singapore	TEL : +65-6332-2322	FAX : +65-6332-5662
Malaysia / Kuala Lumpur	TEL : +60(3)7958-8355	FAX : +60(3)7958-8377
Philippines / Manila	TEL : +63(2)807-6872	FAX : +63(2)809-1422
Thailand / Bangkok	TEL : +66(2)254-4890	FAX : +66(2)256-6334

Japan /
(Internal Sales)

Tokyo	2-1-1, Yaesu, Chuo-ku, Tokyo 104-0082	TEL : +81(3)5203-0321	FAX : +81(3)5203-0300
Yokohama	2-4-8, Shin Yokohama, Kohoku-ku, Yokohama, Kanagawa 222-8575	TEL : +81(45)476-2131	FAX : +81(45)476-2128
Nagoya	Dainagayo Building 9F 3-28-12, Meieki, Nakamura-ku, Nagoya, Aichi 450-0002	TEL : +81(52)581-8521	FAX : +81(52)561-2173
Kyoto	579-32 Higashi Shiokouji-cho, Karasuma Nishi-iru, Shiokoujidori, Shimogyo-ku, Kyoto 600-8216	TEL : +81(75)311-2121	FAX : +81(75)314-6559

(Contact address for overseas customers in Japan)

Yokohama	TEL : +81(45)476-9270	FAX : +81(045)476-9271
----------	-----------------------	------------------------