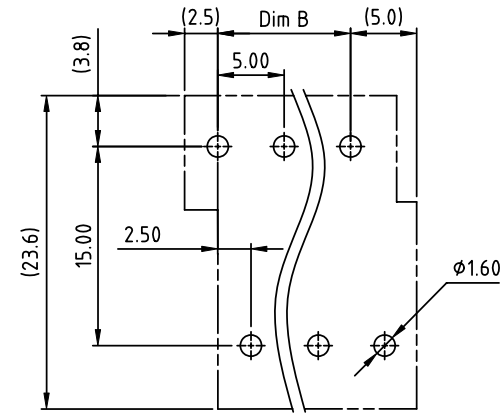
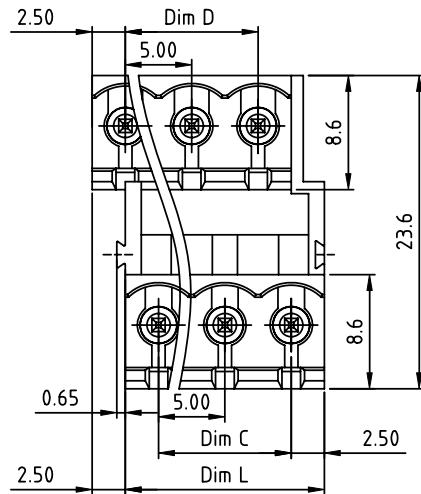
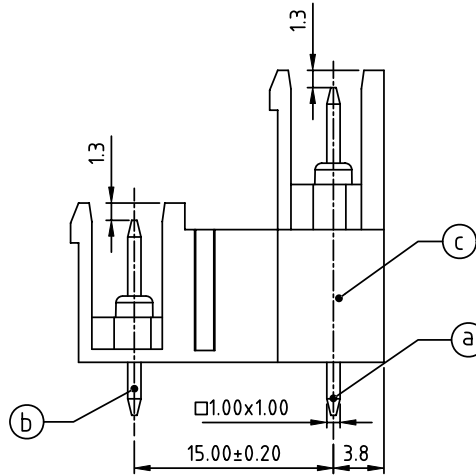
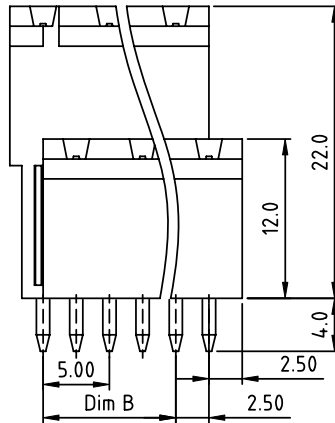


PRODUCT NUMBER	PITCH
VFxx70x000J0G	5.00 mm



RECOMMENDED P.C.B LAYOUT
TOP VIEW



Material:

- Item (a) Short pin: Copper, Tin plated
- Item (b) Long pin: Copper, Tin plated
- Item (c) Terminal (housing): Thermoplastic (UL94V-0)

Electrical cULus

- Voltage rating: 300VAC
- Current rating: 10A
- Withstanding Voltage: 1.6KV
- Operating temperature: -40°C to +115°C
- Soldering temperature: 260°C±5°C/5 Sec
- Safety Approval: cULus

PART NO.: VF xx 70 x 0 00J0 G

N=Number of poles

Dimension	
Dim L	N/2×5.0
Dim B	(N/2-1)×5.0
Dim C	(N/2-1)×5.0
Dim D	(N/2-1)×5.0

Poles	Tolerance
2×2P-2×5P	±0.15
2×6P-2×10P	±0.20
2×11P-2×15P	±0.25
2×16P-2×20P	±0.30
2×21P-2×24P	±0.35

	Color	RoHS compliant (lead<4% In copper Alloy)
Solid block	0 Black (RAL9005)	
No. of poles	2 Red (RAL3001/D)	
04 2x2poles	3 Orange(RAL2011/P)	
06 2x3poles	4 Yellow(RAL1018/A)	
...	5 Green(RAL6018/T)	
48 2x24poles	6 Blue (RAL5015/A)	
	8 Grey(RAL7035/D)	
	9 White(RAL1102)	
	C Green(RAL6018/U)	

mat'l. code				surface ASME Y14.5	tolerance ASME Y14.5	projection	product family
ltr	ecn	no	dr	date	tolerances unless otherwise specified	MM	TERMINAL BLOCK
					angles	scale	title
					dr	scale	TERMINAL BLOCK
					enr	scale	PLUGGALBLE SOCKET,OPEN TYPE,VERTICAL
					chr	scale	dwg no
					appd	scale	VFxx70x000J0G
						scale	sheet 1 of 1
						scale	size
						scale	A4
						scale	type
						scale	CUSTOMER Drawing
sheet index	revision	A					
	sheet	1					