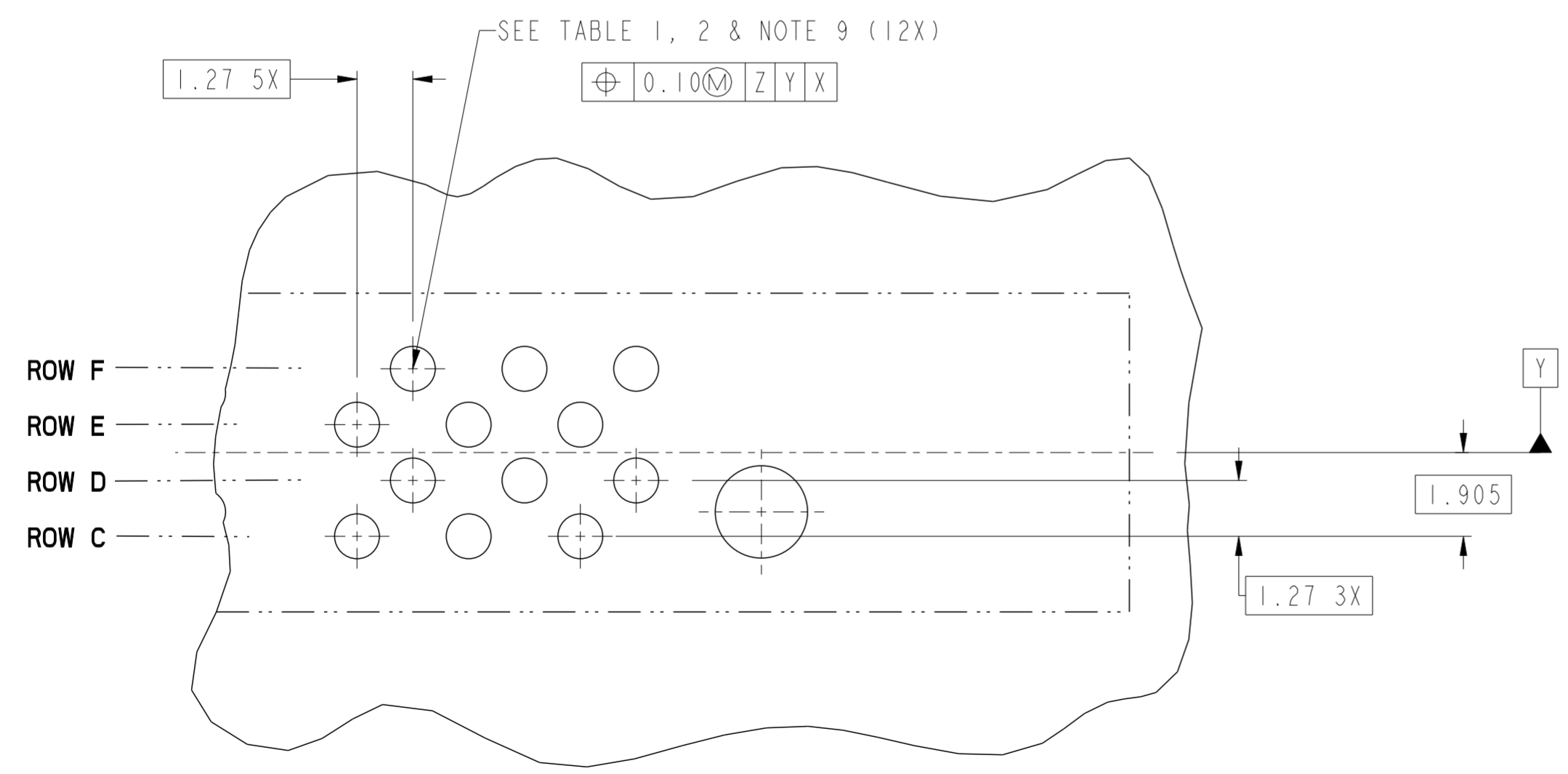
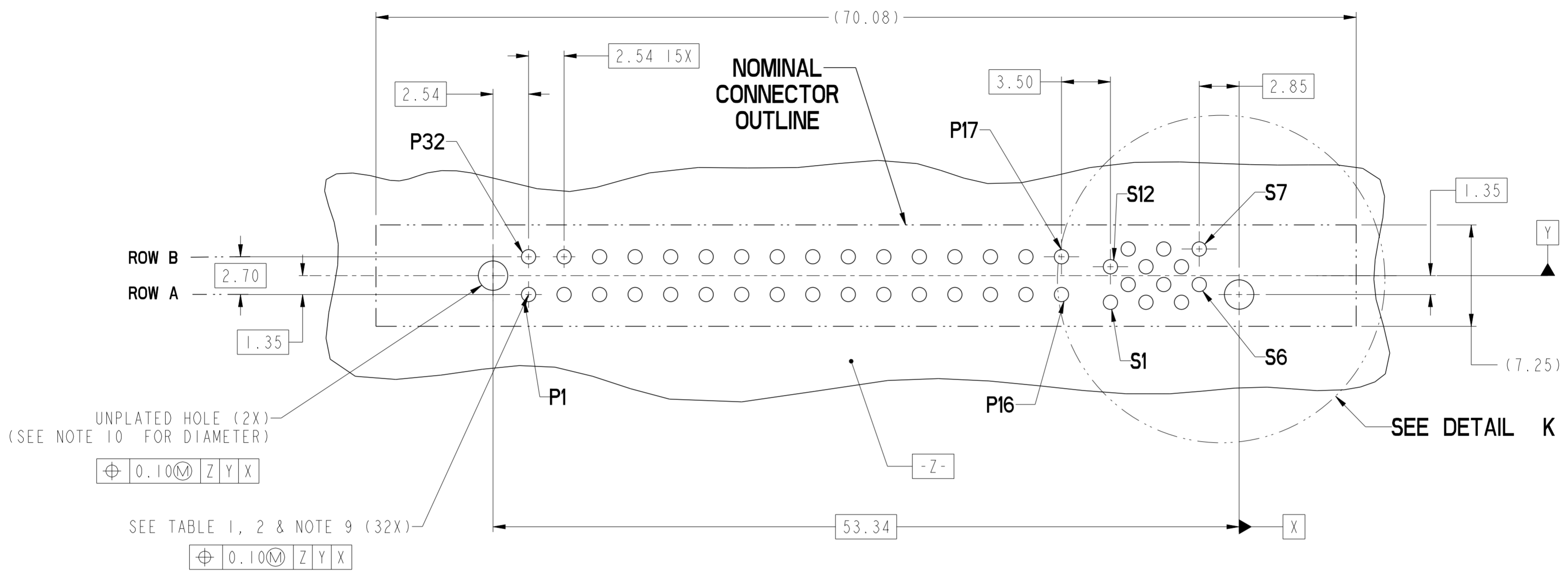
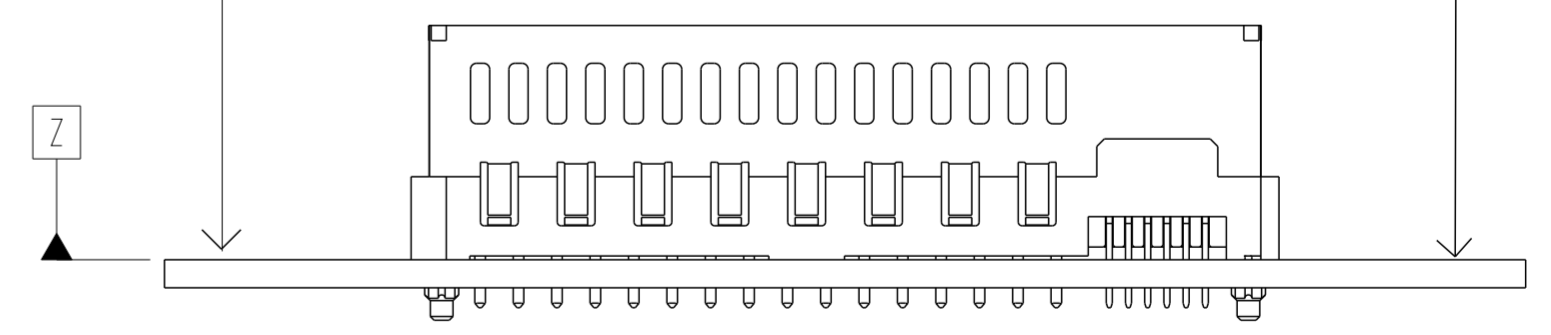


rev	ecn no	dr	date	spec ref	dr	2011/04/06	projection	MM	size	A2	scale	4:1
A	---	HZ	2011-07-03	tolerance std	eng	2011/12/15			ecn no	ELX-DG-008860-1	rel level	Released
B	ELX-DG-008860-1	HZ	2011-12-15	ASME Y14.5	chr	2011/12/15						
				TOLERANCES UNLESS OTHERWISE SPECIFIED	apppr	2011/12/15	product family	CARD EDGE	rel level	Blue		
				surface	linear	0.X	±0.30			<b>VERT RECT (32P 12S)</b>		10117936
				ASME Y14.5	angular	0°	±2°	<b>HIGH POWER CARD EDGE</b>		cat. no.	Product - Customer Drw	



**DETAIL K**  
**SCALE 8:1**

**RECOMMENDED PCB LAYOUT  
VIEWED FROM CONNECTOR SIDE**

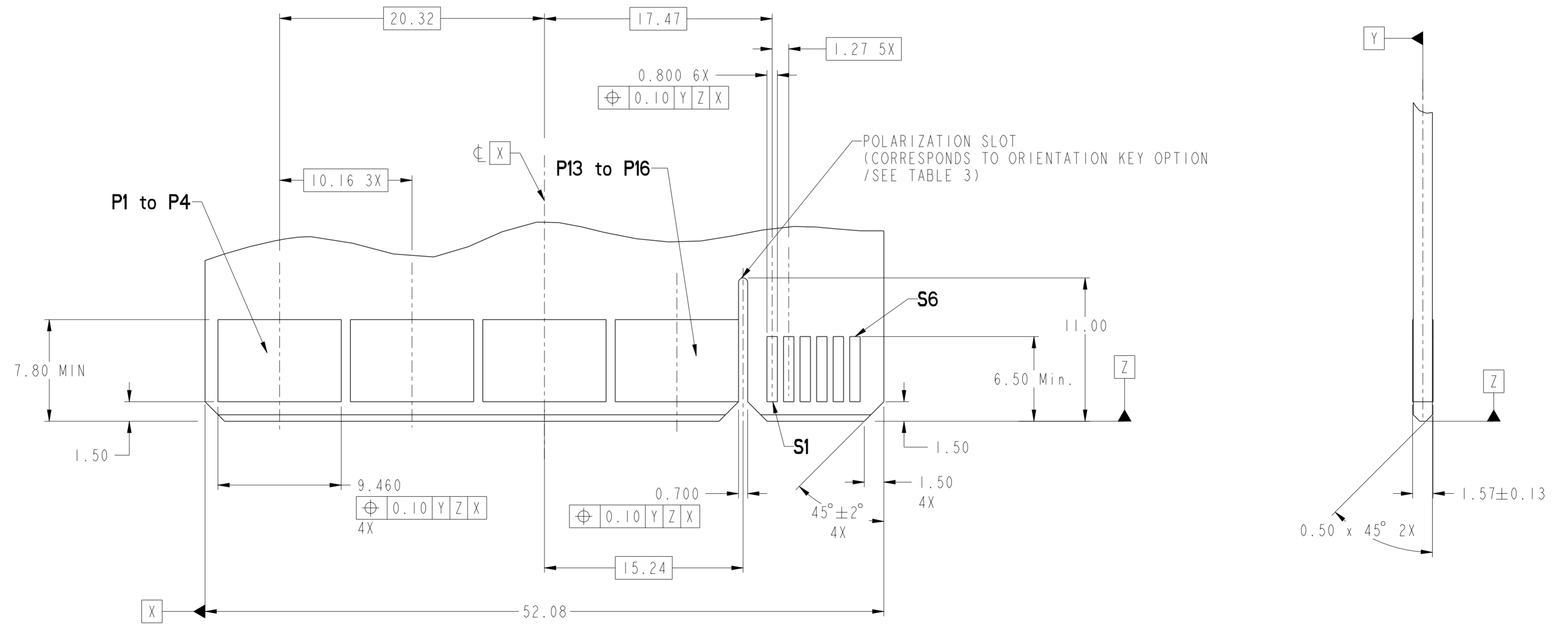


dr	Wei-Long Zhang	2011/04/06	projection	MM	size	A2	scale	4:1	
eng	Wei-Long Zhang	2011/12/15			ecn no	ELX-DG-008860-1			
chr	Jon Qin	2011/12/15			rel level	Released			
appr	Pei-Ming Zheng	2011/12/15	product family	CARD EDGE		rel level	Released		
		title	VERT RECT (32P 12S) HIGH POWER CARD EDGE			dwg no	10117936		
www.fci.com		cat. no.	-			Product - Customer Drw	sheet 2 of 4	rev	B

CONTACT TYPE	TOP LAYER DESCRIPTION	TABLE 1 (HPCE / SOLDER TAILS) PLATED THROUGH-HOLE REQUIREMENTS				
		DRILLED HOLE DIAMETER	COPPER THICKNESS	TIN-LEAD THICKNESS	TIN THICKNESS	FINISHED HOLE DIAMETER
POWER & SIGNAL	TIN-LEAD	1.10-1.16 (1.15 DRILL)	0.025 - 0.050	0.005 - 0.015	--	0.94 - 1.10
	IMMERSION TIN	1.10-1.16 (1.15 DRILL)	0.025 - 0.050	--	0.9 - 1.5um	0.94 - 1.10
	COPPER (SEE NOTE 8)	1.10-1.16 (1.15 DRILL)	0.025 - 0.050	--	--	0.94 - 1.10

CONTACT TYPE	TOP LAYER DESCRIPTION	TABLE 2 (HPCE / PRESS-FIT TAILS) PLATED THROUGH-HOLE REQUIREMENTS				
		DRILLED HOLE DIAMETER	COPPER THICKNESS	TIN-LEAD THICKNESS	TIN THICKNESS	FINISHED HOLE DIAMETER
POWER & SIGNAL	TIN-LEAD	0.81-0.86 (0.85 DRILL)	0.025 - 0.050	0.005 - 0.015	--	0.65 - 0.80
	IMMERSION TIN	0.81-0.86 (0.85 DRILL)	0.025 - 0.050	--	0.9 - 1.5um	0.70 - 0.80
	COPPER (SEE NOTE 8)	0.81-0.86 (0.85 DRILL)	0.025 - 0.050	--	--	0.70 - 0.80



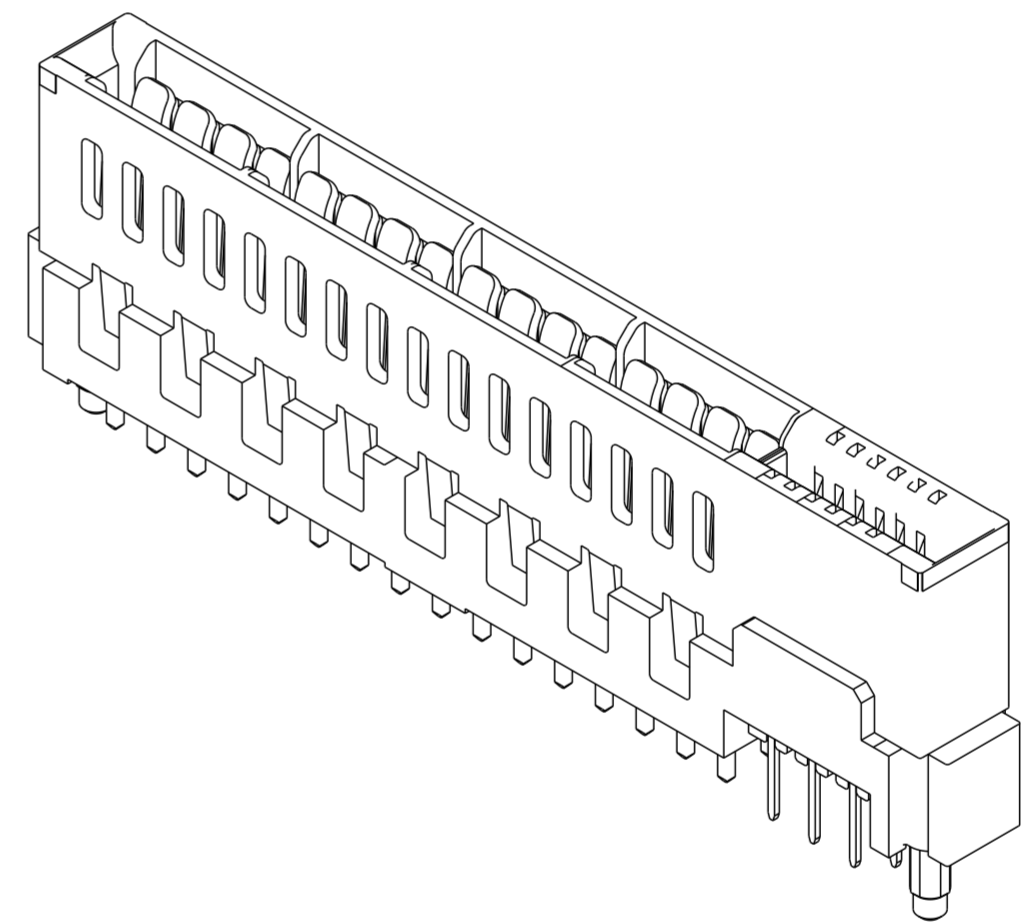
**RECOMMENDED MATING BOARD FOOTPRINT**

dr	Wei-Long Zhang	2011/04/06	projection	MM	size	A2	scale	4:1
eng	Wei-Long Zhang	2011/12/15		MM	ecn no	ELX-DG-008860-1	rel level	Released
chr	Jon Qin	2011/12/15						
appr	Pei-Ming Zheng	2011/12/15	product family	CARD EDGE				
			title	VERT RECT (32P 12S) HIGH POWER CARD EDGE		dwg no	10117936	
www.fci.com			cat. no.	-		Product - Customer Drw	sheet 3 of 4	

Copyright FCI. FCI

HPCE PART NUMBER (TABLE 3)

PART NUMBER	TAIL TYPE	ORIENTATION KEY	DIM "A" TYPICAL TAIL LENGTH	DIM "B" RECOMMENDED BOARD THICKNESS
10117936-001LF	SOLDER	YES	3.17 ±0.25	1.59 - 2.38
10117936-002LF	SOLDER	NO		
10117936-003	PRESS-FIT	YES	3.17 ±0.25	1.6 MIN
10117936-003LF	PRESS-FIT	YES		
10117936-004	PRESS-FIT	NO		
10117936-004LF	PRESS-FIT	NO		



NOTES:

1. CONNECTOR MATERIALS:  
 HOUSING: HIGH TEMPERATURE THERMAL PLASTIC, BLACK  
 UL 94V-0 COMPLIANT  
 CONTACTS: HIGH PERFORMANCE COPPER ALLOY.
2. CONTACT FINISH REF. GS-12-604 SECTION 5.2.
3. PRODUCT SPECIFICATION: GS-12-604.
4. APPLICATION SPECIFICATION: GS-20-128.
5. PRODUCT MARKING (FCI - PART NUMBER & DATE CODE) ON HOUSING IN AREA SHOWN.
6. PACKAGING MEETS FCI SPECIFICATION GS-14-937.
7. HOUSING COMPONENT WILL WITHSTAND EXPOSURE TO 260°C PEAK TEMPERATURE FOR 60 SECONDS IN A CONVECTION, INFRA-RED, OR VAPOR PHASE REFLOW OVEN.
8. COPPER PLATING THICKNESS IN CENTER OF VIA-HOLE CAN BE NO MORE THAN 0.003 LESS THAN OTHER AREAS.
9. ALL HOLE SIZES ARE FINISHED HOLE SIZES.
10. MOUNTING HOLES ARE UNPLATED  
 Ø 2.40 +/- 0.1 FOR PRESS-FIT TAILS  
 Ø 2.10 +/- 0.1 FOR SOLDER TAILS

dr	Wei-Long Zhang	2011/04/06	projection	MM	size	A2	scale	4:1
eng	Wei-Long Zhang	2011/12/15			ecn no	ELX-DG-008860-1	rel level	Released
chr	Jon Qin	2011/12/15						
appr	Pei-Ming Zheng	2011/12/15	product family	CARD EDGE	dwg no	10117936	rev	B
www.fci.com			cat. no.	-	Product - Customer Drw	sheet 4 of 4		