

Sensor/Actuator cable - SAC-5P-M12MS/1,5-600/M12FS HD - 1404065

Please be informed that the data shown in this PDF Document is generated from our Online Catalog. Please find the complete data in the user's documentation. Our General Terms of Use for Downloads are valid (<http://download.phoenixcontact.com>)



Sensor/Actuator cable, 5-position, PP-EPDM halogen-free, Gray RAL 7035, Plug straight M12, A-coded, on Socket straight M12, A-coded, Cable length: 1.5 m, Hygienic design, With high-grade steel knurl



Key commercial data

| | |
|------------------------|---|
| Packing unit | 0 |
| Minimum order quantity | 1 |
| GTIN |  4 046356 678025 |
| Custom tariff number | 85444290 |
| Country of origin | POLAND |

Technical data

General data

| | |
|---------------------------------|---|
| Rated current at 40°C | 4 A |
| Rated voltage | 60 V |
| Number of positions | 5 |
| Volume resistance | ≤ 5 mΩ |
| Insulation resistance | ≥ 100 MΩ |
| Length of cable | 1.5 m |
| Ambient temperature (operation) | -40 °C ... 105 °C (Male connector / female connector) |

General characteristics

| | |
|-----------------------------|---------------------------------------|
| Standards/regulations | M12 plug-in connector IEC 61076-2-101 |
| Coding | A - standard |
| Surge voltage category | II |
| Pollution degree | 3 |
| Degree of protection | IP65/IP68/IP69K |
| Insertion/withdrawal cycles | ≥ 100 |
| Torque | 0.4 Nm (M12 plug-in connector) |
| Contact material | CuSn |

Sensor/Actuator cable - SAC-5P-M12MS/1,5-600/M12FS HD - 1404065

Technical data

General characteristics

| | |
|--------------------------|------------------|
| Contact surface material | Ni/Au |
| Contact carrier material | PP |
| Material of grip body | PP |
| Material, knurls | High-grade steel |
| Sealing material | FKM |
| Status display | No |

Conductor data

| | |
|---|---|
| Cable type | Halogen-free PP gray |
| Cable type (abbreviation) | 600 |
| Cable abbreviation | Li9Y9Y |
| Conductor cross section | 5x 0.34 mm ² (signal line) |
| AWG signal line | 22 |
| Conductor structure signal line | 42x 0.10 mm |
| Core diameter including insulation | 1.27 mm ±0.02 mm (signal line) |
| Thickness, insulation | ≥ 0.21 mm (Core insulation) |
| Wire colors | Brown, white, blue, black, gray |
| Overall twist | 5 cores, twisted |
| Length of twist, overall twist | 55 mm |
| External sheath, color | Gray RAL 7035 |
| Outer sheath thickness | Approx. 0.7 mm |
| External cable diameter D | 5 mm ±0.15 mm |
| Minimum bending radius, fixed installation | 5 x D |
| Minimum bending radius, flexible installation | 10 x D |
| Cable weight | 34 kg/km |
| Outer sheath, material | PP-EPDM |
| Material conductor insulation | PP |
| Conductor material | Bare Cu litz wires |
| Conductor resistance | 58 Ω/km (At an ambient temperature of 20°C) |
| Nominal voltage, conductor | ≤ 300 V AC |
| Test voltage, conductor | ≥ 3000 V AC |
| Special properties | FDA compliant |
| Halogen-free | in accordance with DIN VDE 0472 part 815 |
| Ambient temperature (operation) | -40 °C ... 105 °C (cable, fixed installation) |

Classifications

ETIM

| | |
|----------|----------|
| ETIM 3.0 | EC001855 |
| ETIM 4.0 | EC001855 |
| ETIM 5.0 | EC001855 |

Sensor/Actuator cable - SAC-5P-M12MS/1,5-600/M12FS HD - 1404065

Classifications

UNSPSC

| | |
|---------------|----------|
| UNSPSC 11 | 31251501 |
| UNSPSC 12.01 | 31251501 |
| UNSPSC 13.2 | 31251501 |
| UNSPSC 6.01 | 31251501 |
| UNSPSC 7.0901 | 31251501 |

eCl@ss

| | |
|------------|----------|
| eCl@ss 4.0 | 27060306 |
| eCl@ss 4.1 | 27060306 |
| eCl@ss 5.0 | 27061801 |
| eCl@ss 5.1 | 27061801 |
| eCl@ss 6.0 | 27061801 |
| eCl@ss 7.0 | 27061801 |

Accessories

Accessories

Tools

Torque screwdriver - TSD 04 SAC - 1208429



Torque screwdriver, with preset torque of 0.4 Nm and 4 mm hexagonal drive for M12 connectors

Torque screwdriver - TSD-M 1,2NM - 1212224



Torque screw driver, accuracy as per EN ISO 6789 standard, adjustable from 0.3 - 1.2 Nm

Adapter insert - TSD-M SAC-BIT ADAPTER - 1212600



Adapter bit for TSD-M...torque tools, E6.3-1/4" drive with 4 mm hexagon to accommodate SAC bits

Sensor/Actuator cable - SAC-5P-M12MS/1,5-600/M12FS HD - 1404065

Accessories

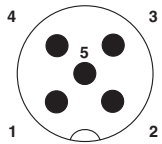
Adapter - SAC BIT M12-W14 - 1212513



SAC nut, for assembling M12 connectors with hexagonal high-grade steel knurl, with 4 mm hexagonal drive

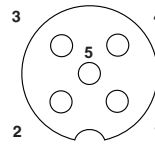
Drawings

Schematic diagram



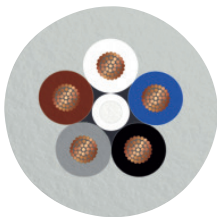
Pin assignment M12 male connector, 5-pos., A-coded, male side

Schematic diagram



Pin assignment M12 socket, 5-pos., A-coded, socket side view

Cable cross section



Halogen-free PP gray [600]

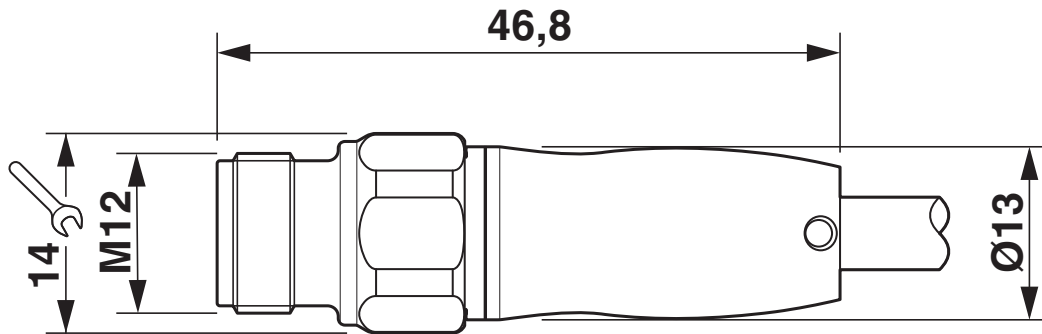
Circuit diagram



Contact assignment of the M12 connector and the M12 socket

Sensor/Actuator cable - SAC-5P-M12MS/1,5-600/M12FS HD - 1404065

Dimensioned drawing



Sensor/Actuator cable - SAC-5P-M12MS/1,5-600/M12FS HD - 1404065

Dimensioned drawing

