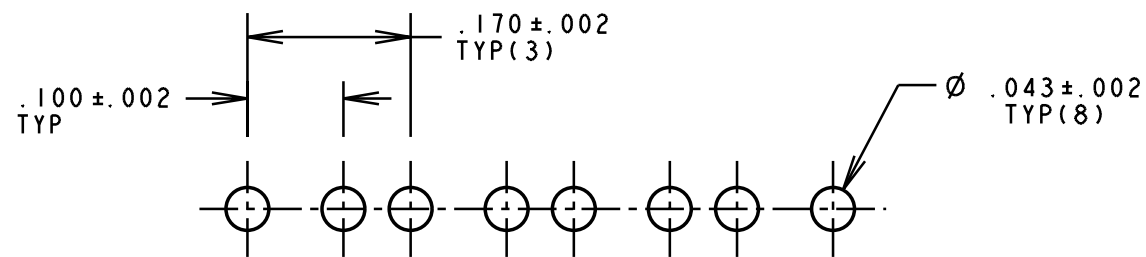
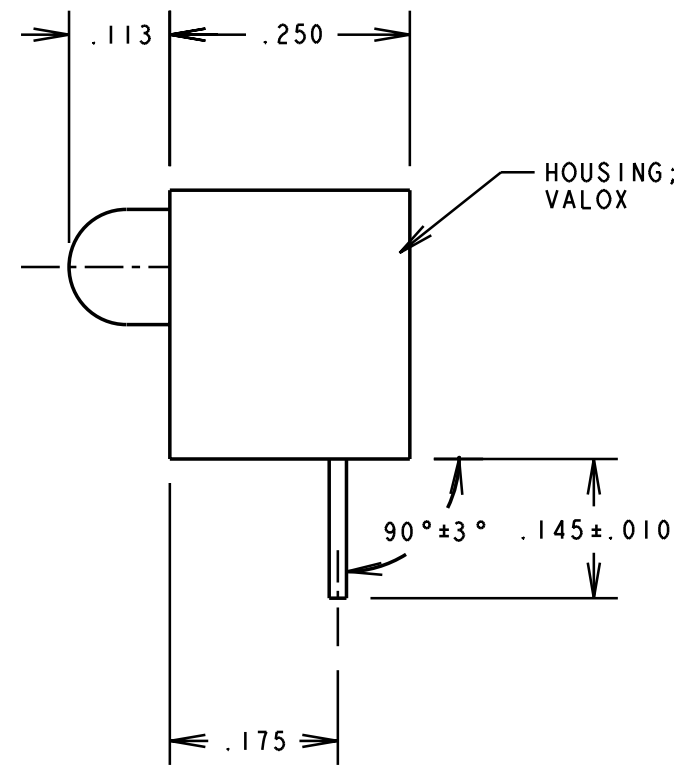
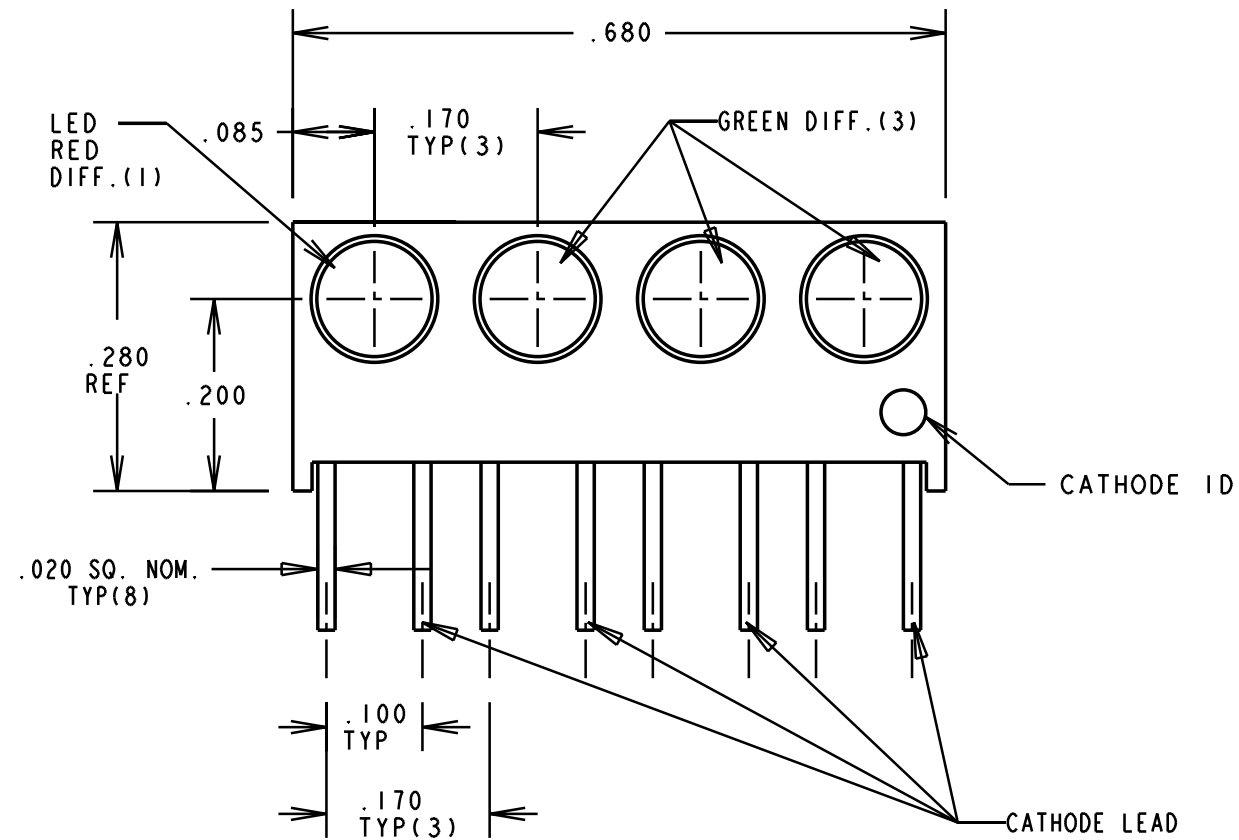
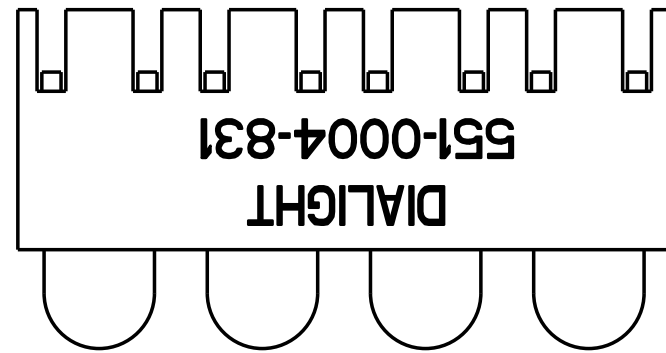


REV.	ECN NO.	REVISIONS	DRN.	CKD.	APP.	DATE
A		NEW RELEASE	DC			



RECOMMENDED PC BOARD HOLE PATTERN

NOTES:

- LEADS TO FIT INTO HOLES SPACED AS PER HOLE PATTERN.
- LED LEAD DIMENSIONS SHOWN ARE MEASURED AT HOUSING EXIT.
- DIALIGHT PART NUMBER: 551-0004-831.

OPERATING CHARACTERISTICS AT  $T_A = 25^\circ\text{C}$

SYMBOL	PARAMETER	COLOR	MIN	TYP	MAX	UNITS	TEST COND.
$V_F$	FORWARD VOLTAGE	RED		2.0	3.0	V	$I_F = 10\text{mA}$
		GREEN		2.1	3.0		
$V_R$	REVERSE VOLTAGE	ALL	3			V	$I_R = 10\mu\text{A}$
$\lambda_{PK}$	PEAK WAVELENGTH	RED		650		nm	
		GREEN		563			
$I_V$	LUMINOUS INTENSITY	RED	3.6	10		mcd	$I_F = 10\text{mA}$
		GREEN	5.6	16.0			

THIS DRAWING AND THE CONTENTS HEREIN ARE CONFIDENTIAL AND THE SOLE PROPERTY OF DIALIGHT. REPRODUCTION OF THIS DRAWING OR CONSTRUCTION OF ANY PARTS WITHIN THIS DRAWING ARE FORBIDDEN WITHOUT THE WRITTEN CONSENT OF DIALIGHT.

SCALE 5:1	DRAWING NUMBER	REV
ALL DIM'S IN: INCHES	C-16560	A
TOLERANCES: UNLESS OTHERWISE SPECIFIED	TITLE	
FRACTIONS: $\pm 1/64$	3mm QUAD LED CBI	
DECIMALS (.XX): $\pm .020$	MATERIAL	
DECIMALS (.XXX): $\pm .015$	Dialight	
ANGLES: $\pm 3^\circ$	1913 ATLANTIC AVE. MANASQUAN, N.J. 08736	
FINISH:	FSCM 83330	SHEET OF FAMILY TABLE: