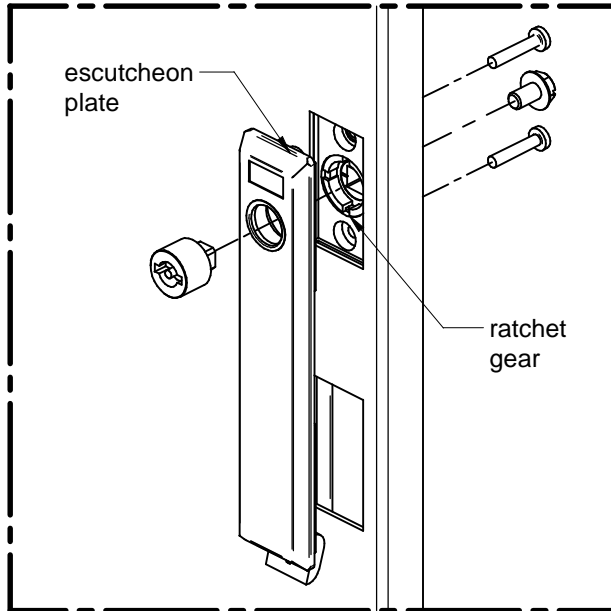


# HMEHSL/PL - SERIES

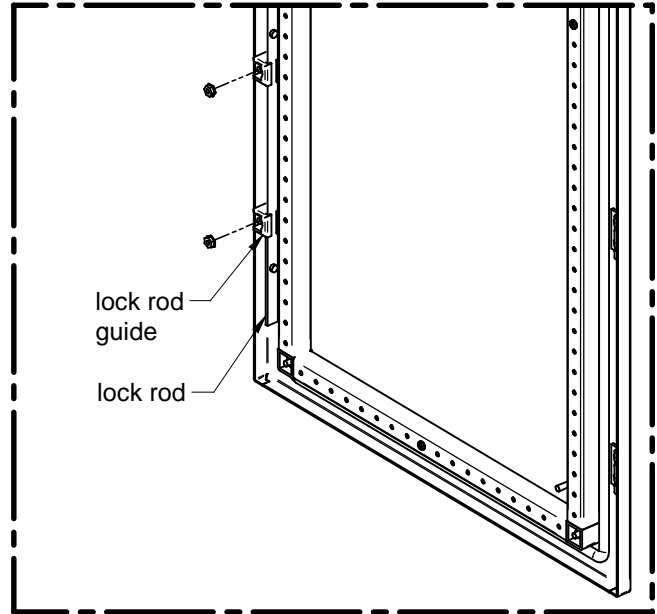
BUL86338

REV. B

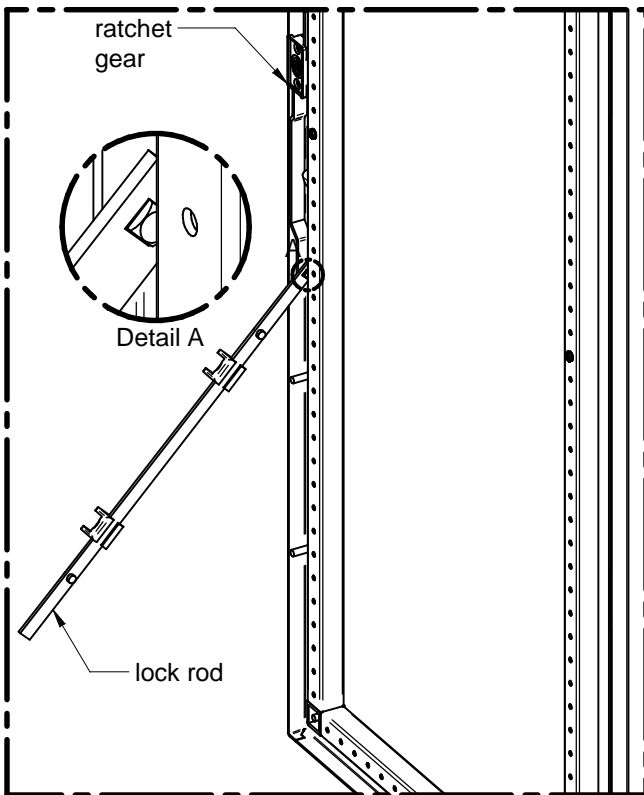
## ASSEMBLY INSTRUCTIONS FOR HMEHSL/PL SWING HANDLE



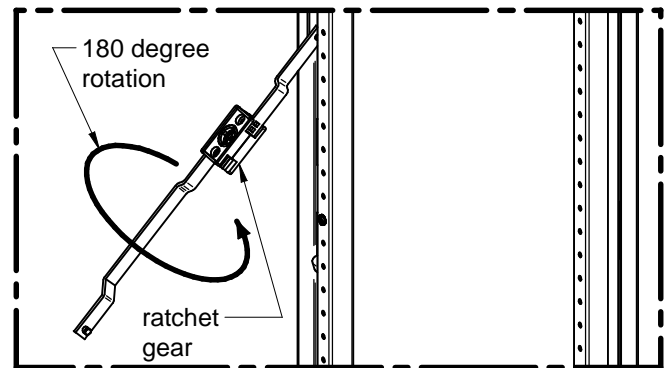
Step 1



Step 2



Step 3



Step 4

### INSTRUCTION

A) Remove factory installed escutcheon plate (see Step 1).

B) Remove bottom lockrod by first removing nuts from lockrod guides (see Step 2), then rotating the lockrod 45 degrees upwards and dis-engaging lockrod from the ratchet gear (see Step 3).

C) Remove ratchet gear by rotating 45 degrees upwards, dis-engage from the top lockrod then rotate 180 degrees (see Step 4), then re-install ratchet gear with bottom lockrod as shown (see Step 5) and re-install nuts for lockrod guides.

### TOOL BOX



Phillips  
Screw Driver



7/16" (thin wall) Socket  
Wrench

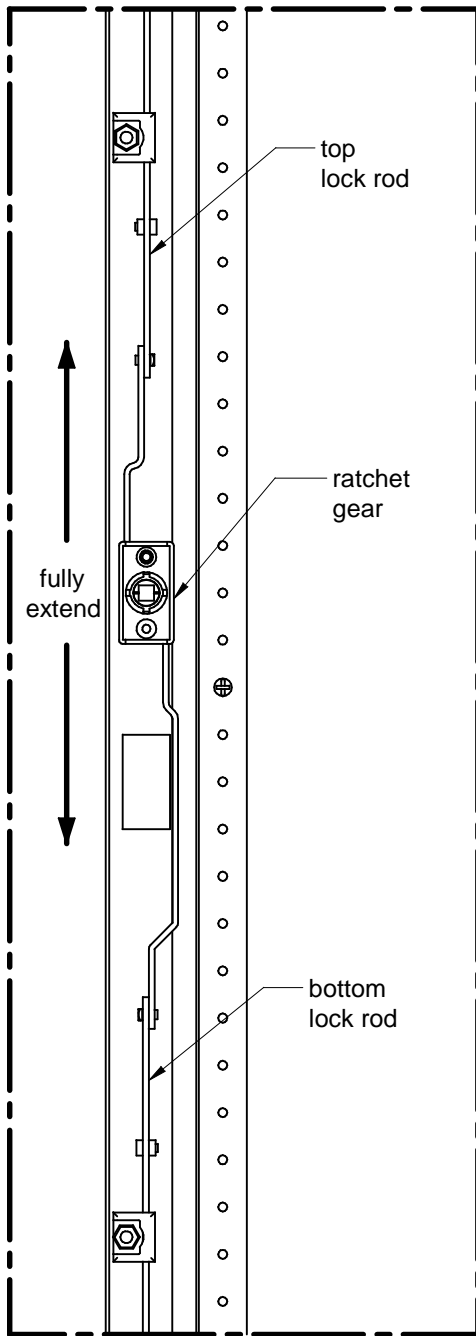


**HAMMOND  
MANUFACTURING™**  
www.hammondmfg.com

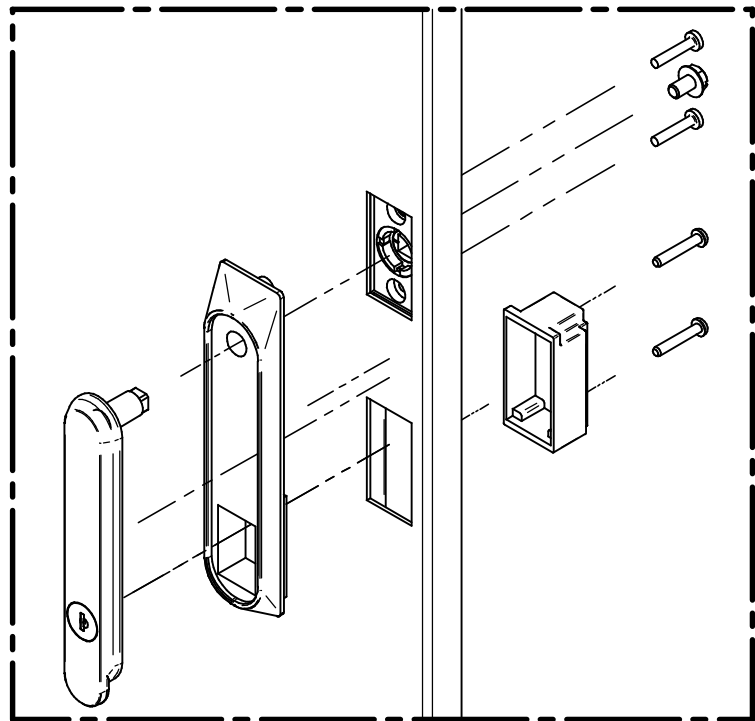
# HMEHSL/PL - SERIES

BUL86338

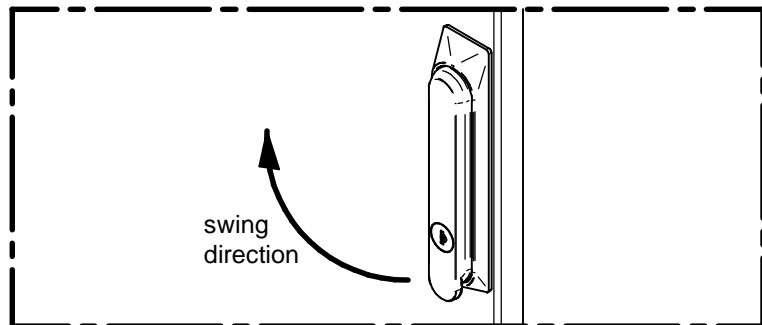
## ASSEMBLY INSTRUCTIONS FOR HMEHSL/PL SWING HANDLE



Step 5



Step 6



Completed Assembly

### INSTRUCTION CONTINUED

D) Before installing swing handle fully extend ratchet gear (see Step 5).

E) Install swing handle as shown (see Step 6).

**Note that with the ratchet gear positioned as shown in Step 5, the swing of the handle will be towards the hinging of the door (inside of the door).**

