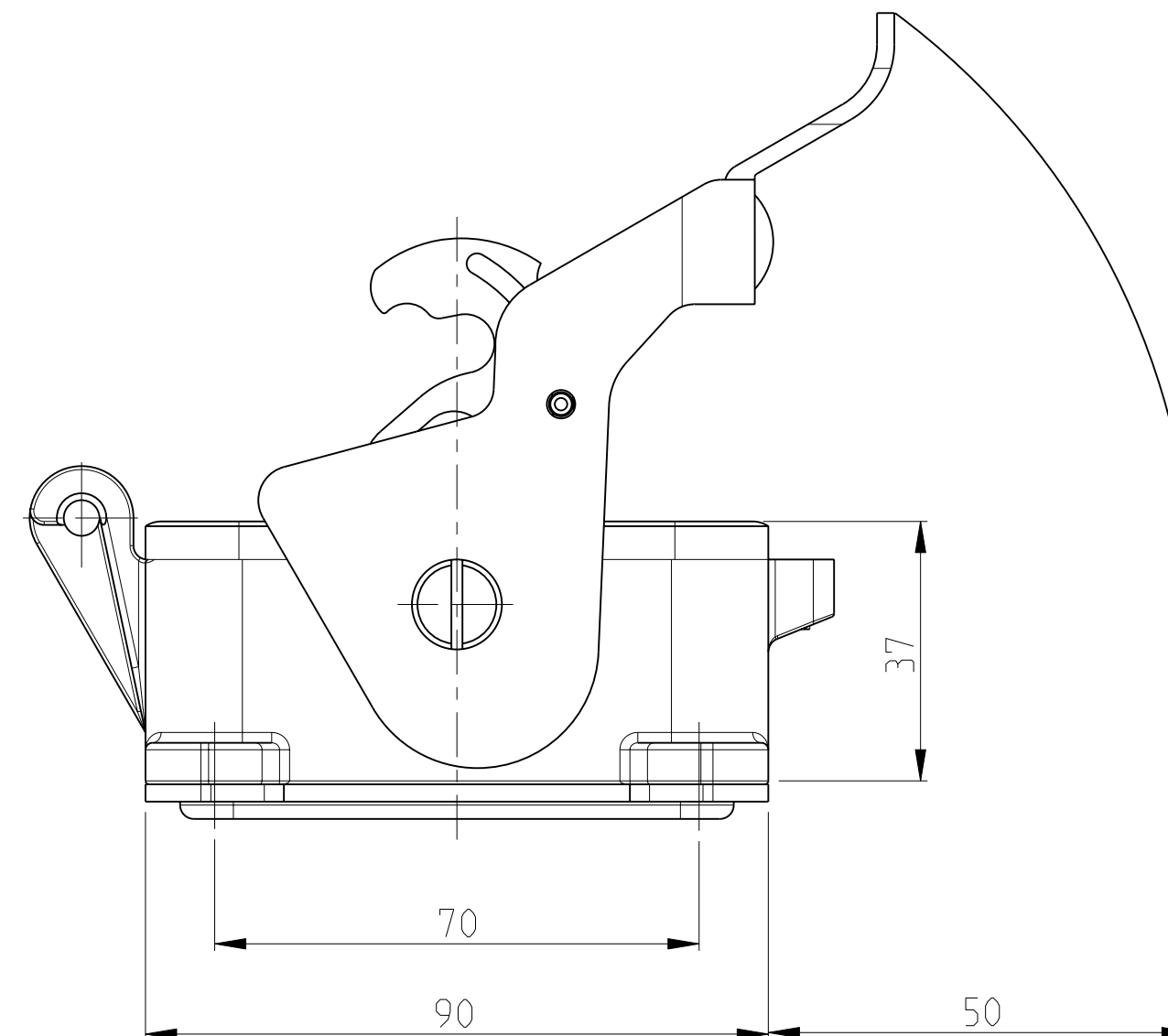
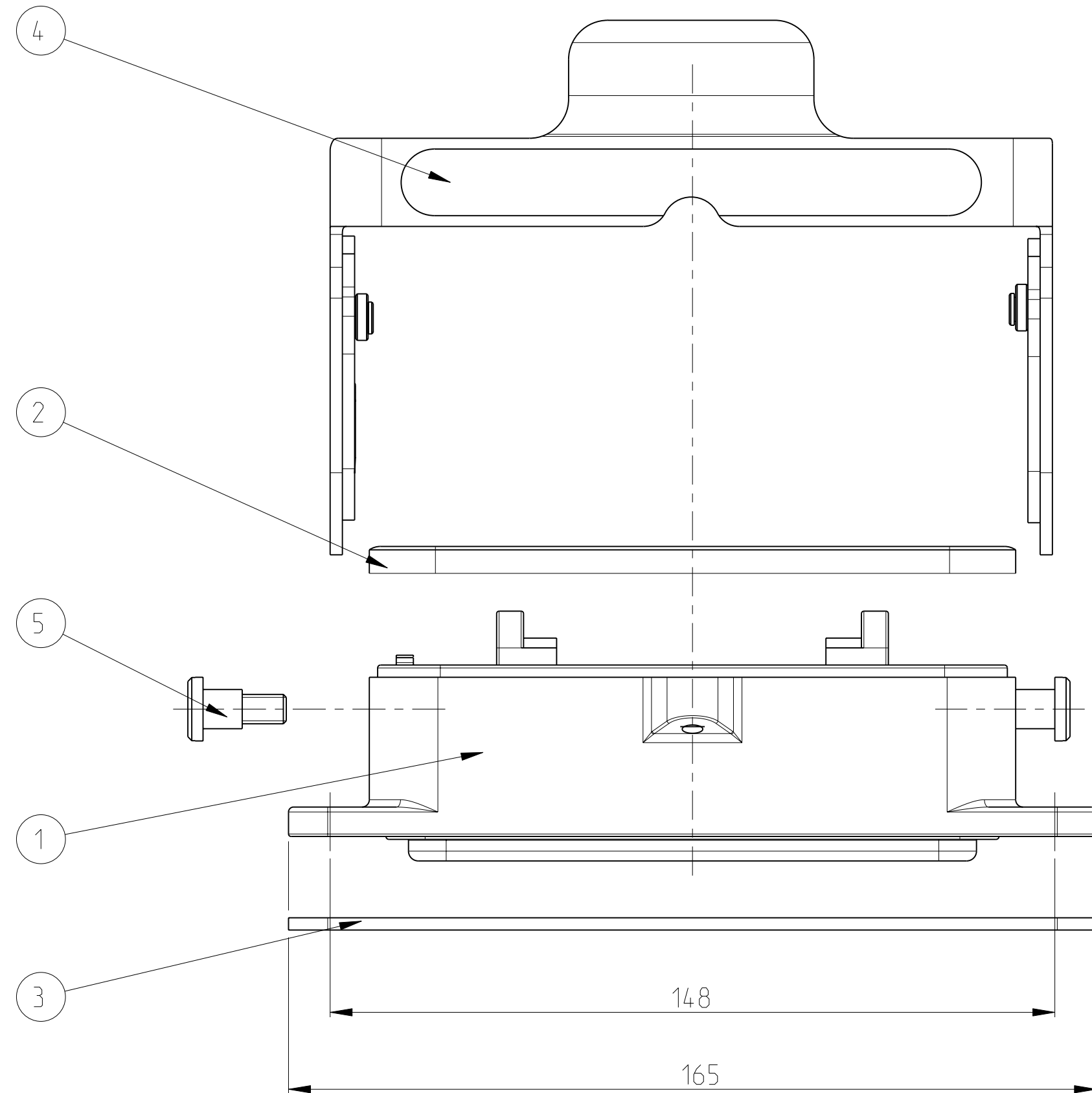


THIS DRAWING IS UNPUBLISHED. RELEASED FOR PUBLICATION 2006
 © COPYRIGHT 2006 BY TYCO ELECTRONICS CORPORATION. ALL RIGHTS RESERVED.

LOC	DIST	REVISIONS			
P	LTR	DESCRIPTION	DATE	DWN	APVD
A3		new pro/E drawing ECR-09-003111	05FEB2009	SR	AR



NOTES

- 1 PART SHALL BE FREE AND CLEAN OF BURRS AND OTHER FOREIGN MATERIAL
- 2 PACKAGING: QUANTITY 3 PIECES
- 3 VARNISHING INSIDE HOUSING NOT REQUIRED

QTY	DESCRIPTION	MATERIAL	SURFACE	COLOR	ITEM	NOTES
2	PAN HEAD SCREW	STAINLESS STEEL	BLANC		6	
1	SIDE CLIP	STAINLESS STEEL	BLANC		5	
1	FLANGED SEAL	NEOPRENE		BLACK	3	
1	PROFILE SEAL	NEOPRENE		BLACK	2	
1	SURFACE MOUNTED HOUSING BOTTOM ENTRY	ALUMINIUM	ALUMINIUM OXID	BLACK	1	

HB-K.48.AG-LB

<small>THIS DRAWING IS A CONTROLLED DOCUMENT FOR TYCO ELECTRONICS CORPORATION IT IS SUBJECT TO CHANGE AND THE CONTROLLING ENGINEERING ORGANIZATION SHOULD BE CONTACTED FOR THE LATEST REVISION.</small>		DWN 05FEB2009 R.SCHNEIDER CHK 05FEB2009 T.SCHNURPFEL	Tyco Electronics tyco Electronics AMP GmbH 53757 Sankt Augustin (Germany)
DIMENSIONS: mm 	TOLERANCES UNLESS OTHERWISE SPECIFIED: 0 PLC ±- 1 PLC ±- 2 PLC ±- 3 PLC ±- 4 PLC ±- ANGLES ±1° FINISH	APVD - PRODUCT SPEC - APPLICATION SPEC - WEIGHT -	NAME HOOD ASSY HB.48 SIZE CAGE CODE DRAWING NO RESTRICTED TO A2 00779 C-1108575 -
MATERIAL -		CUSTOMER DRAWING SCALE 1:1 SHEET 1 OF 1 REV A3	