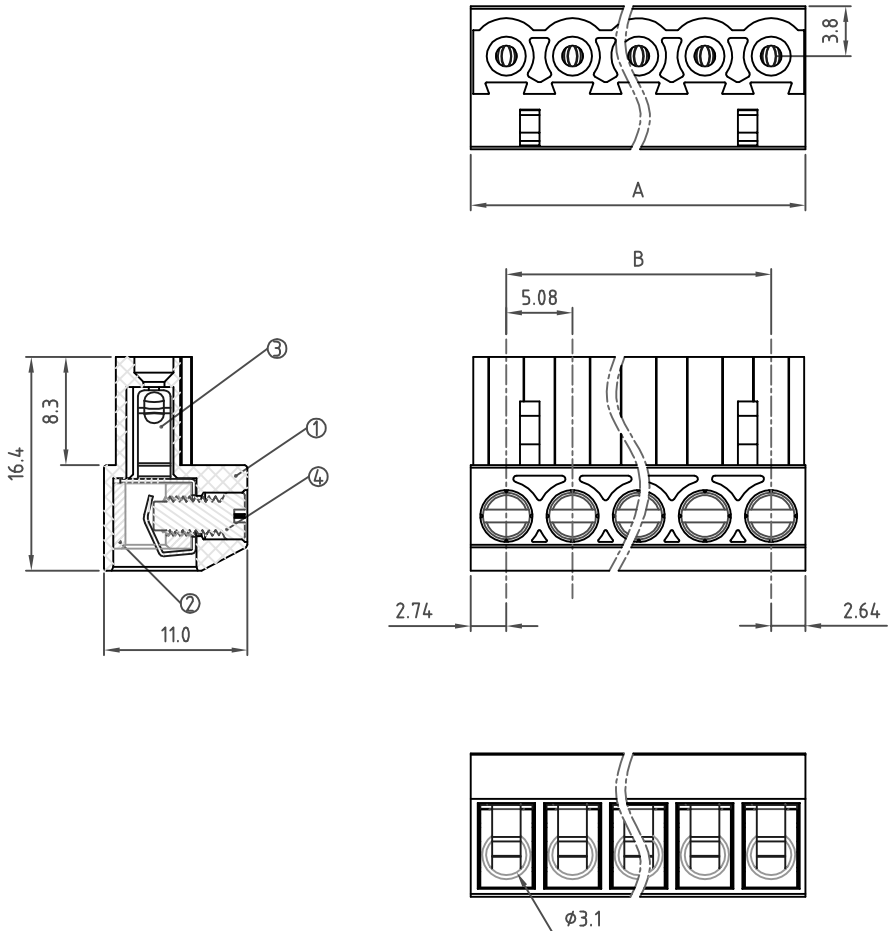


SIGN	DATE	DESCRIPTION	APPROVER
△			
THIS IS CAD DRAWING, DO NOT REVISE MANUALLY!!!			



- Material:
- Item ① Insulator(housing): Thermoplastic (UL94V-0)
 - Item ② Terminal Body: Brass
 - Item ③ Wire guard: PhBz
 - Item ④ Terminal Screw: Steel zinc plated.

- Electrical: UL
- Voltage rating: 300 V
 - Current rating: 15 A
 - Wire range:
 - Solid wire(AWG): 12-22
 - Stranded wire(AWG): 12-22
 - Torque: 4.3 Lbs.-In
 - Screw: M3
 - Wire strip length: 5 mm
 - Withstanding Voltage: 1.6KV
 - Operating temperature: -40°C to +115°C

RoHS Compliant

PART NUMBER:

OSTEZXX5150

- | | |
|--------------|---------------------|
| No. of Poles | COLOR |
| 02 2 Poles | 0: Black |
| 03 3 Poles | 5: Green (Standard) |
| | 6: Blue |
| 24 24 Poles | 8: Grey |

THESE DRAWINGS AND SPECIFICATIONS ARE THE PROPERTY OF ON-SHORE TECHNOLOGY, INC. AND SHALL NOT BE REPRODUCED, COPIED OR USED IN ANY MANNER WITHOUT THE PRIOR WRITTEN CONSENT OF ON-SHORE TECHNOLOGY, INC.

POLE		2	3	4	5	6	7	8	9	10	11	12
A		10.46	15.54	20.62	25.70	30.78	35.86	40.94	46.02	51.10	56.18	61.26
B		5.08	10.16	15.24	20.32	25.40	30.48	35.56	40.64	45.72	50.80	55.88
Tol.		±0.15					±0.20					
POLE	13	14	15	16	17	18	19	20	21	22	23	24
A	66.34	71.42	76.50	81.58	86.66	91.74	96.82	101.90	106.98	112.06	117.14	122.22
B	60.96	66.04	71.12	76.20	81.28	86.36	91.44	96.52	101.60	106.68	111.76	116.84
Tol.		±0.25					±0.30					

OST ON-SHORE TECHNOLOGY, INC.

TITLE	OSTEZ-5.08 Series						
PART NO.	OSTEZXX5150			DWG NO.	OSTEZXX5150.DWG		
APPROVED	CHECKED	DESIGNED	DRAWN	CUST NO.			
		Tony 2007.07.12	Tony 2007.07.12				
					UNIT: mm	Tolerance	
					SCALE: NONE	X.X	±0.30
					SHEET: 01/01	REV.: B	X.XX ±0.10
							X° ±1°