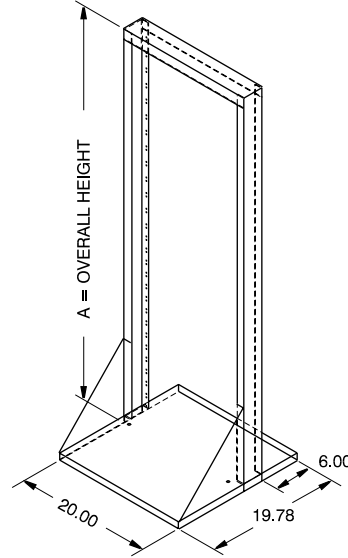


Light Duty - Welded (DNRR Series)



FEATURES

- Suitable for many 19" rack mount applications, providing complete access to equipment
- Nothing to assemble
- 12-gauge steel base & upright channel - welded construction
- Provides an economical option to an enclosed rack
- Engineered for use as a solid, single, freestanding unit
- Choice of 5 popular heights
- Front flange (ONLY) drilled & tapped rails, 10-32, universal EIA spacing (5/8 - 5/8 -1/2 inch)
- Weight load tested (DNRR84LDW) to 840 pounds
- Base is punched to accept four casters (Part number 1425B, 1425BM or 1425BH) - see page 121
- Tough textured black powder finish paint

Tapped - Front Flange Only

Part Number	Panel Height		Overall Height (Inches)	Panel Width (Inches)	Hole Thread
	Inches	Units			
DNRR42LDW	42	24	44.6	19	10-32
DNRR63LDW	63	36	65.6	19	10-32
DNRR70LDW	70	40	72.6	19	10-32
DNRR77LDW	77	44	79.6	19	10-32
DNRR84LDW	84	48	86.6	19	10-32

ACCESSORIES

- Rack panels [Page 82](#)
- Ventilated rack panels [Page 84](#)
- Panel mount doors & chassis [Page 86](#)
- Shelves & slides [Page 87](#)
- Drawers [Page 93](#)
- Cable management [Page 94](#)
- Rack mount outlet strips [Page 102](#)
- Hardware [Page 119](#)