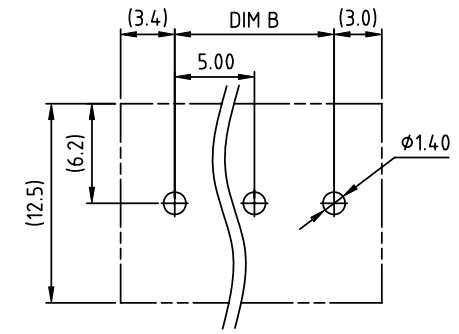
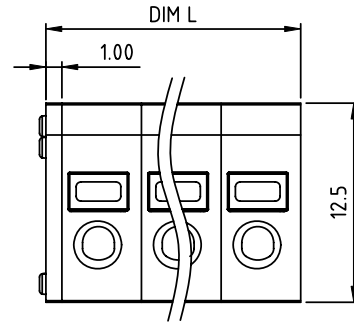
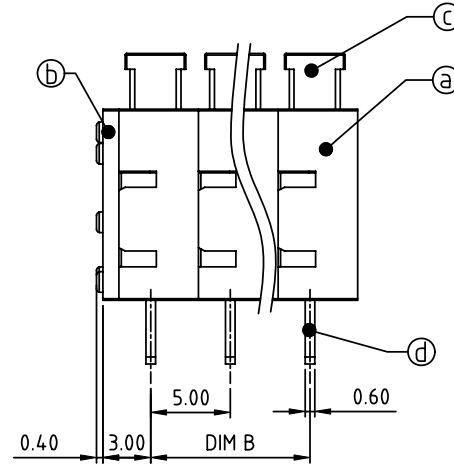
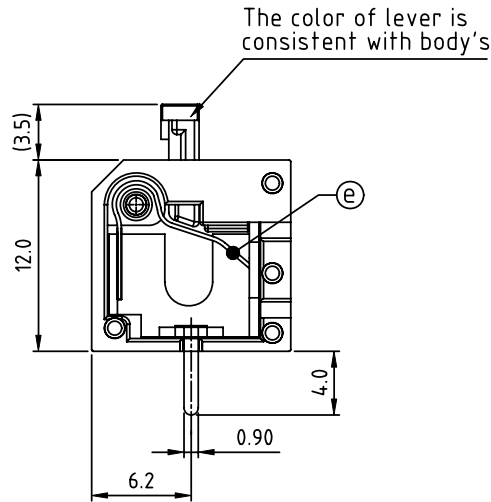


PRODUCT NUMBER	PITCH
HXxx00x000JOG	5.00 mm



RECOMMENDED P.C.B LAYOUT
TOP VIEW



Material:

- Item (a) Insulating body: Thermoplastic (UL94V-0)
- Item (b) Insulating cover: Thermoplastic (UL94V-0)
- Item (c) Insulating lever: Thermoplastic (UL94V-0)
- Item (d) Solder pin: Brass, Tin plated
- Item (e) Spring clamp: Stainless steel

Electrical cULus

- Voltage rating: 300V
- Current rating: 8A
- Wire range:
- Solid wire (AWG): 16-26
- Stranded wire (AWG): 16-26
- Wire strip length: 6-7mm
- Withstanding Voltage: 1.6KV
- Operating temperature: -40°C to +115°C
- Soldering temperature: 260°C ± 5°C / 5 Sec
- Safety Approval:

N=Number of poles
Dim L=(N-1)×5.0+6.0
Dim B=(N-1)×5.0

Poles	Tolerance
1-4p	±0.15
5-9p	±0.20
10-14p	±0.30
15-19p	±0.40
20-24p	±0.50

PART NO.: HX xx 00 x 0 00J0 G

	End stackable	No. of poles	Color	RoHS compliant
0	0	2	Black (RAL9005)	(lead<4%) In copper Alloy
01	1 poles	3	Red (RAL3001/D)	
02	2 poles	4	Orange (RAL2011/P)	
...	...	5	Yellow (RAL1018/A)	
24	24 poles	6	Green (RAL6018/T)	
		8	Blue (RAL5015/A)	
		9	Grey (RAL7004/P)	
		9	White (RAL1102)	
		C	Multiple colors	

mat'l. code		surface ASME Y14.5	tolerance ASME Y14.5	projection 	product family TERMINAL BLOCK
ltr	ecn no	dr	date		title TERMINAL BLOCK SPRING CLAMP, 90D WIRE INLET
tolerances unless otherwise specified					
angles		X.±0.5		scale	dwg no HXxx00x000JOG
X°±1'		X.XX±0.1			
dr	ENGR	chr	appd		size A4
EVIN ZHONG	EVIN ZHONG	HANKE FENG	SHI JUN		type CUSTOMER Drawing
052614	052614	052614	052614		
sheet index	revision sheet	A	1		