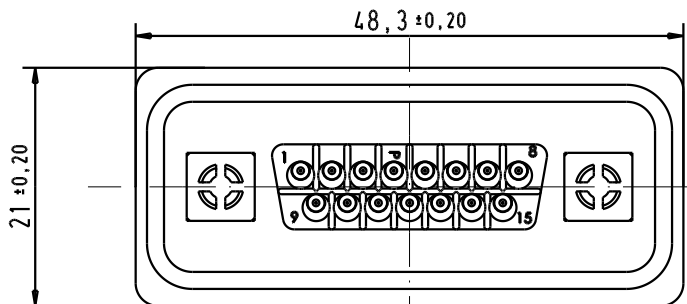
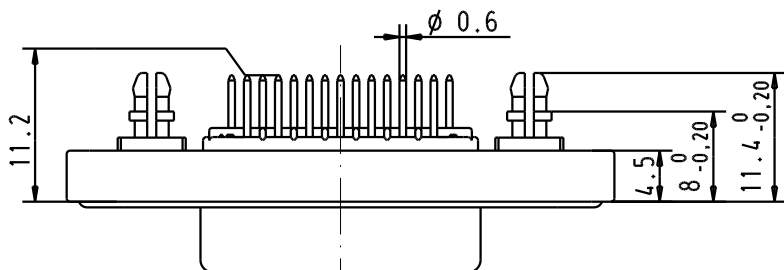
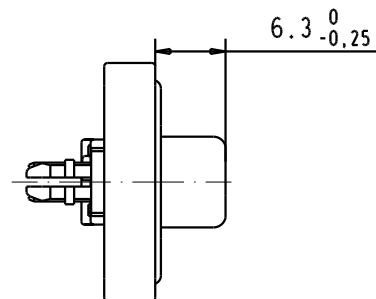
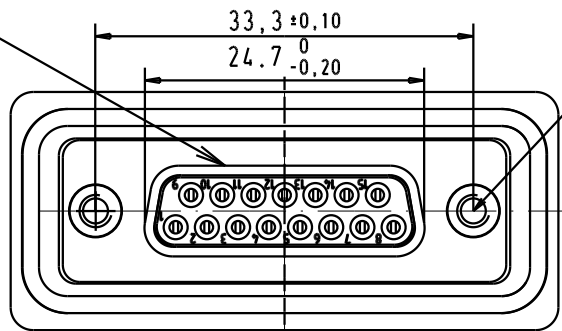


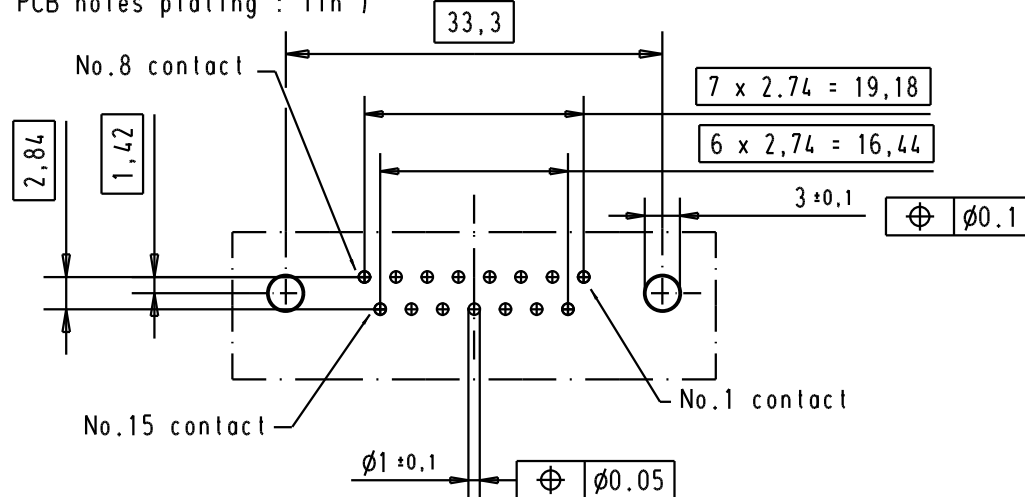
5 4 3 2 1

Mating face according to : MIL-C-24308 / DIN 41652 / CECC 75.01-802





1) Protection standard IP 67 according to IEC 529 / DIN 40050.

PCB layout hole component side  
( PCB holes plating : Tin )



09 67 515 6775	Au plating 0,76 µm mini
Part Number	Performance Level

			Dat.	Name		
			Detail.	08/01/04		S.H.
			Insp.			
			Stand.			
31587	08/01/04	S.H.	HARTING ELEKTRONIK F-95972 Paris			
Mod.	Dat.	Name				

D-SUB IP67 female 15 Poles straight solder pin with 4-40 UNC Spacer and clip		Moßstab/Scale
TB 09 67 515 6775		Blatt/ Page
Sub.		