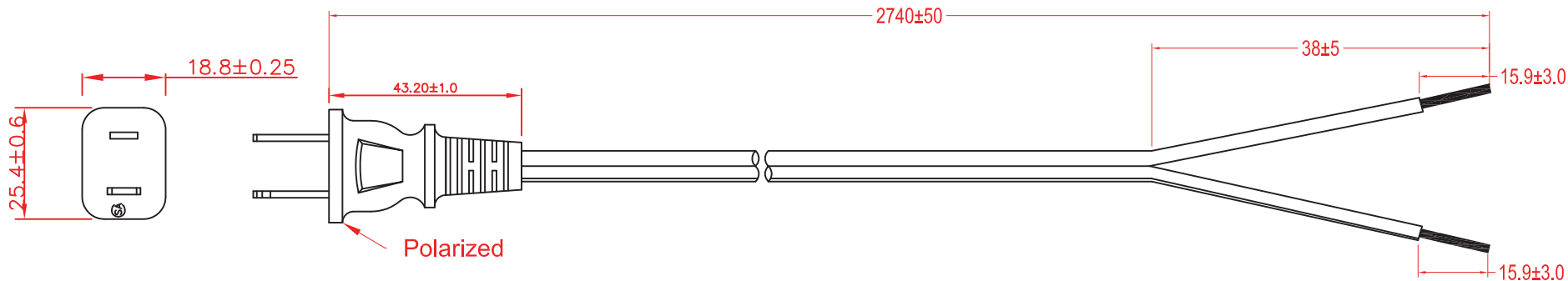


PLUG COMPONENT			PLUG STRIP DIMENSION			END STRIP DIMENSION			END COMPONENT			
COLOR	DESCRIPTION	Q'ty	R.I.J	R.O.J	COLOR	SPT-1 18AWGx2F 60°C Black Length 2740±50	Split	Strip	COLOR	COLOR	DESCRIPTION	TYPE
40P BLACK	IH-101(Polarized)	1	6 <sup>+1</sup> <sub>-0</sub>		Non-Polarized		38±5.0	15.9±3.0	Non-Polarized	Non-Polarized	FULL TINNED	
Nickel-Plated	GEM 98662BBS-1	2	6 <sup>+1</sup> <sub>-0</sub>		Polarized		38±5.0	15.9±3.0	Polarized	Polarized	FULL TINNED	

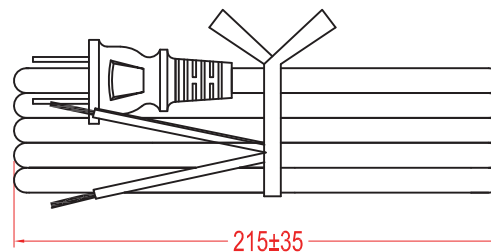


**Material:**

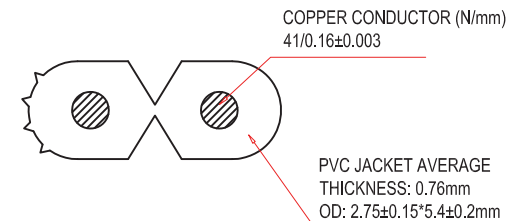
- SPT-1-18AWG(0.824mm<sup>2</sup>) VW-1, 60°C 300V
- Jacket Color: Black
- E - Green; L - Black; N - White

**Electrical:**

- 100% Open & Short Testing
- Insulation Resistance: 100MΩ (min.)
- Voltage: 500V DC / 1 minute



Hank Dimension



Wire Cross section

Unit: mm



Scale	Free				Date	Name	Title
TOLERANCE					Drawn	Wilson	Power cord - SPT-1 (Polarized) 60°C 18AWG Open End, Unshielded 9 feet
X.	±X				Approved	Groll	ASSMANN WSW-No.
X.X	±X						AK500-OE-12-9F
X.XX	±X						Drawing-No.
DIM	TOL						rev00
X.°	±X°						Sheet
X.X°	±X°						1/1
Angle	TOL	Id.	Modification	Date	Name	Replace	

1840 W. Drake Drive, Suite 101 • Tempe, AZ 85283  
Toll Free: 1-877-277-6266 • Email: info@assmann.us